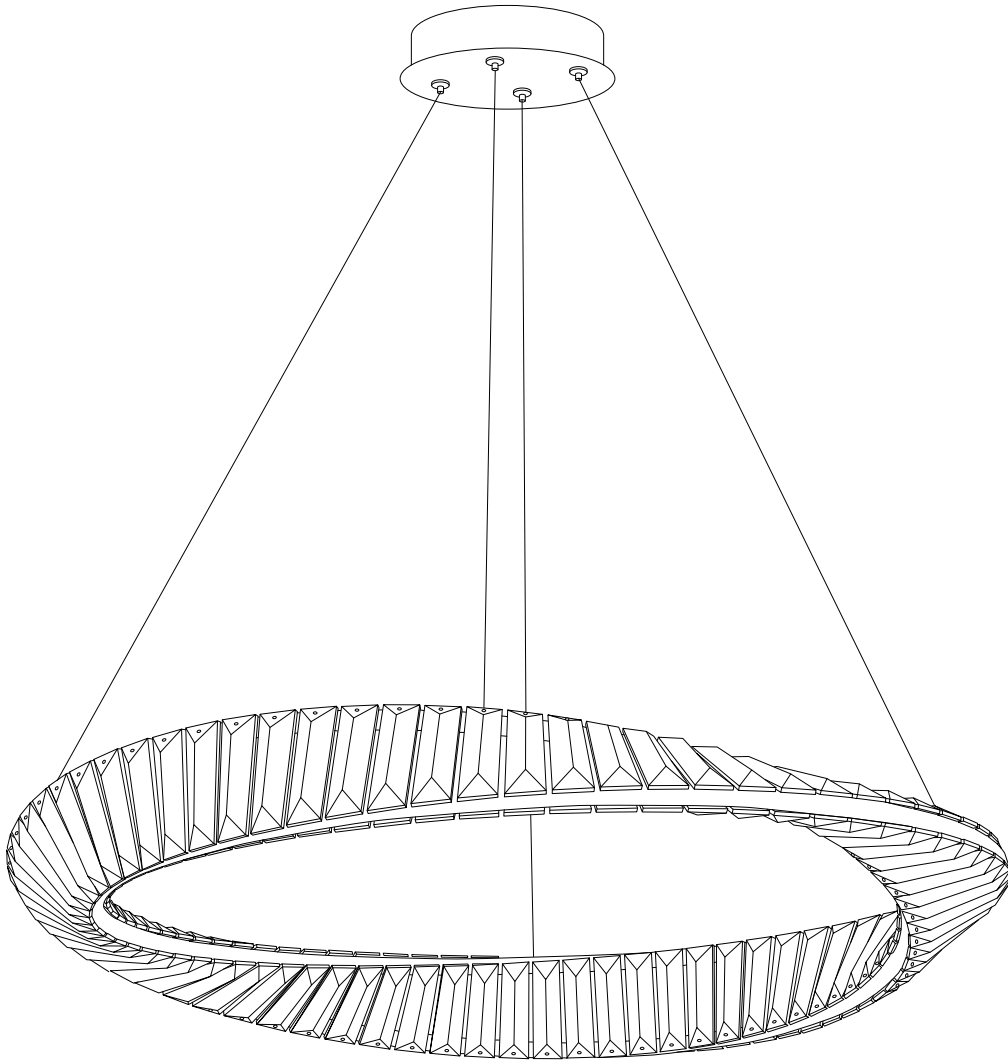
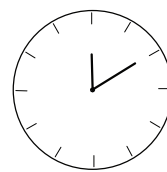
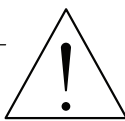
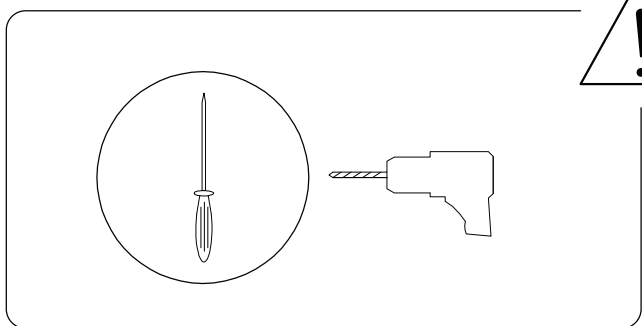
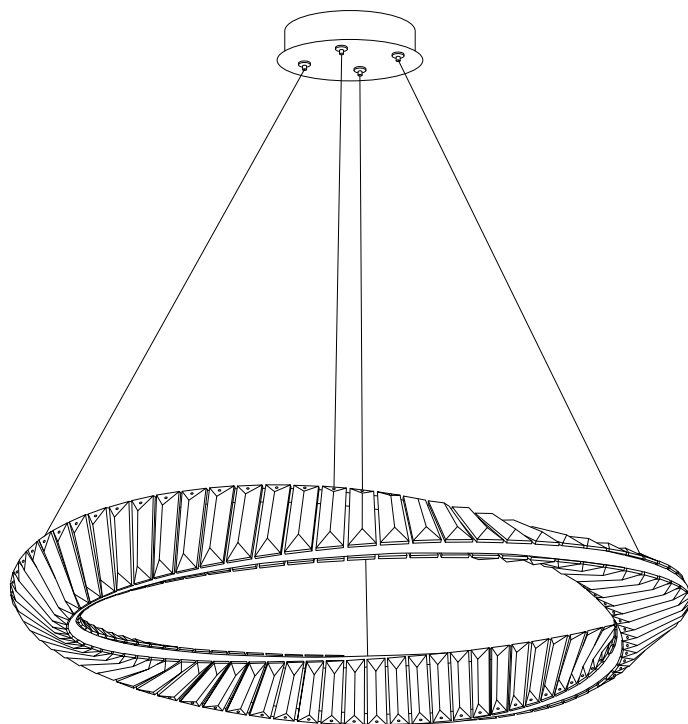
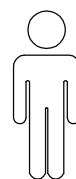
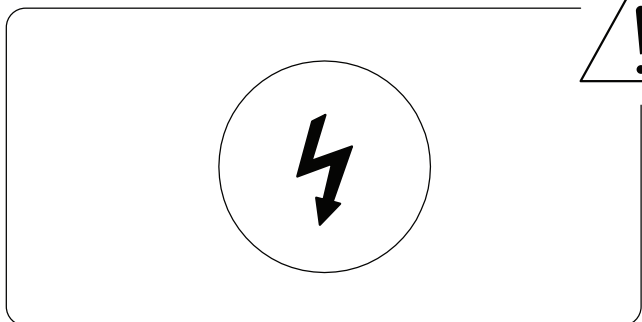


ROSENDE





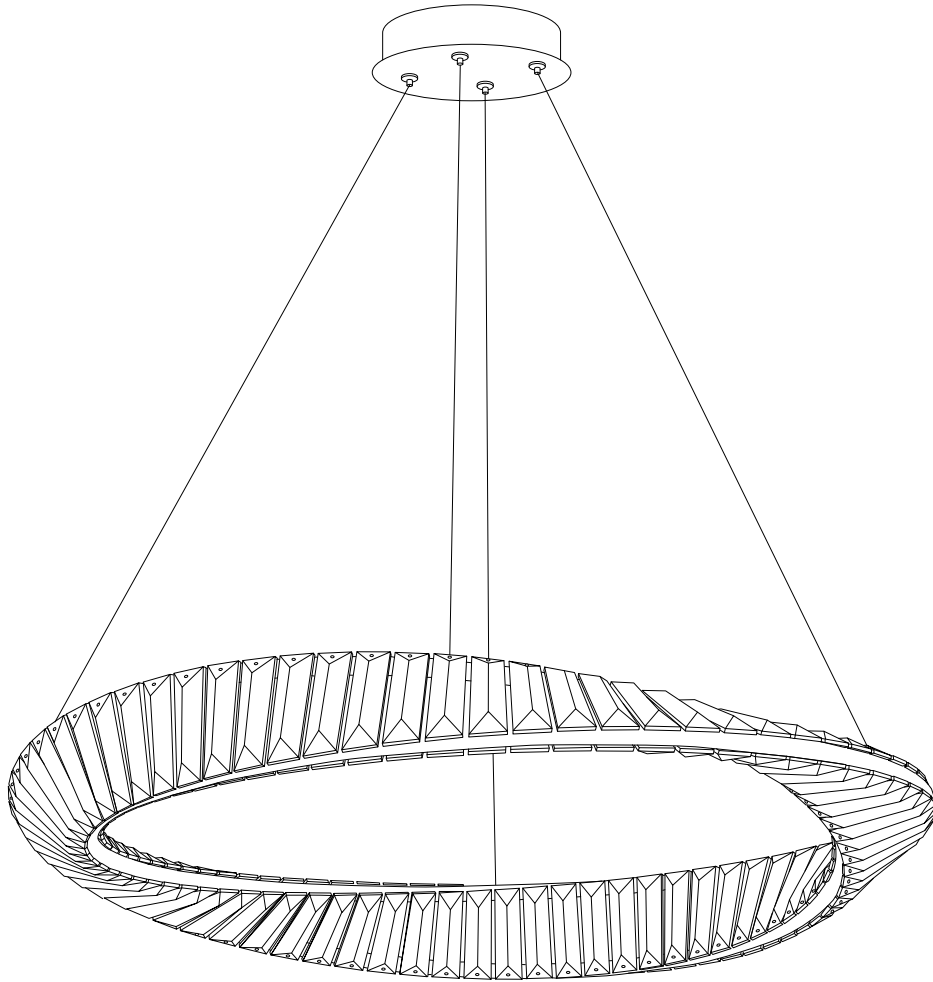
10'



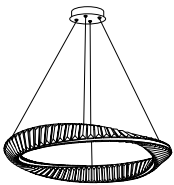
1

1/4

A

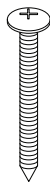


A



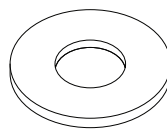
x 1

B



x 2

C



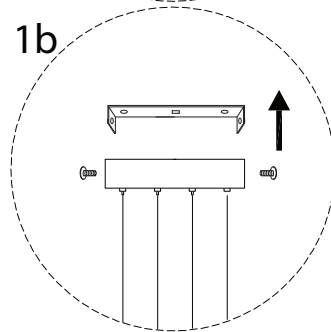
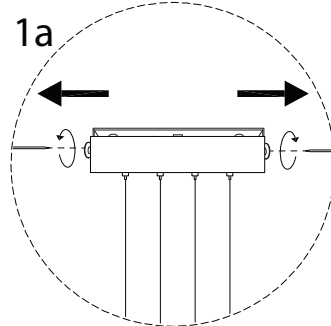
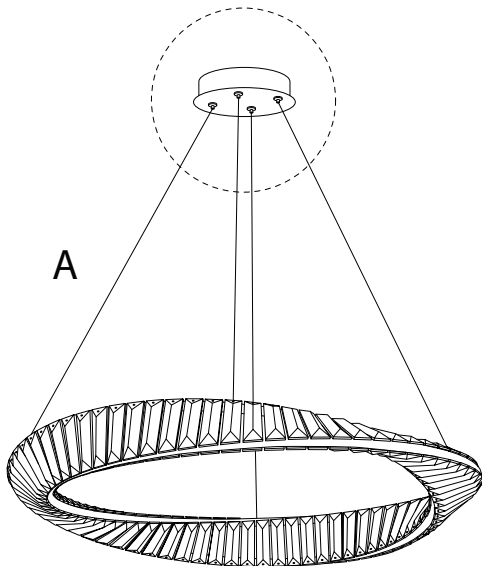
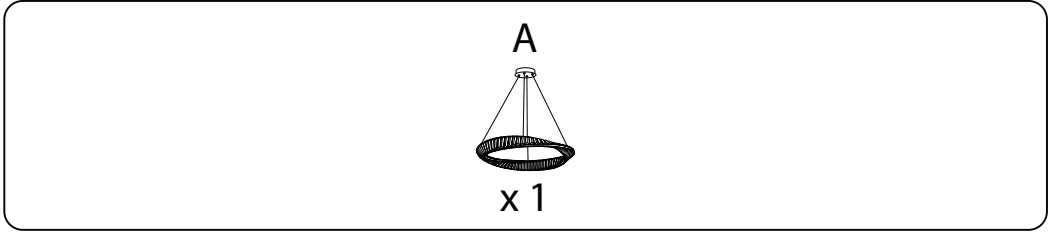
x 2

D

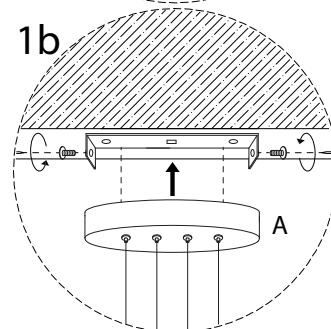
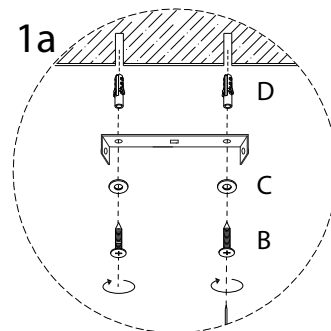
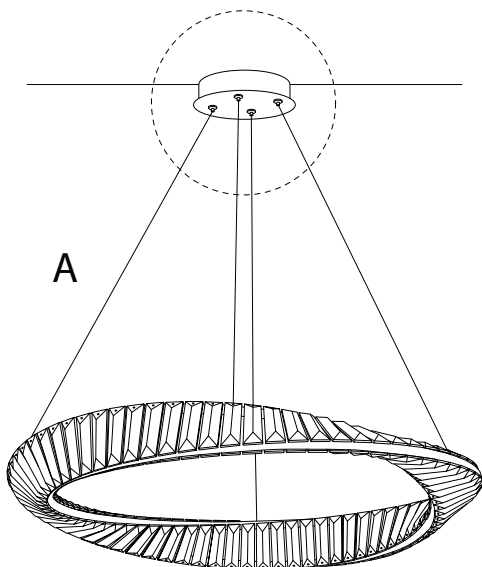
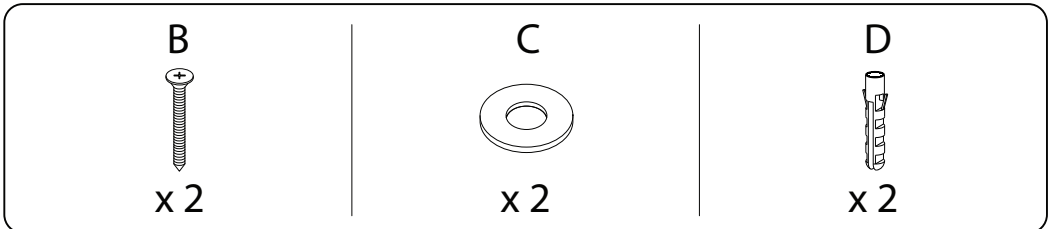


x 2

1



2



!

