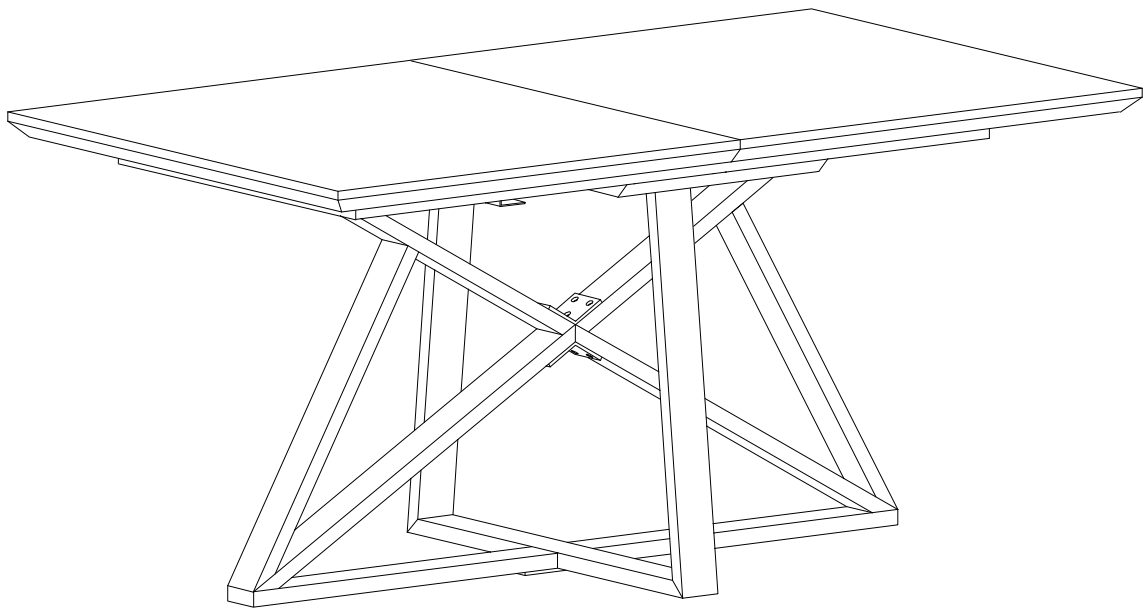


MAXIMUS



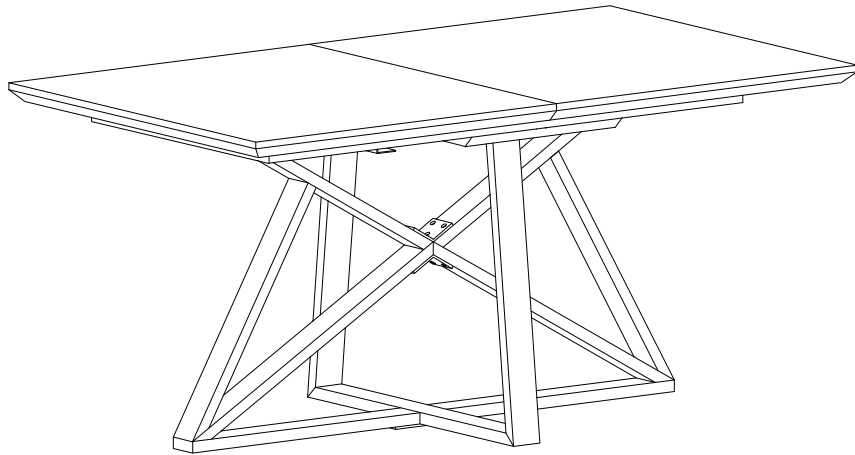


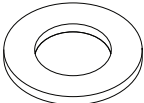
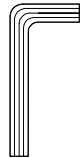
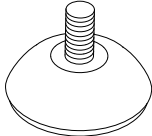
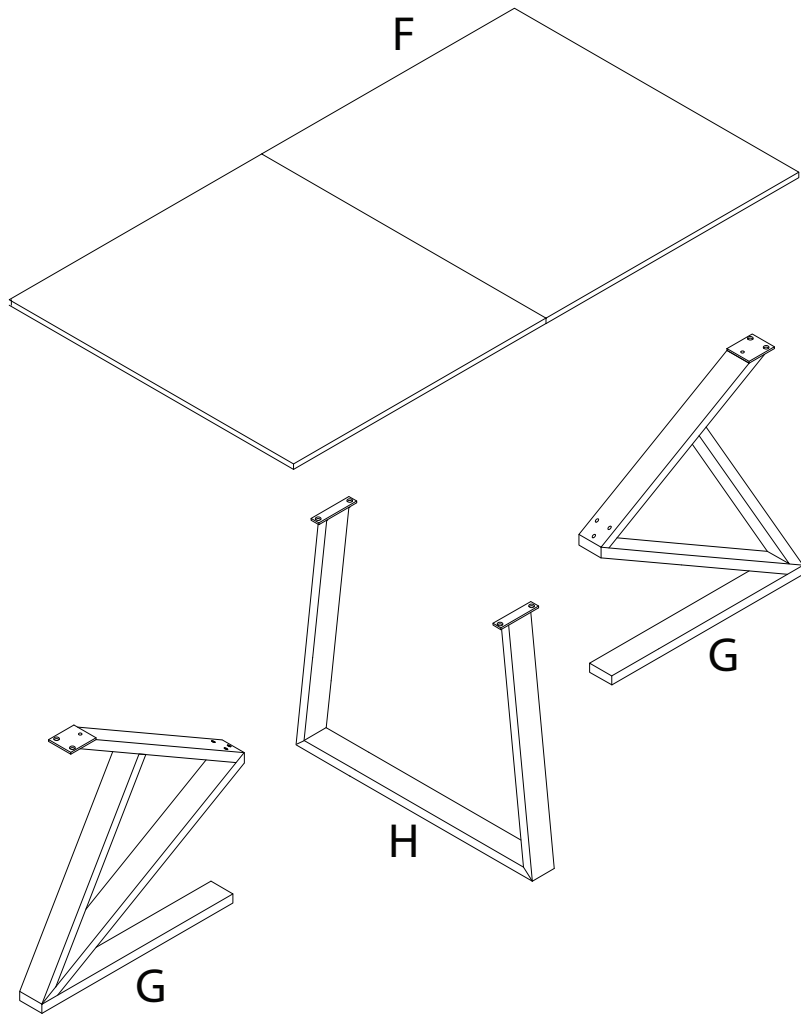
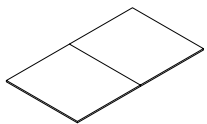
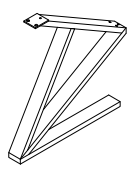
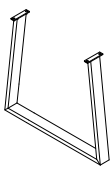
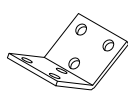
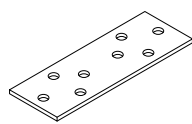


Diagram illustrating assembly steps and safety warnings:


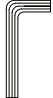
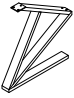

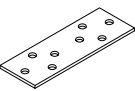
- Step 1:** Shows an L-shaped metal bracket being inserted into a hole in the table top. A power drill is shown with a diagonal line through it, indicating that a power drill should not be used for this step. A warning triangle with an exclamation mark is positioned to the right.
- Step 2:** Shows a rectangular block being placed on a surface. A power drill is shown with a diagonal line through it, indicating that a power drill should not be used for this step. A warning triangle with an exclamation mark is positioned to the right.
- Time:** A clock icon indicates a duration of 30 minutes.
- Personnel:** An icon of a person indicates that 2 people are required for assembly.

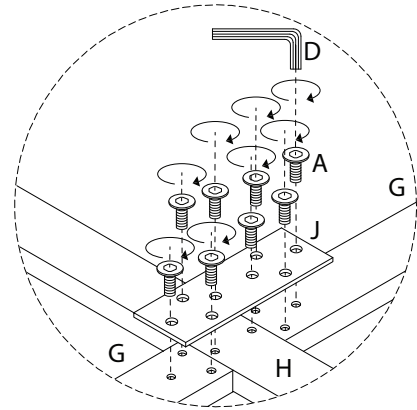
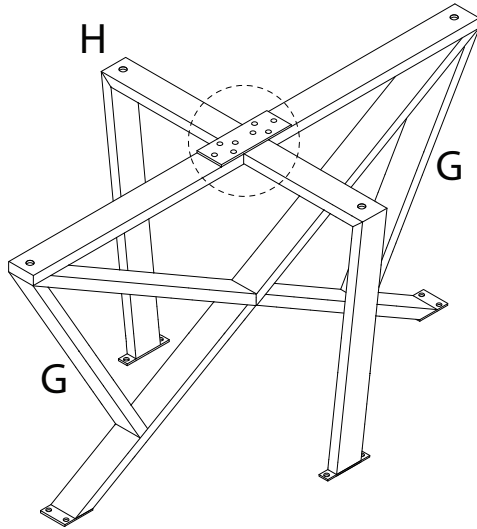
A	B	C	D	E
 M8 x 20	 M8 x 16			
x 20	x 8	x 8	x 1	x 4





F	G	H	I	J
				
x 1	x 2	x 1	x 2	x 1

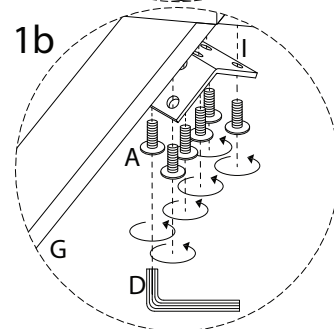
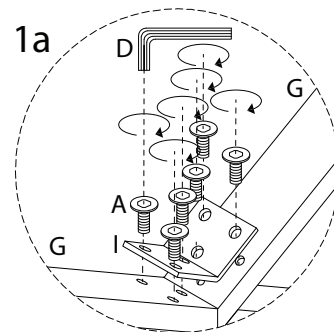
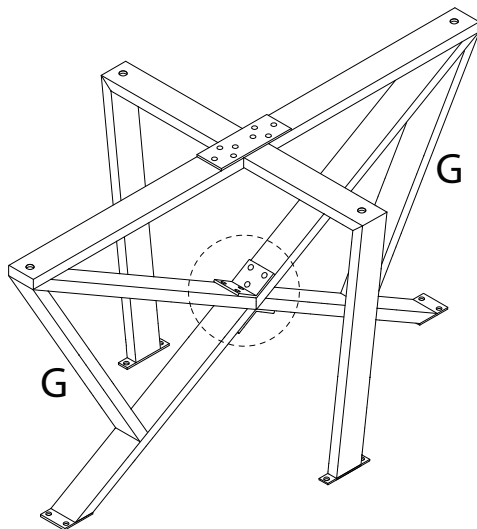
1

A  M8 x 20 x 8	D  x 1	G  x 2	H  x 1	J  x 1
---	--	--	--	--

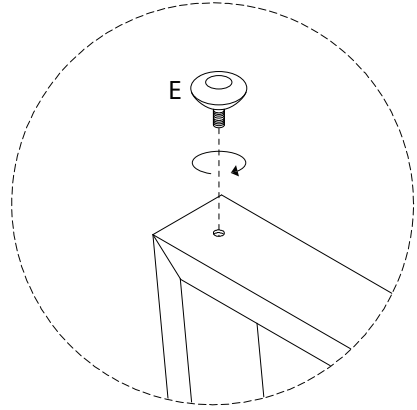
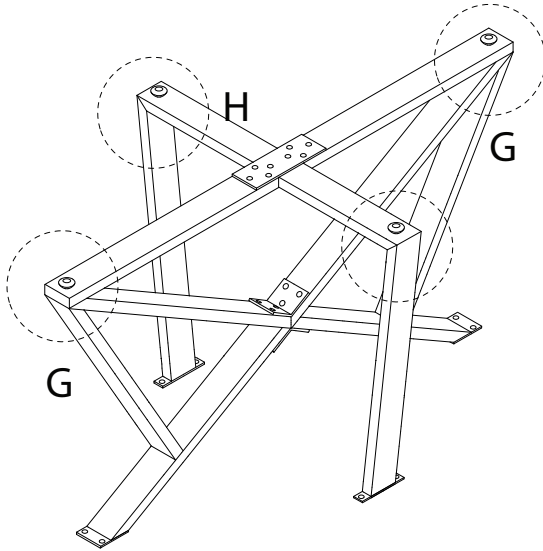
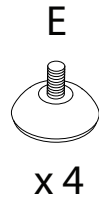


2

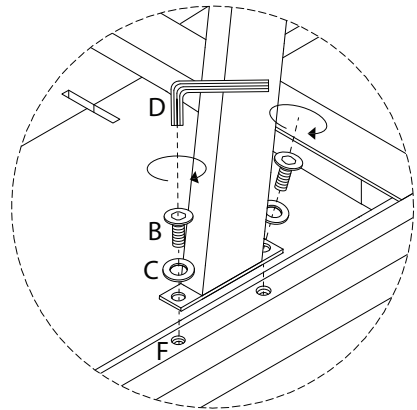
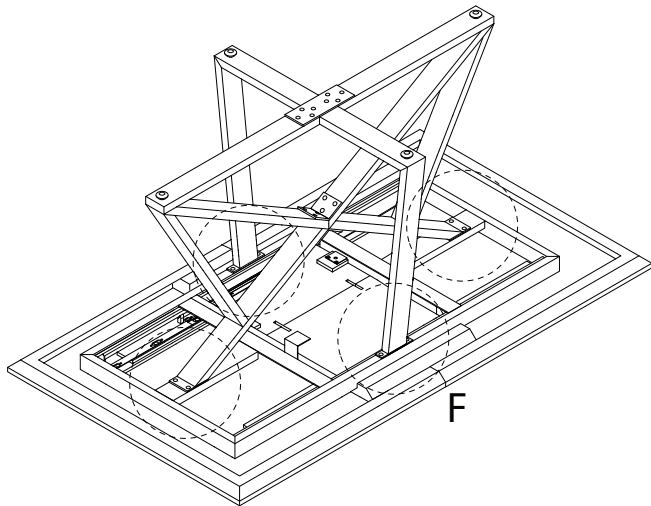
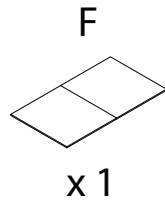
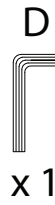
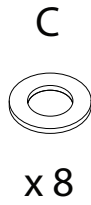
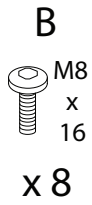
A  M8 x 20 x 12	I  x 2
--	--



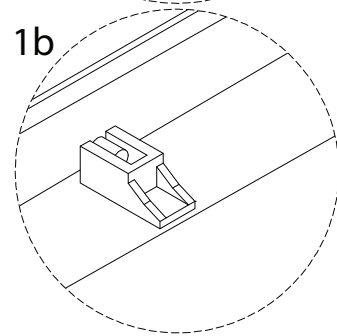
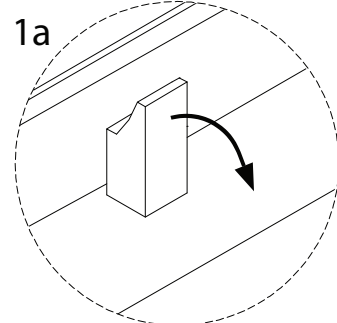
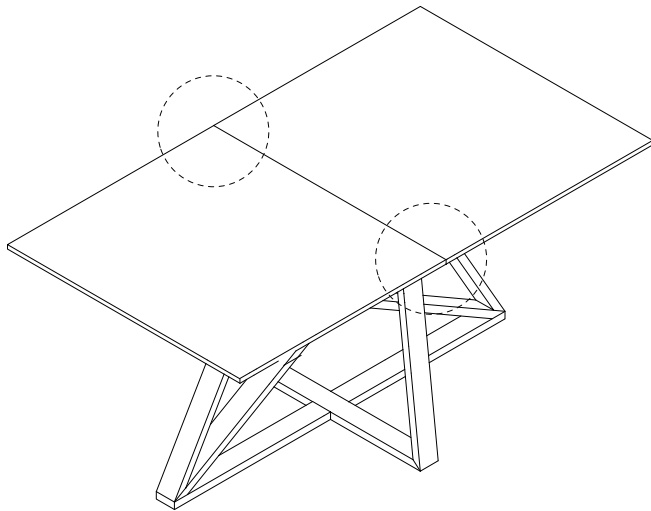
3



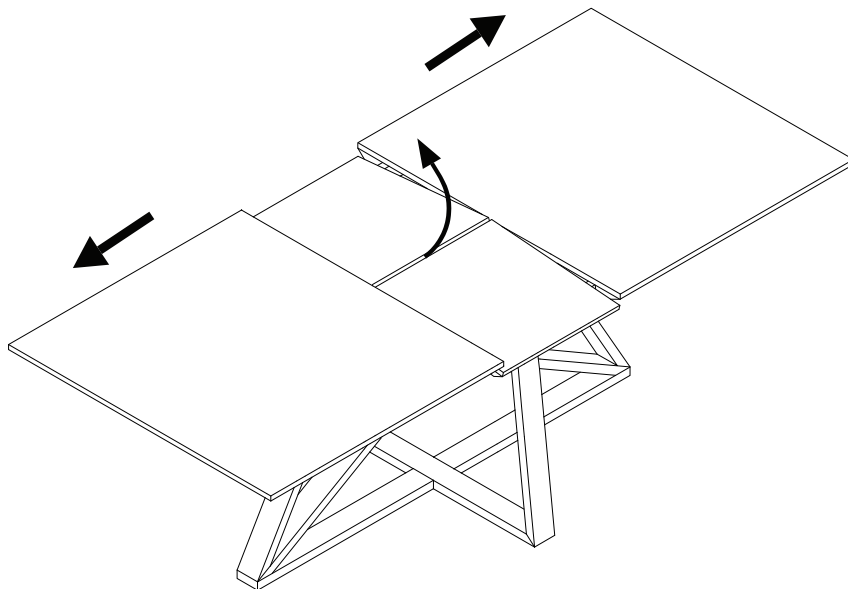
4



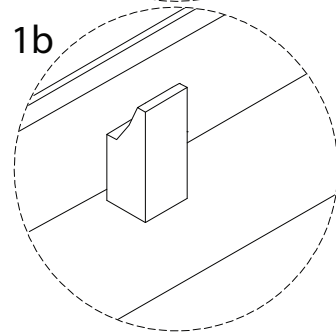
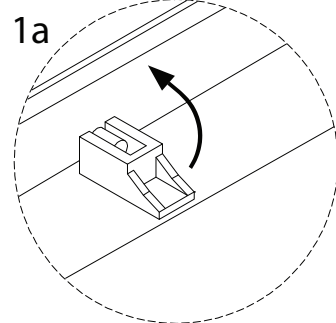
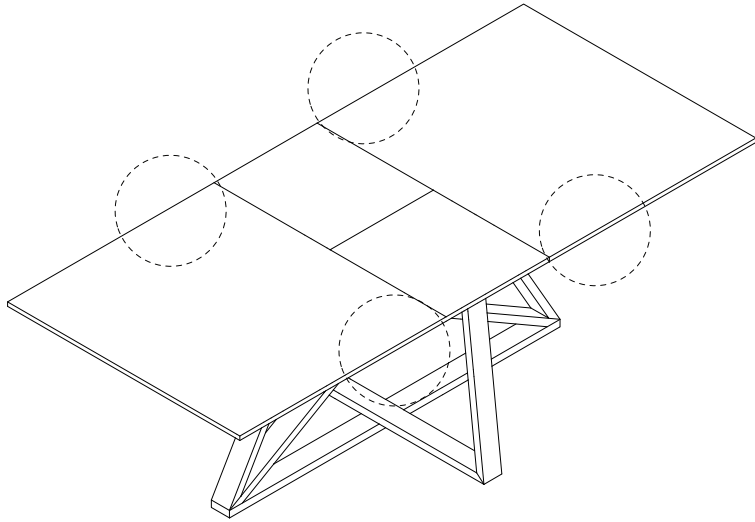
5



6



7



!

