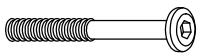

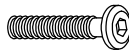
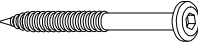



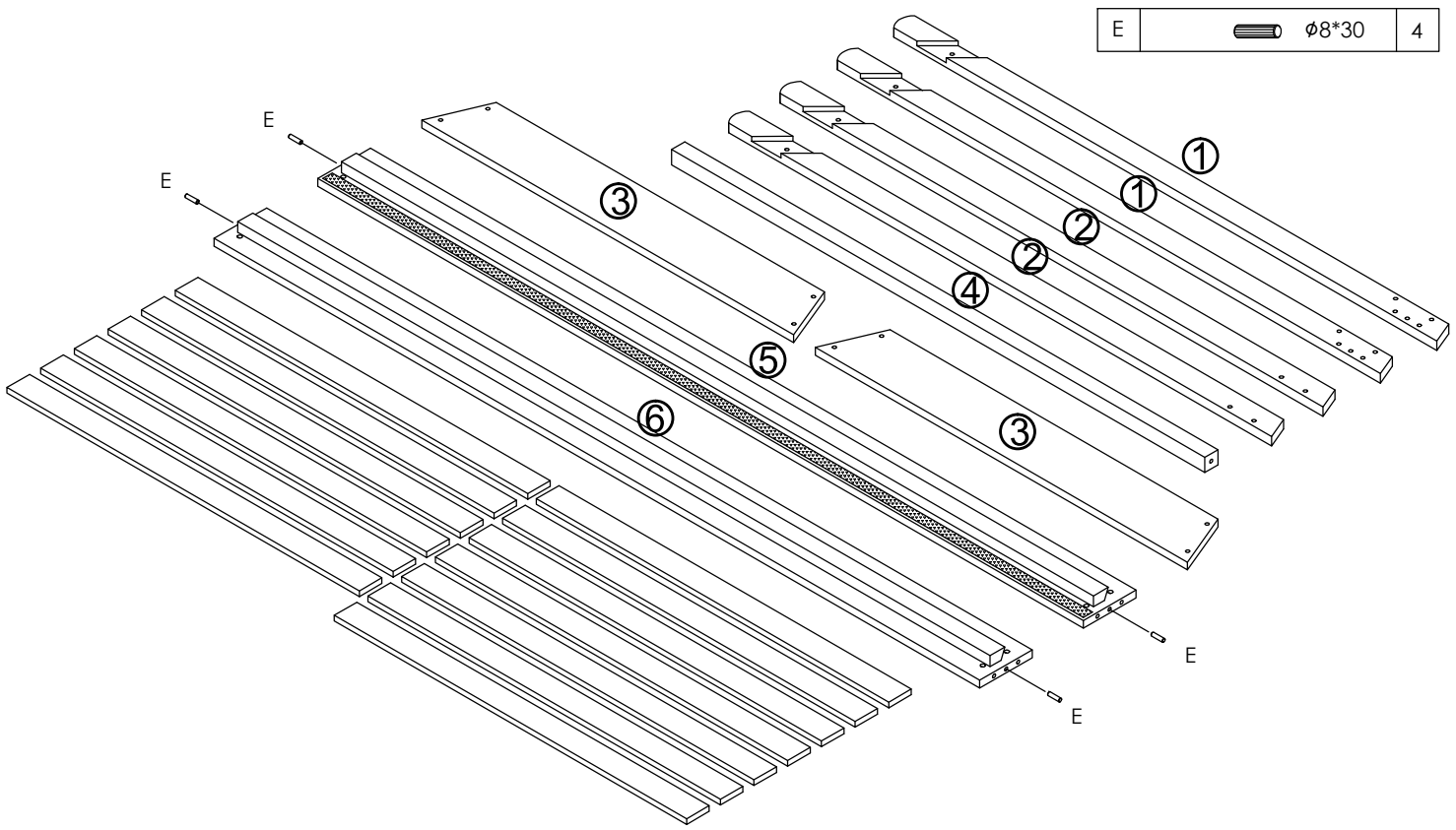
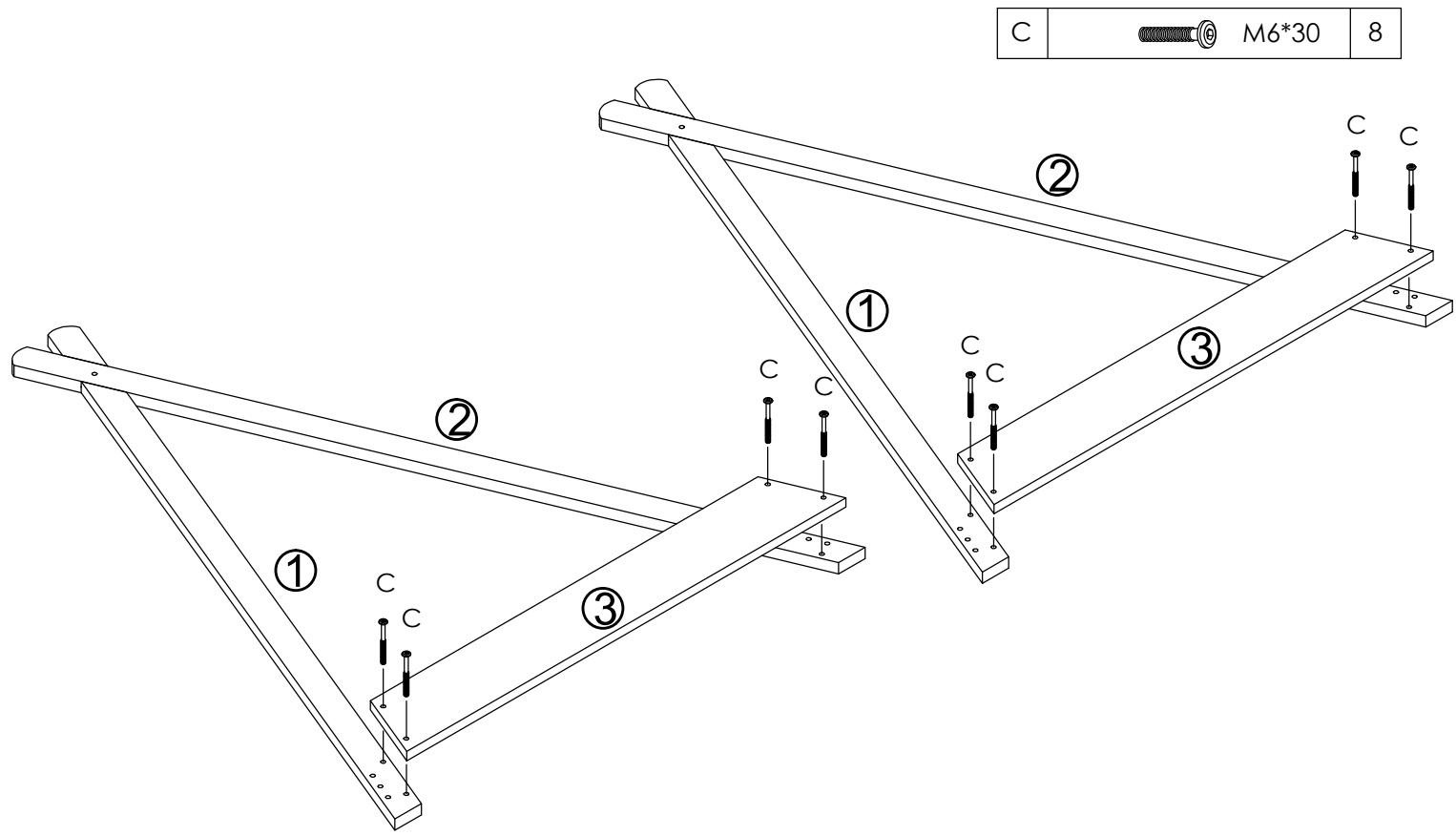


A		M6*70	8
B			8
C		M6*30	8
D		Φ6*70	2
E		Φ8*30	4
F		4*30	26
G			1


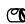

STEP:1

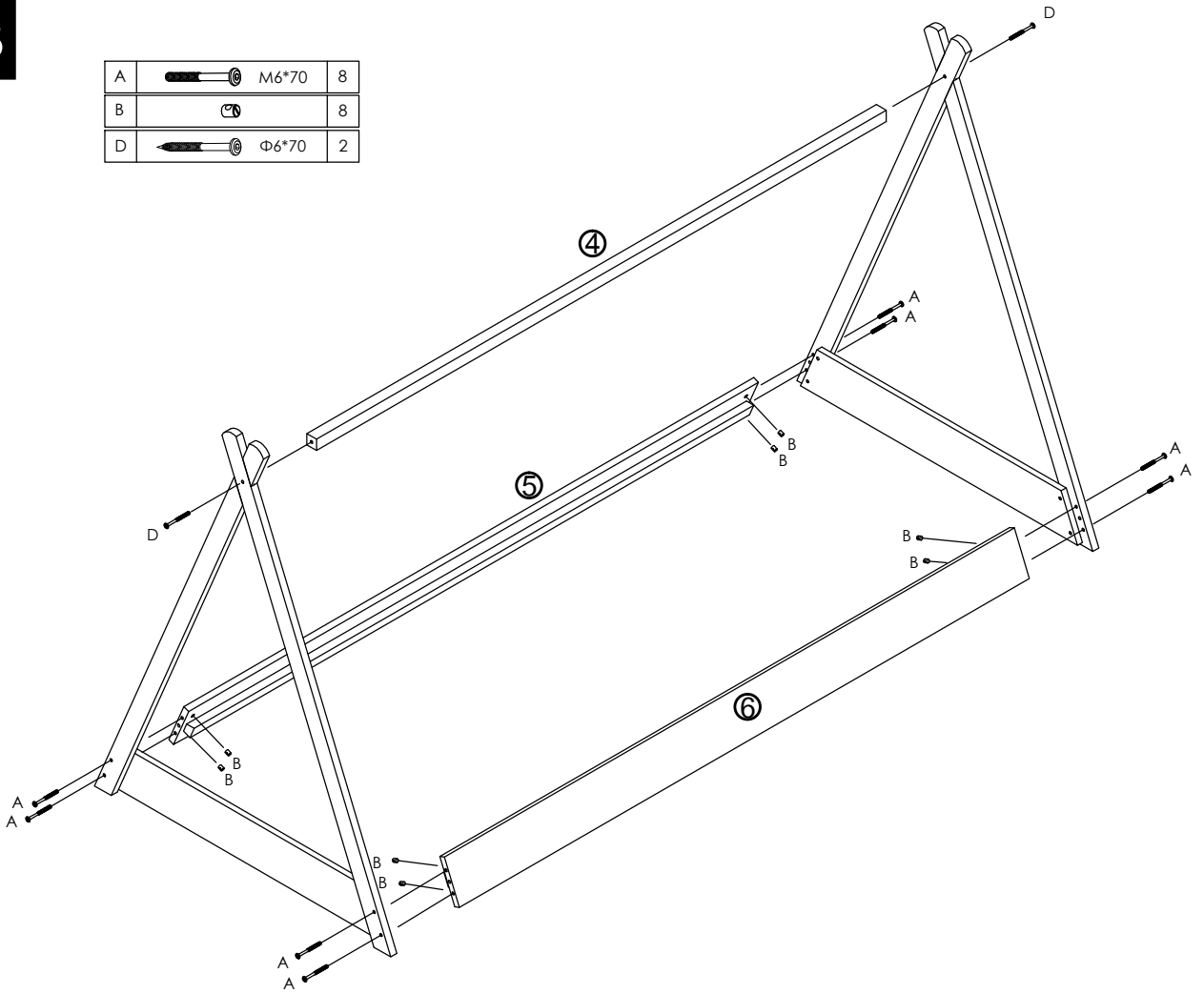


STEP:2



STEP:3

A		M6*70	8
B			8
D		Φ6*70	2



STEP:4

F		4*30	26
---	---	------	----

