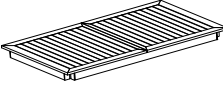

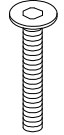
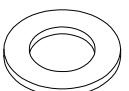

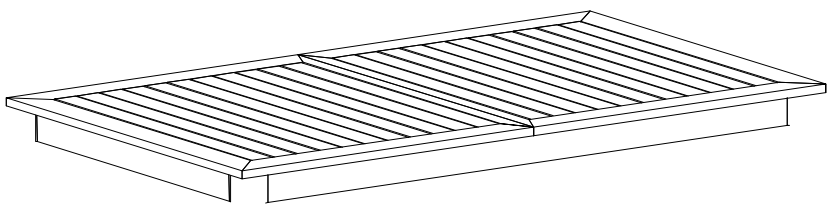


Diagram illustrating assembly instructions and safety warnings:

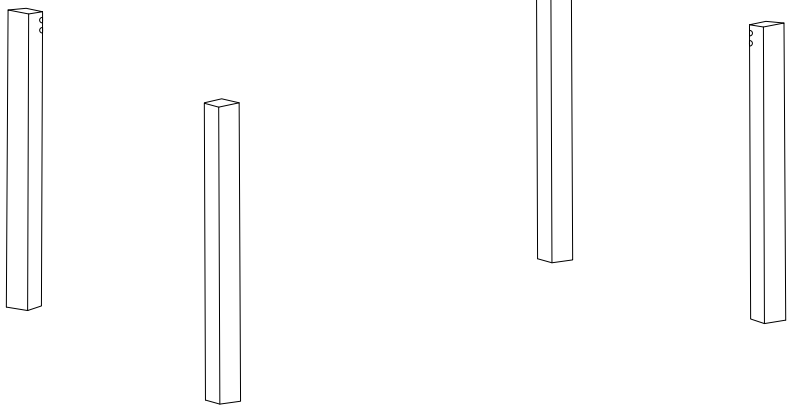
- Warning 1:** A warning triangle with an exclamation mark is positioned above a box containing an L-shaped bracket and a power drill with a slash through it, indicating that a power drill should not be used for this step.
- Warning 2:** A second warning triangle with an exclamation mark is positioned above a box containing a rectangular block being placed on a surface and a diagram showing a block being secured with a screw.
- Time:** A clock icon is shown next to the text "15'", indicating a 15-minute assembly time.
- Personnel:** A person icon is shown next to the number "1", indicating that one person is required for assembly.

A	B	C	D	E
				
x 1	x 4	x 8	x 8	x 1

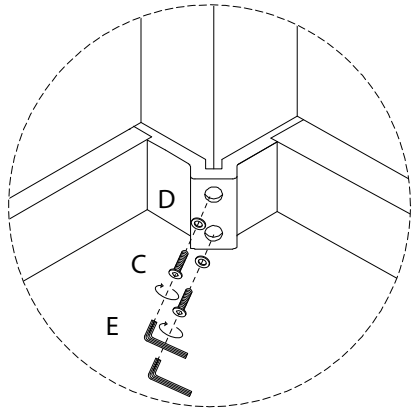
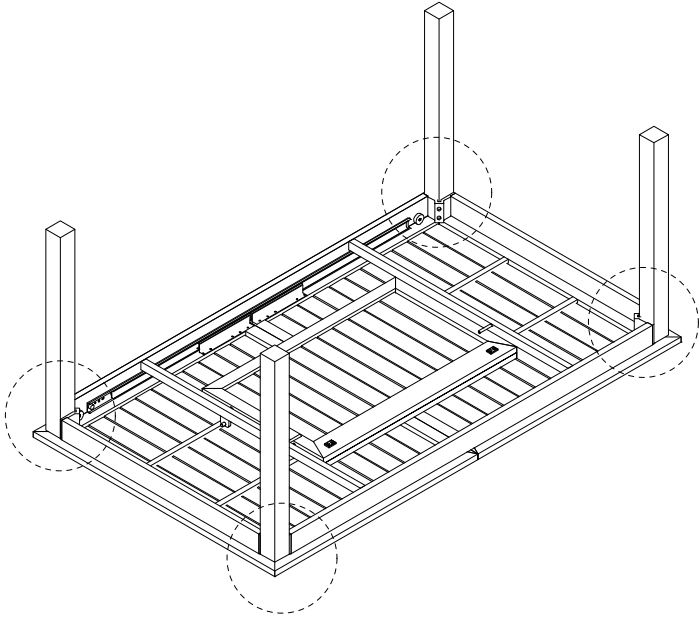
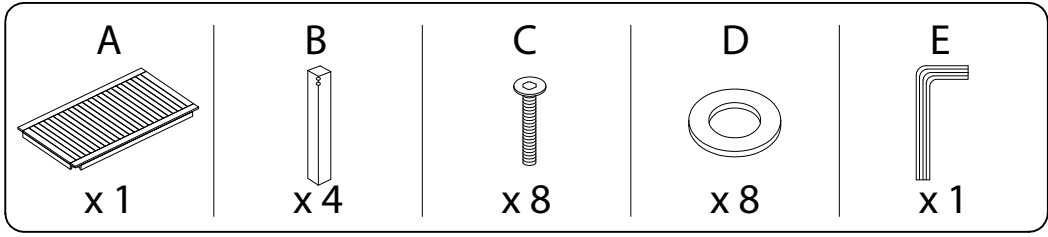
A



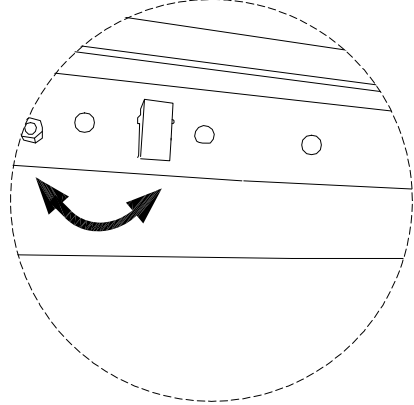
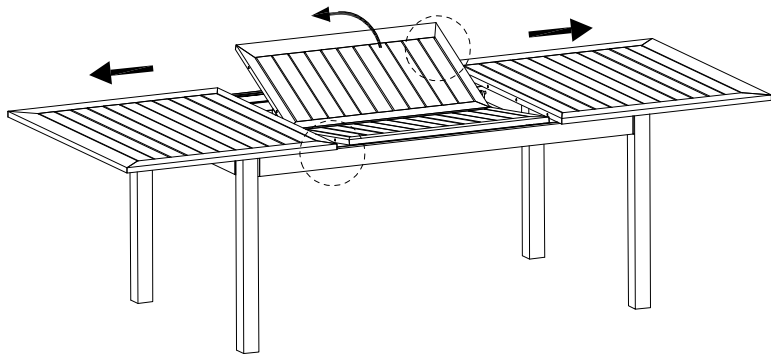
B x 4



1



!



!

