

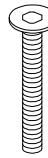
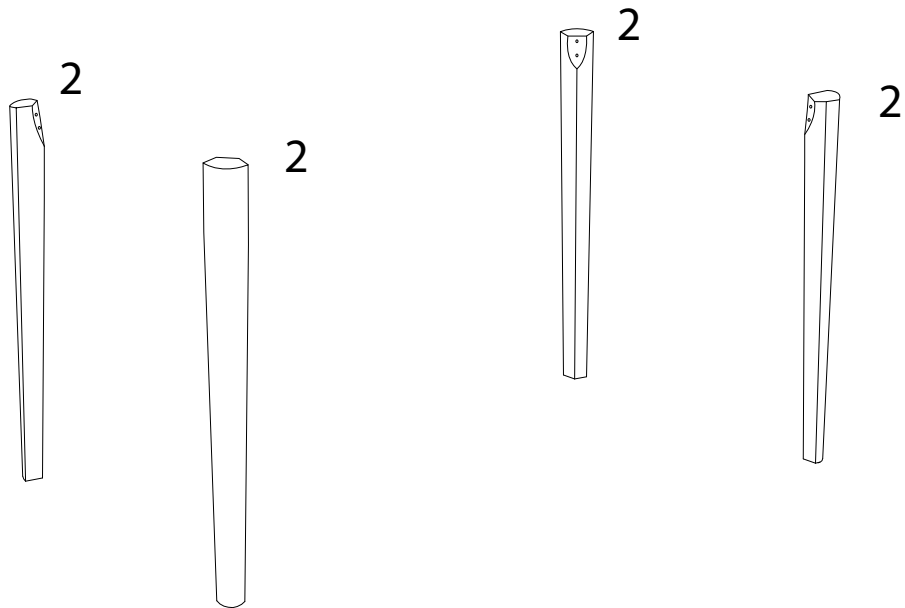
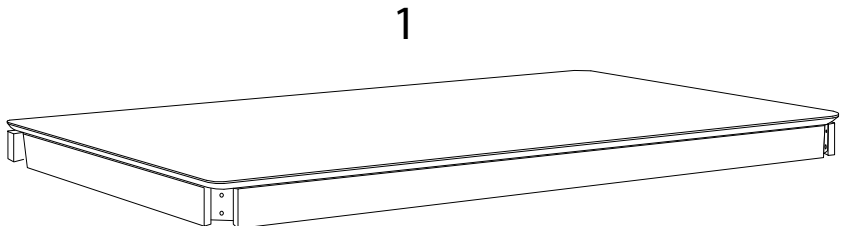
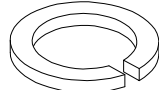
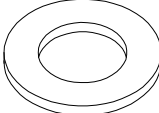
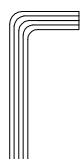


Diagram illustrating assembly instructions and safety warnings:



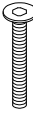


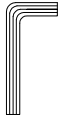
- Top Section:** Shows an L-shaped metal bracket and a power drill with a slash through it, indicating that a power drill should not be used. A warning triangle with an exclamation mark is positioned to the right. Below this is a clock icon and the text "20'", indicating a 20-minute assembly time.
- Bottom Section:** Shows a rectangular block being placed on a surface with a warning triangle above it. To the right is an icon of a person and the number "1", indicating that one person is required for this step.

<p>1</p>  <p>x 1</p>	<p>2</p>  <p>x 4</p>	<p>A1</p>  <p>M8 x 70</p> <p>x 8</p>
---	---	---



<p>A2</p>  <p>x 8</p>	<p>A3</p>  <p>x 8</p>	<p>B</p>  <p>x 1</p>
--	--	---

1

<p>1</p>  <p>x 1</p>	<p>2</p>  <p>x 4</p>	<p>A1</p>  <p>M8 x 70</p> <p>x 8</p>	<p>A2</p>  <p>x 8</p>	<p>A3</p>  <p>x 8</p>	<p>B</p>  <p>x 1</p>
---	---	---	---	--	---

