
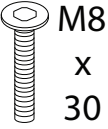
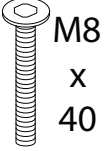
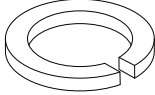
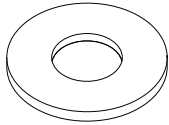
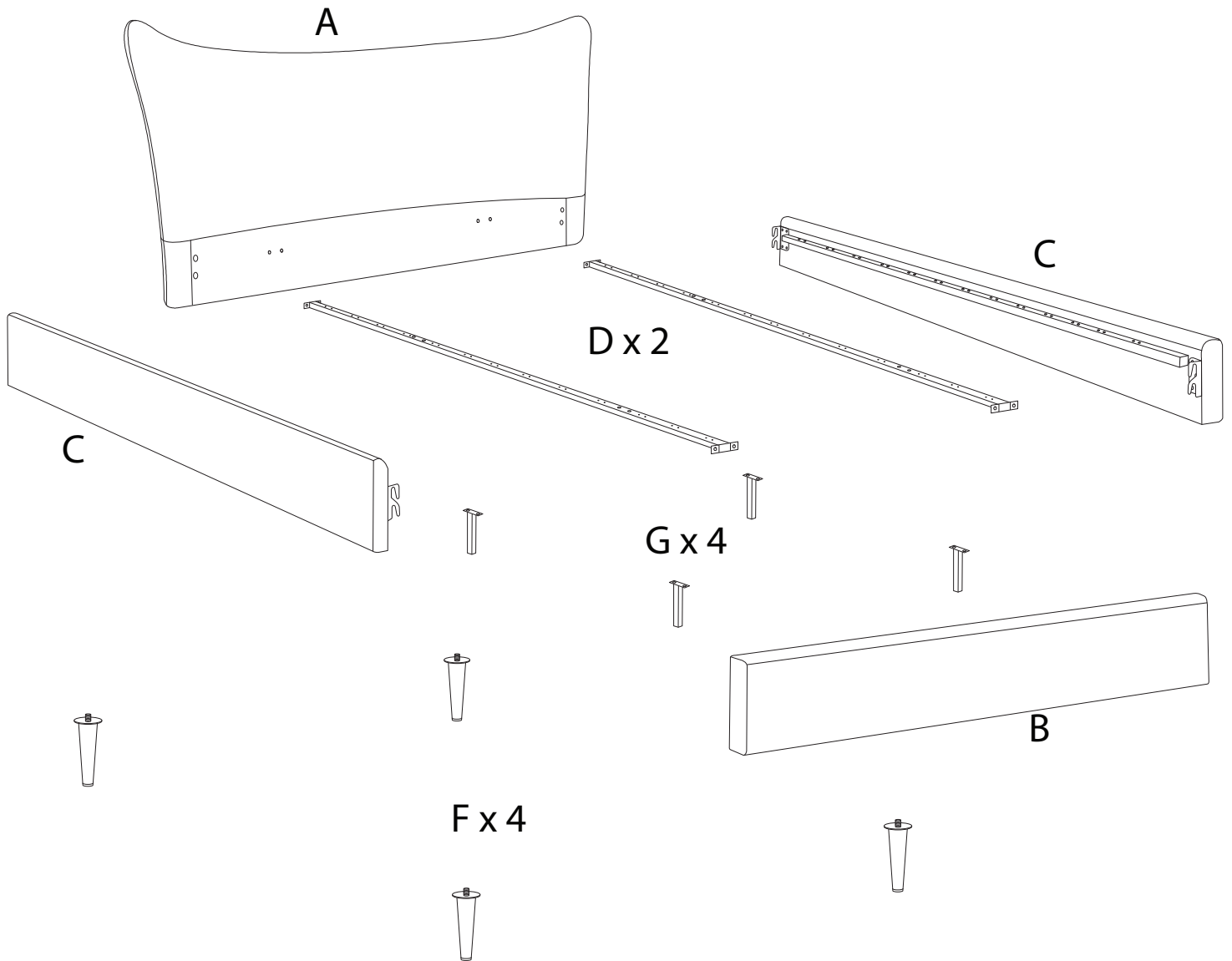

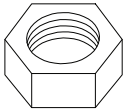
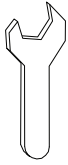
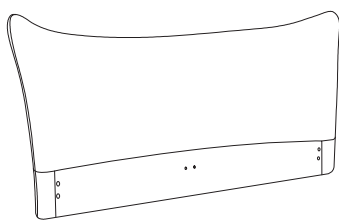
	<b>40'</b>
		
		<b>2</b>

<p><b>1</b></p>  <p>M8 x 30</p> <p><b>x 16</b></p>	<p><b>2</b></p>  <p>M8 x 40</p> <p><b>x 8</b></p>	<p><b>3</b></p>  <p><b>x 24</b></p>	<p><b>4</b></p>  <p><b>x 24</b></p>
---	--	---	--



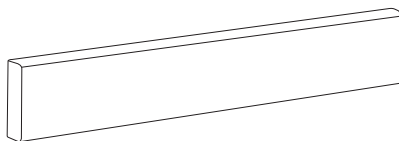
<p><b>5</b></p>  <p><b>x 1</b></p>	<p><b>6</b></p>  <p><b>x 8</b></p>	<p><b>7</b></p>  <p><b>x 1</b></p>
---	---	---

A



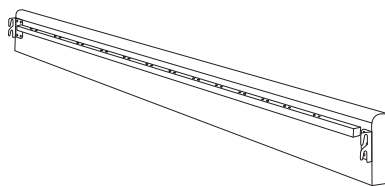
x 1

B



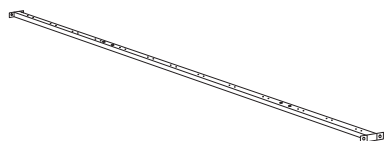
x 1

C



x 2

D



x 2

E



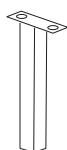
x 48

F



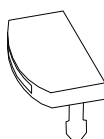
x 4

G



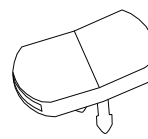
x 4

H



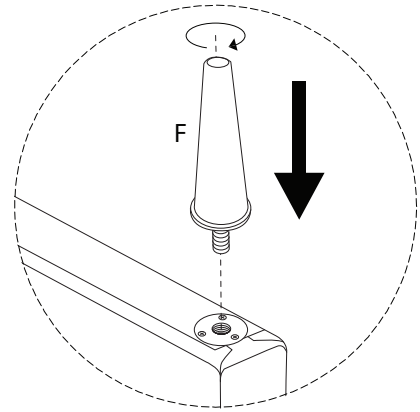
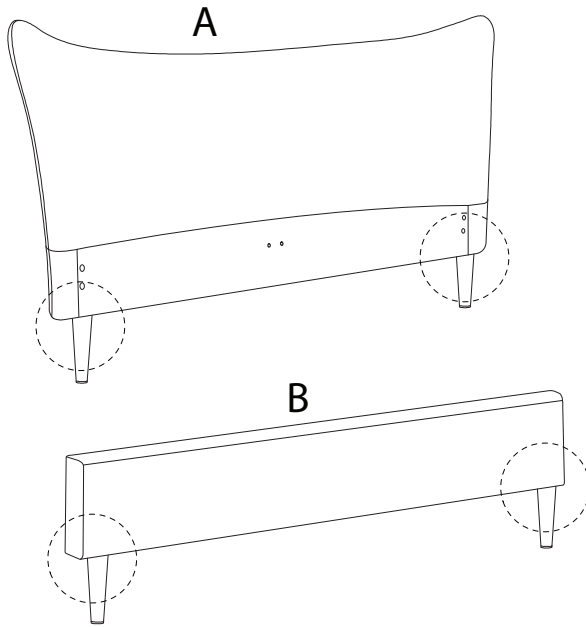
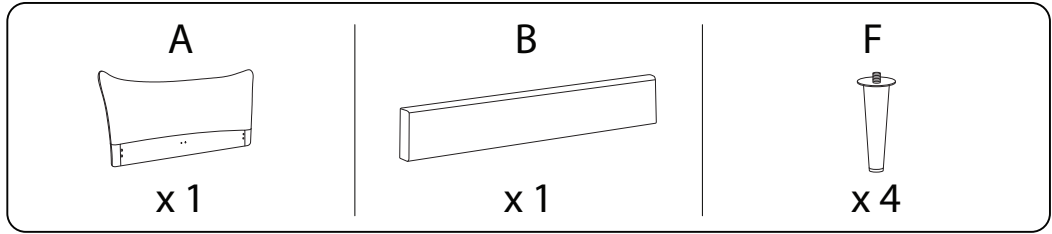
x 32

I

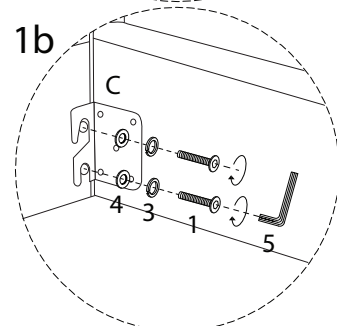
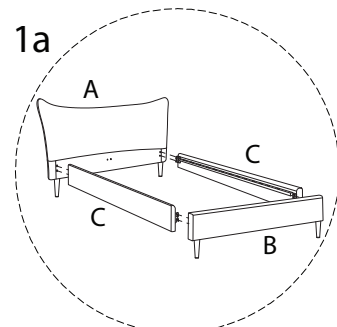
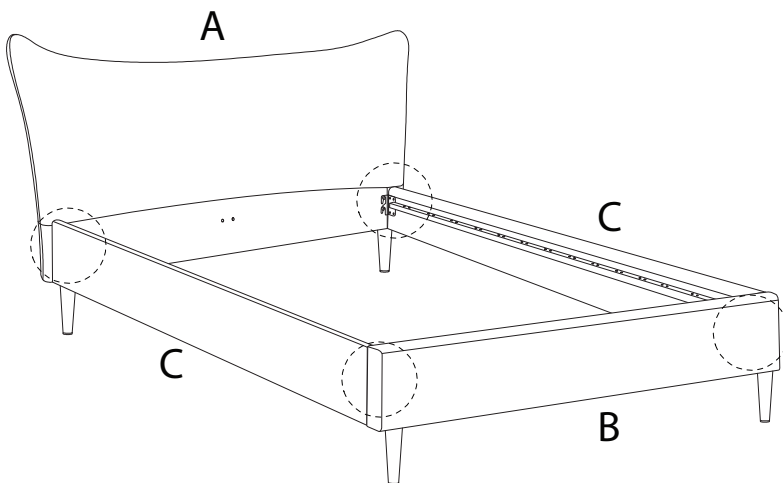
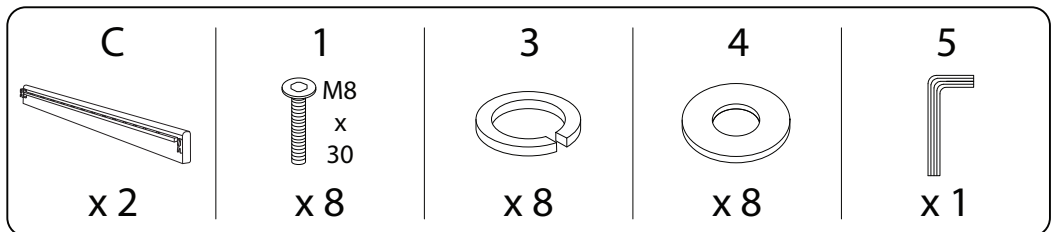


x 32


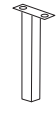
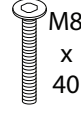
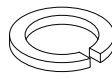
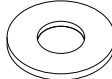
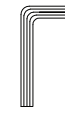
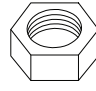
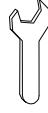
1

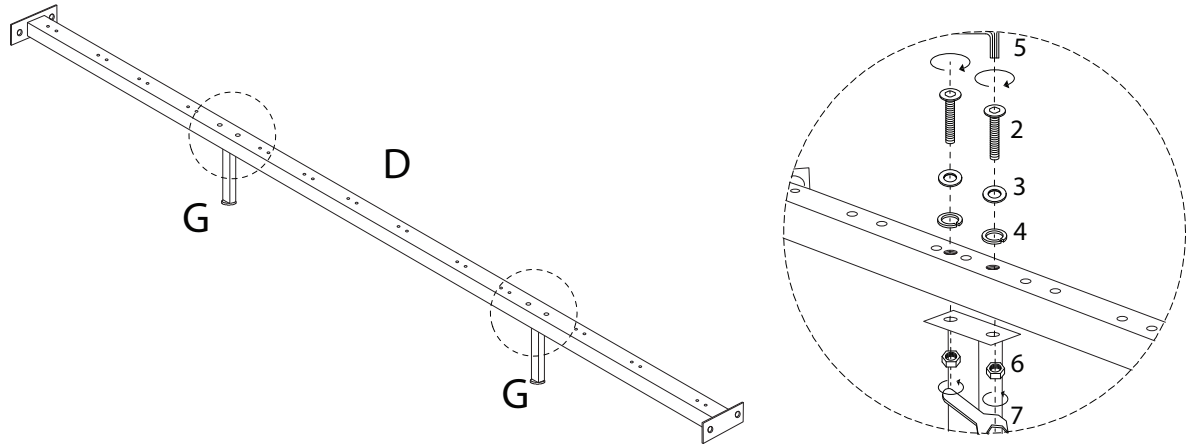


2


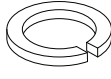
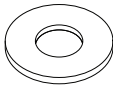
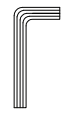


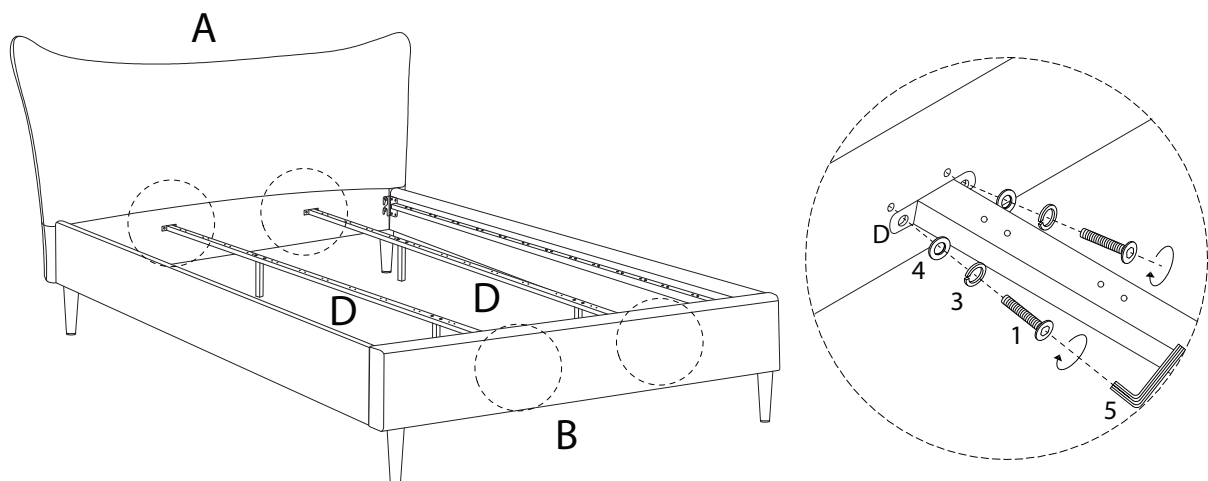
3 x 2

D	G	2	3	4	5	6	7
							
x 1	x 2	x 4	x 4	x 4	x 1	x 4	x 1

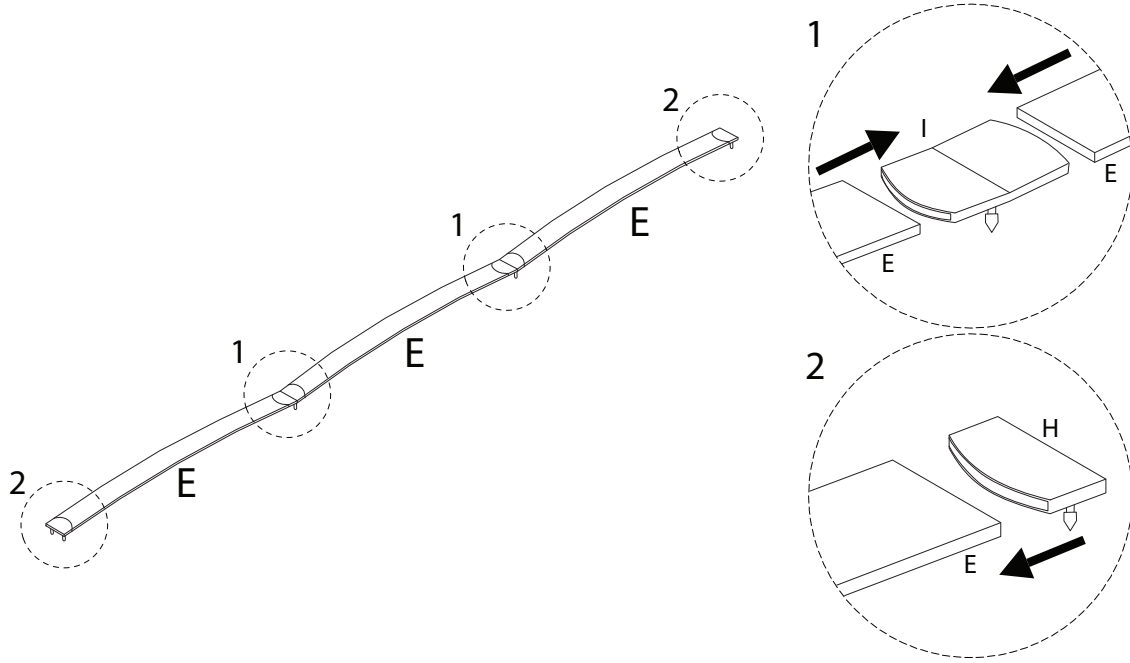
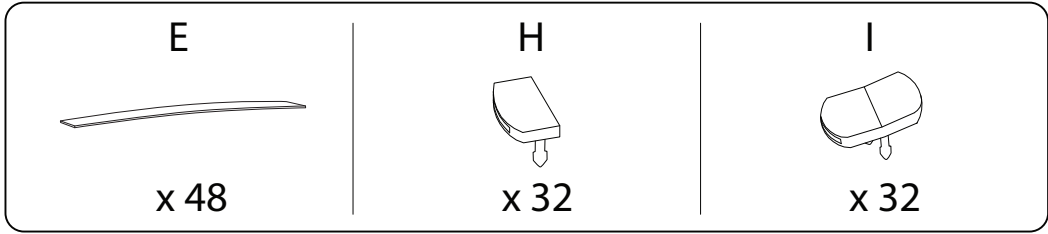


4

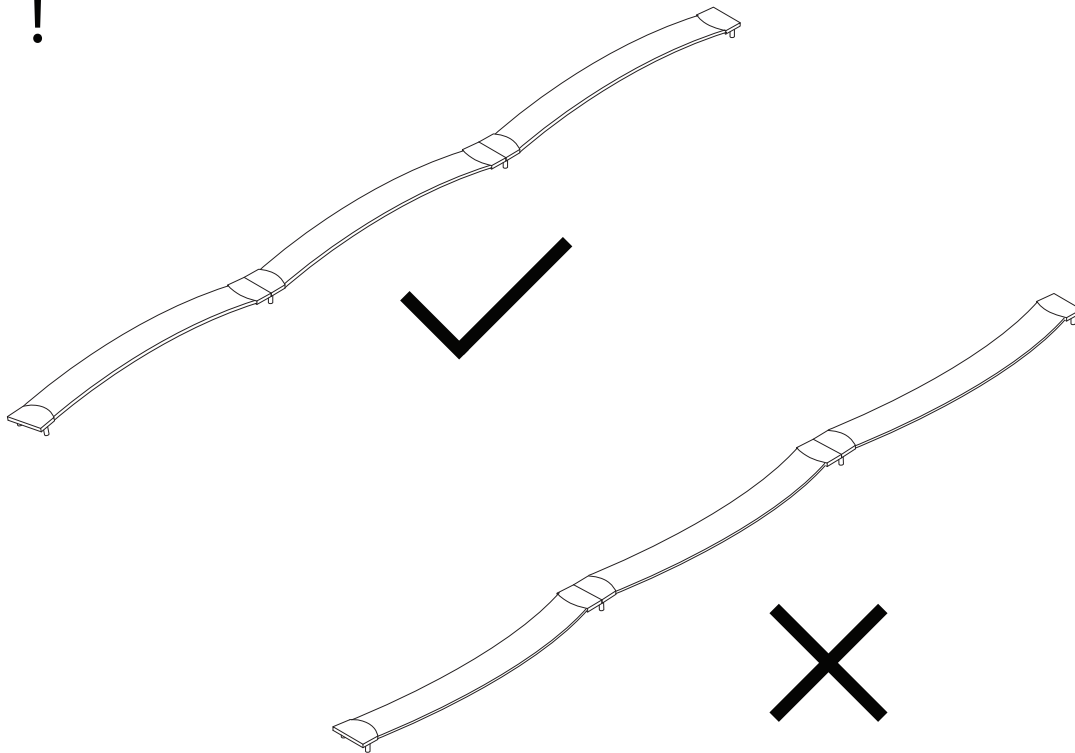
1	3	4	5
			
x 8	x 8	x 8	x 1



5 X 16



!



6

