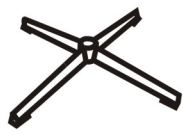




A x1



B x1



C x1



D x1



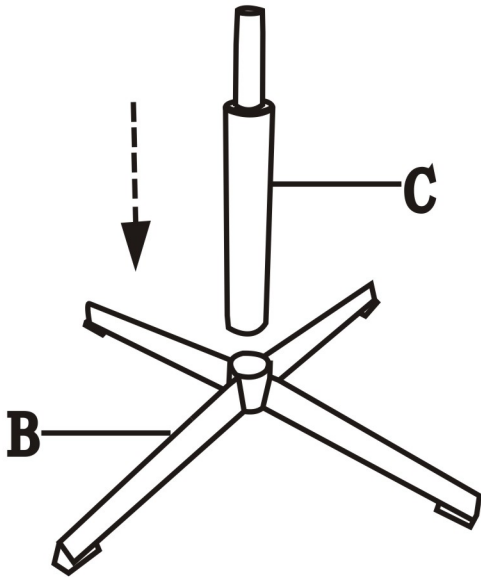
E x4



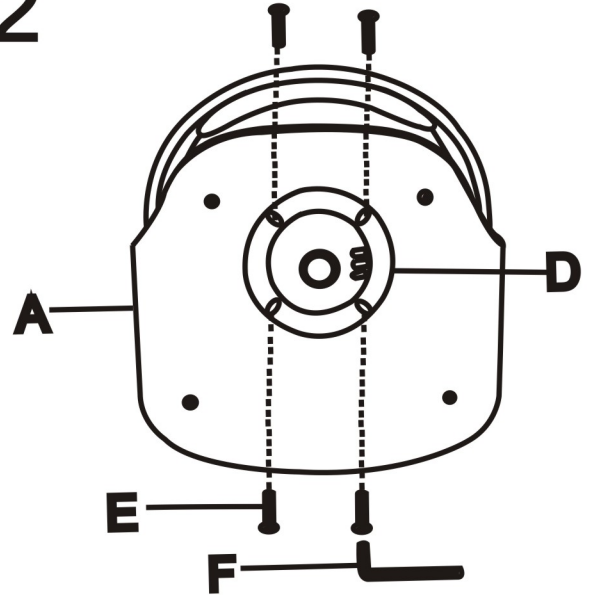
F x1

M6X18MM

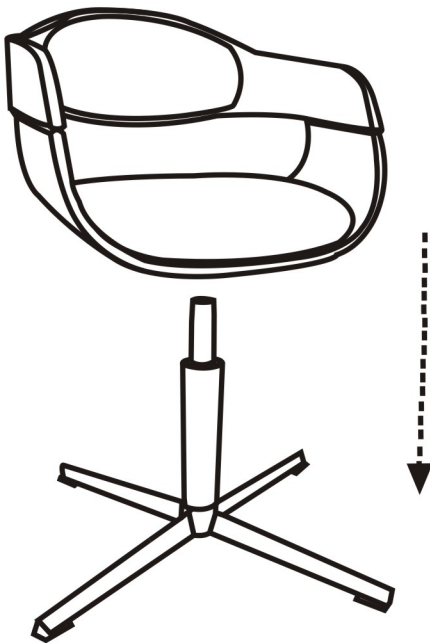
1



2



3



4

