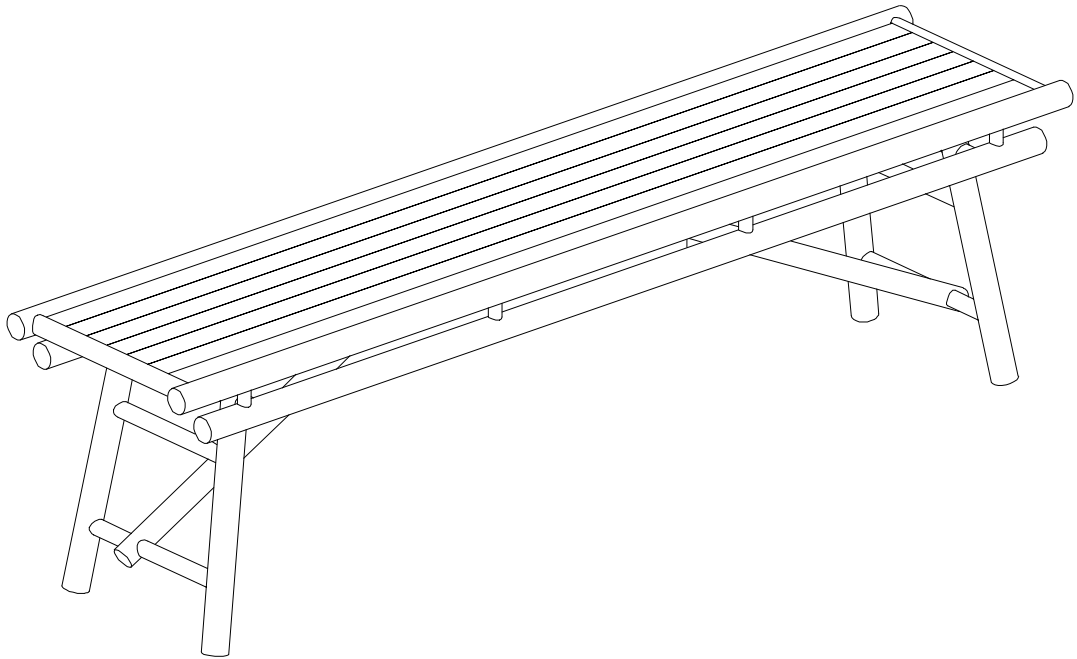
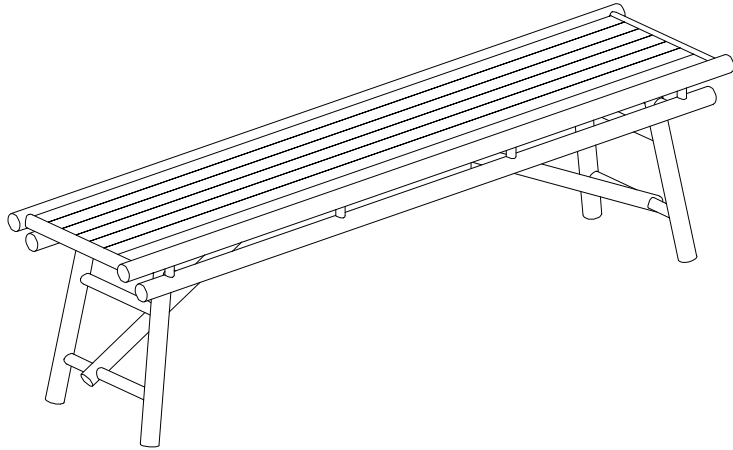
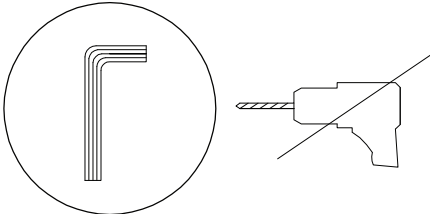

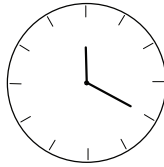
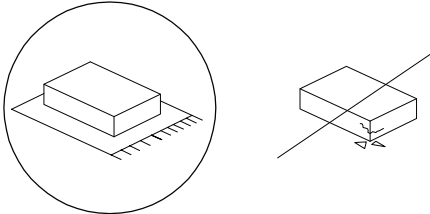




TINDARI

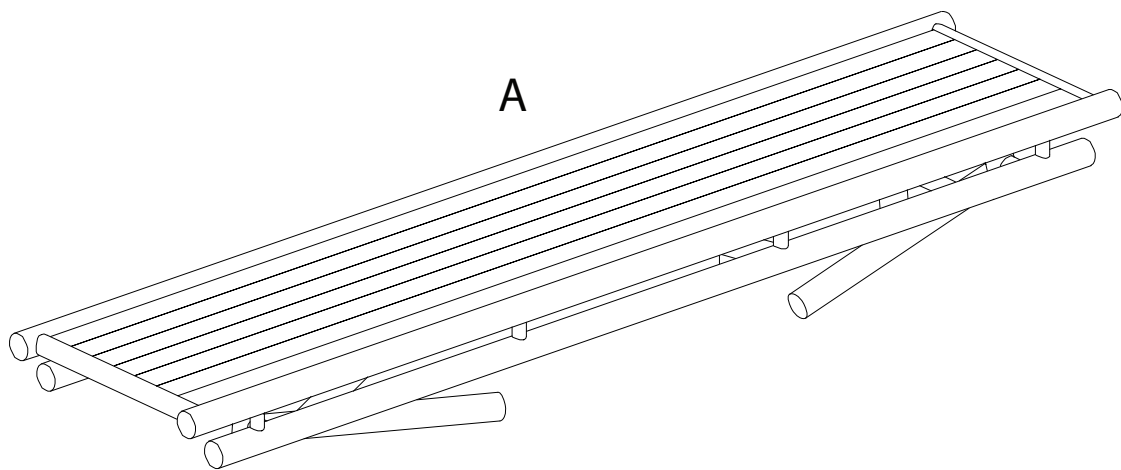


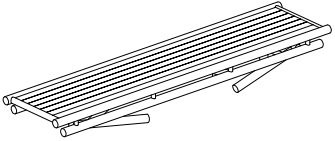
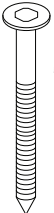



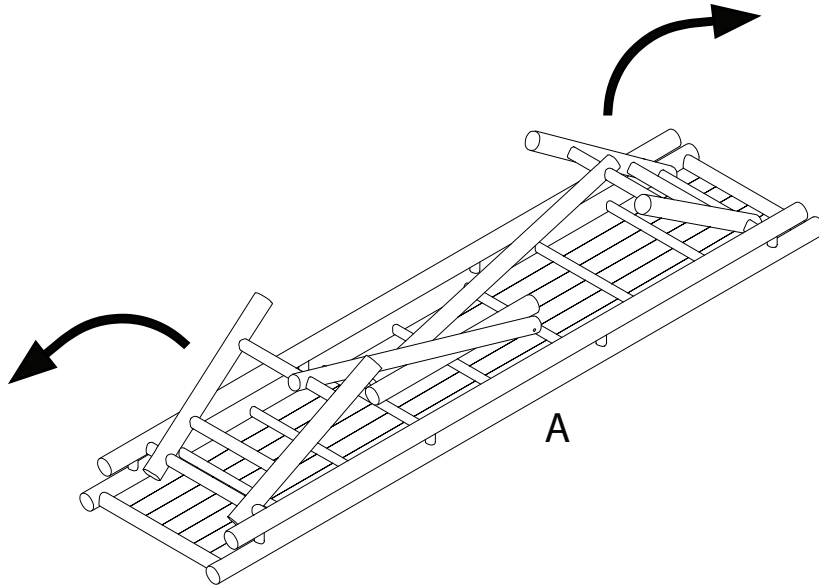
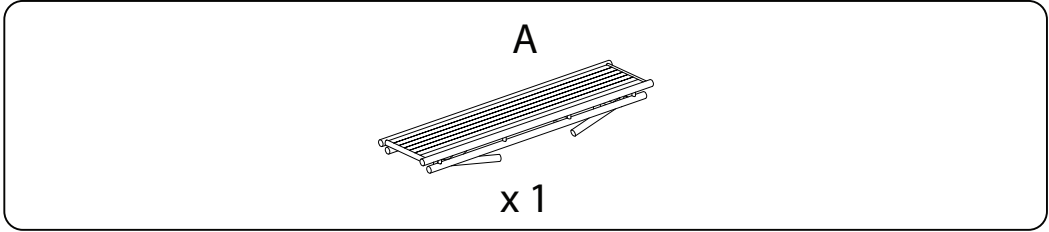
20'

2



<p>A</p>  <p>x 1</p>	<p>1</p>  <p>M4 x 60</p> <p>x 2</p>	<p>2</p>  <p>x 1</p>
---	--	---

1



2

