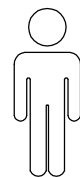
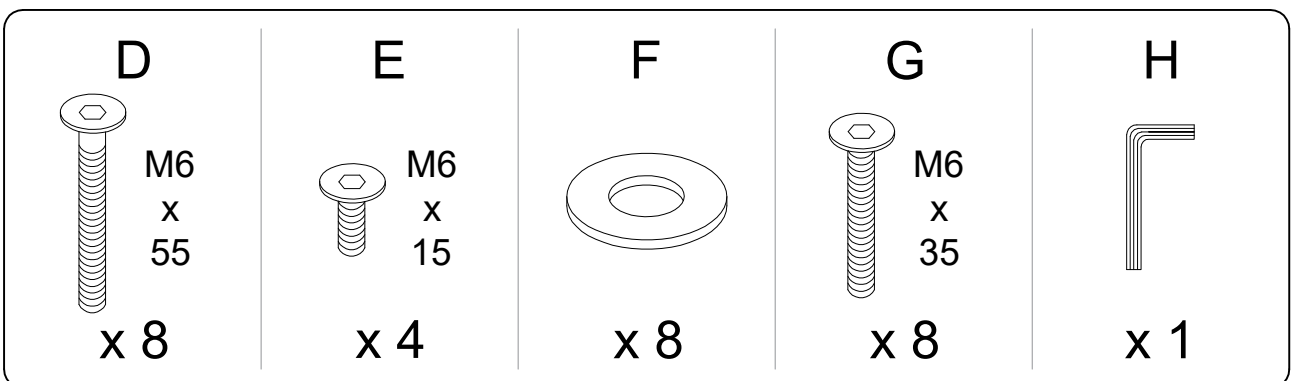
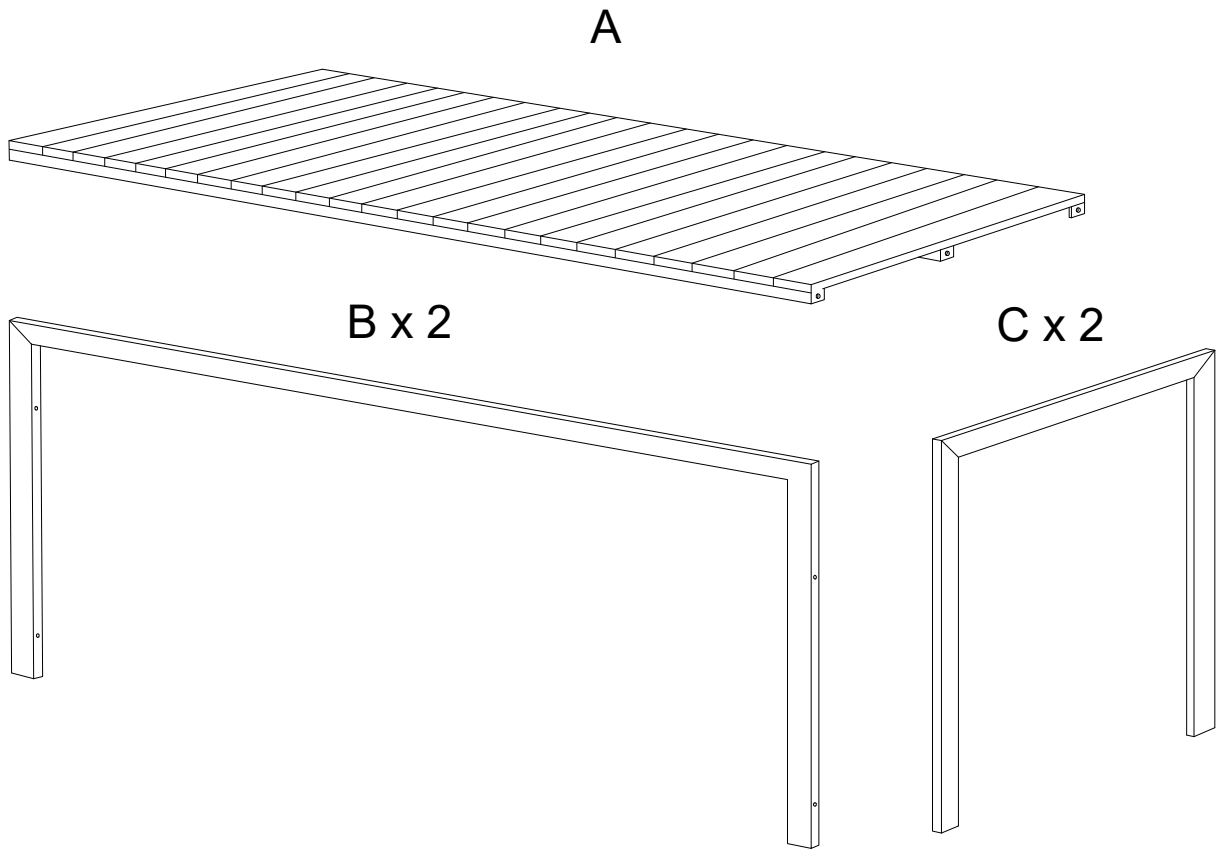
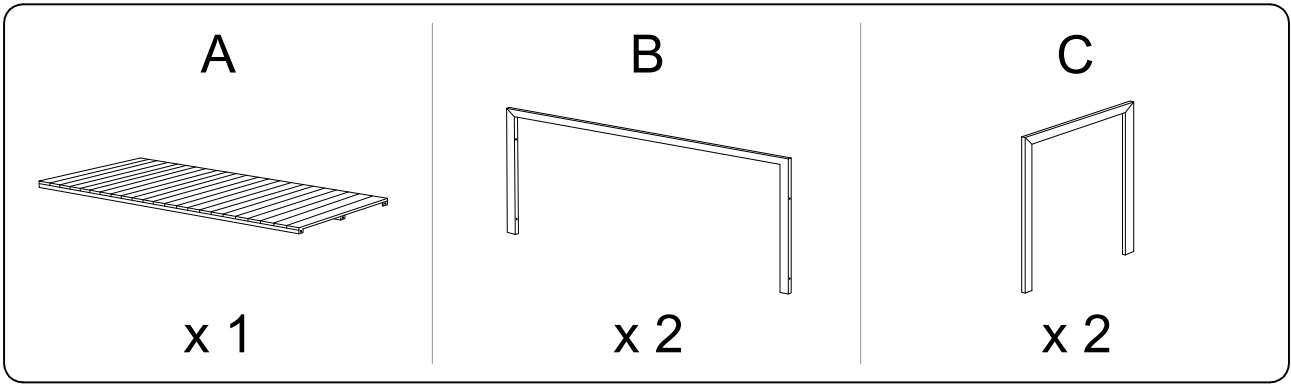


20'



1



1

A	B	C	D	E	F	G	H
x 1	x 2	x 2	x 8	x 4	x 8	x 8	x 1

