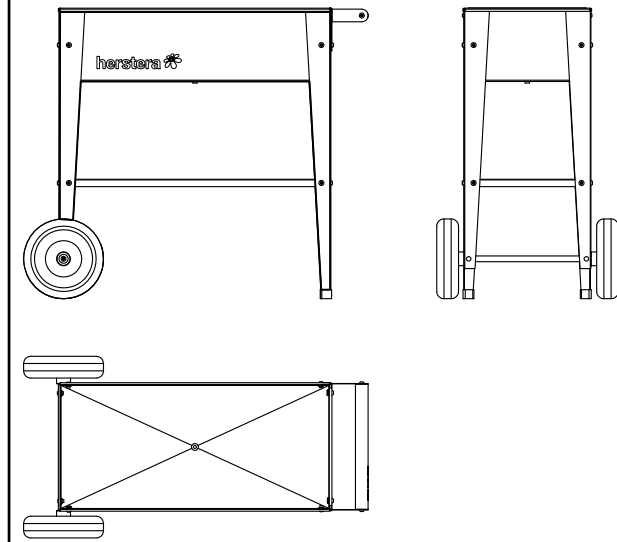
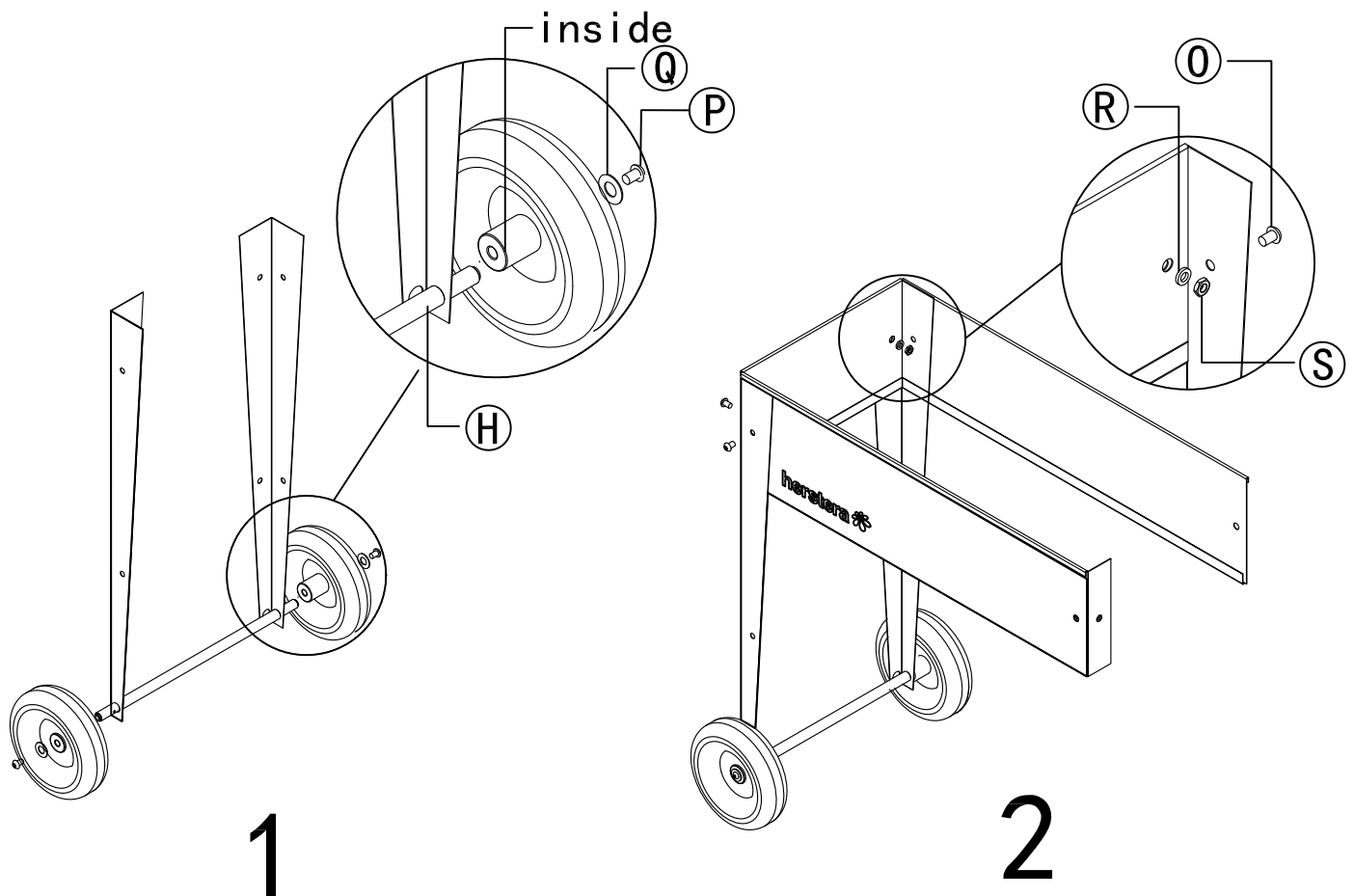
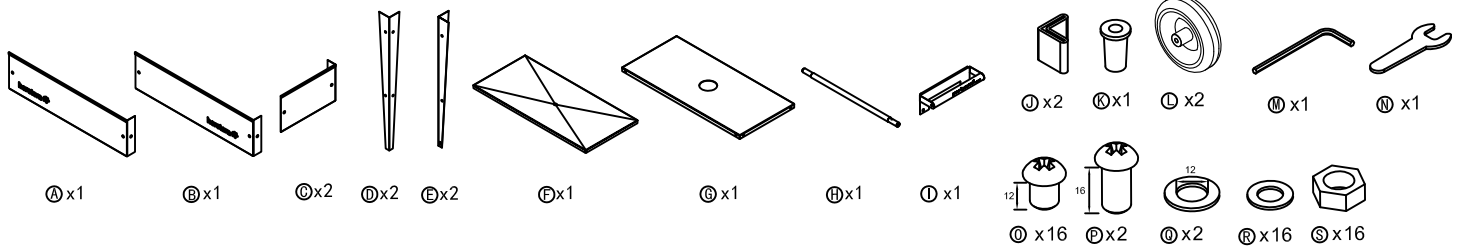
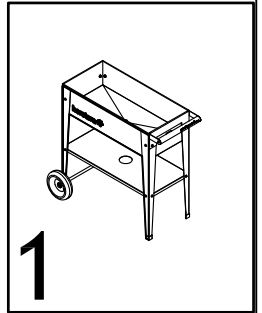


# instructions

- 1, the **Q** and **P** are different;
- 2, the **Q** and **R** are different;



**Herstera**



# instructions

- 1, firstly, have ① inserted in ②, and then screw with ③ and ④;
- 2, the ① and ③ are different;
- 3, the ④ and ⑤ are different;



Herstera

