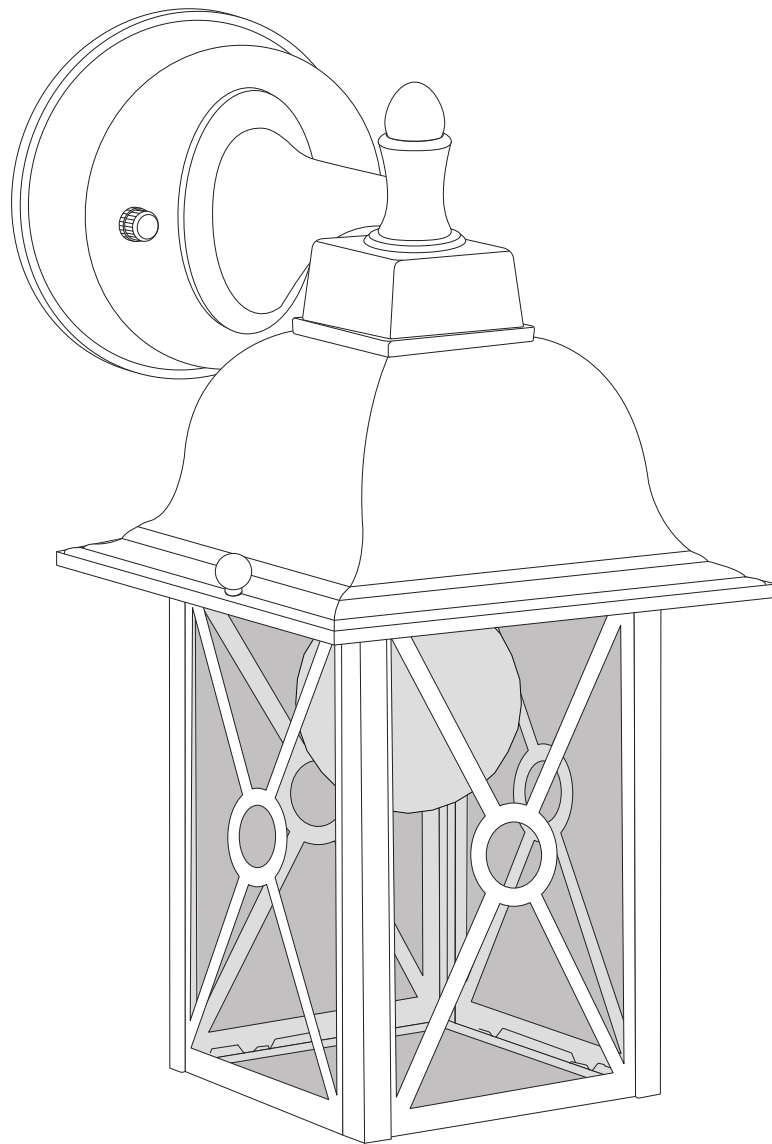
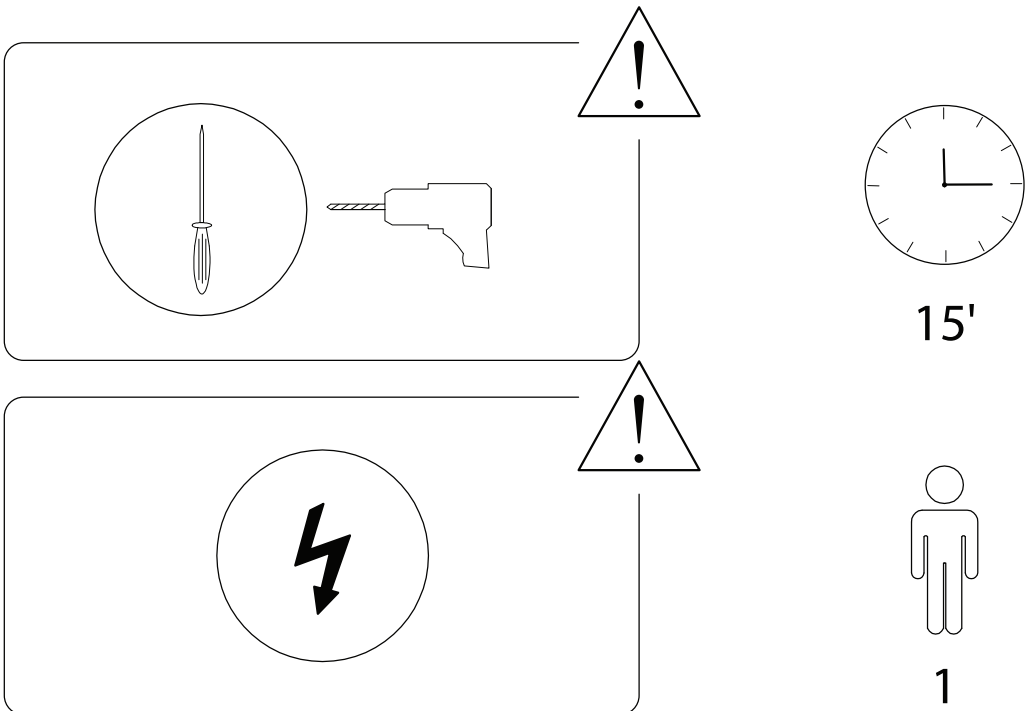
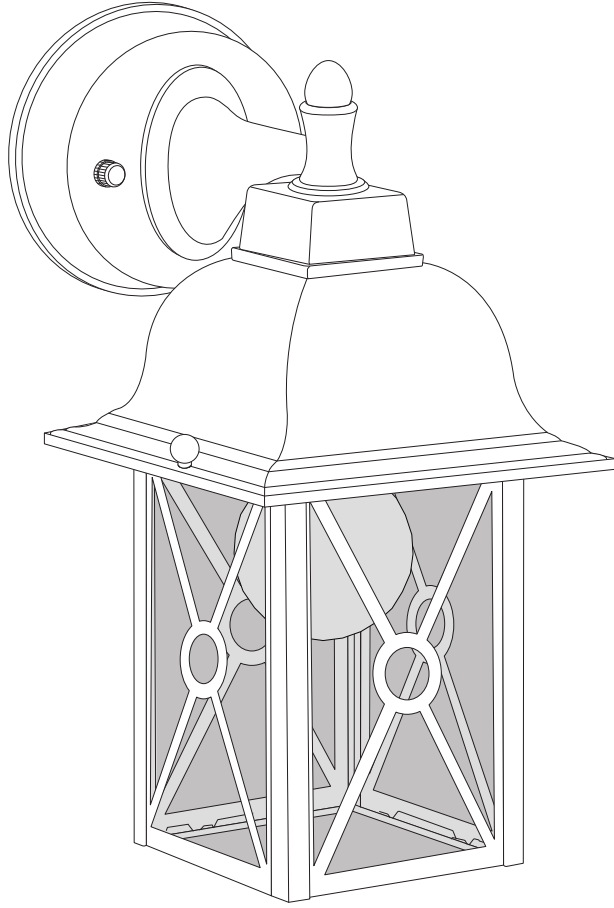
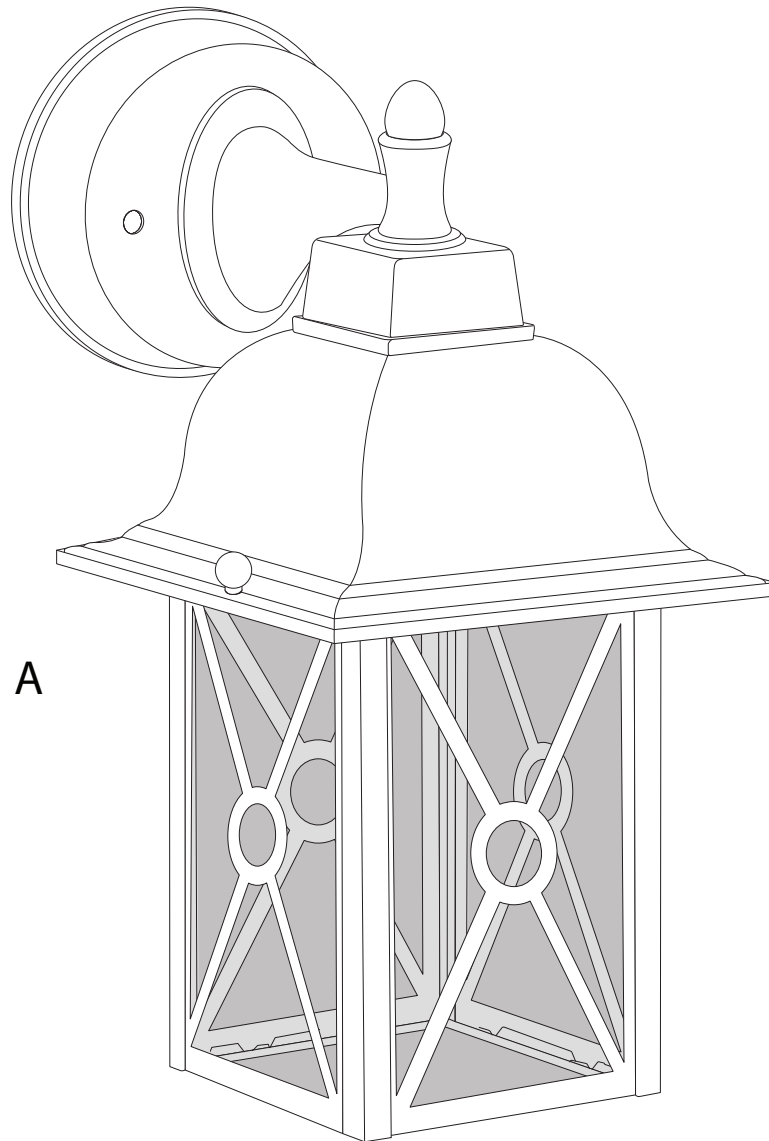


# FINDON







A

A	B	C	D	E
x 1	x 1	x 2	x 2	x 2

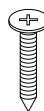
1

B



x 1

D

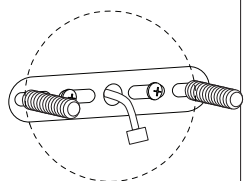


x 2

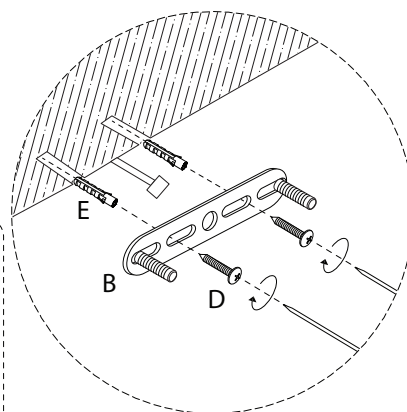
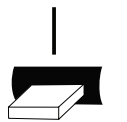
E



x 2



OFF



2

A

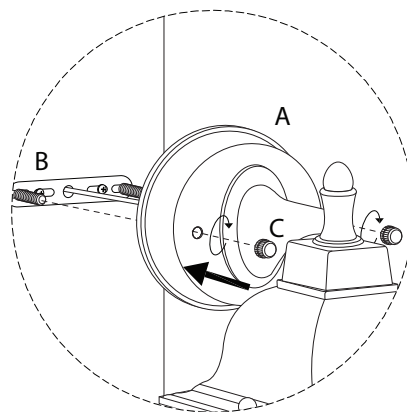
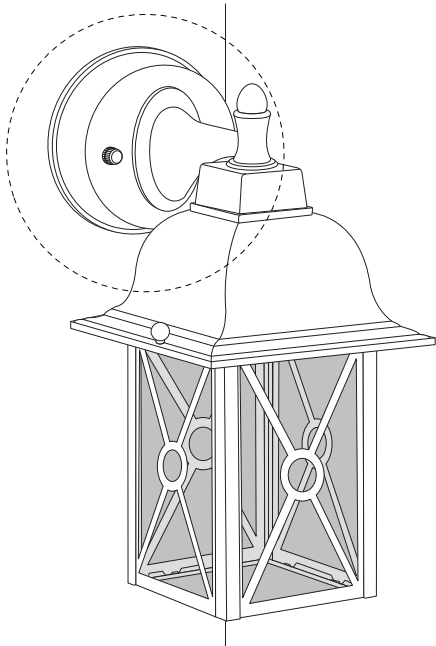


x 1

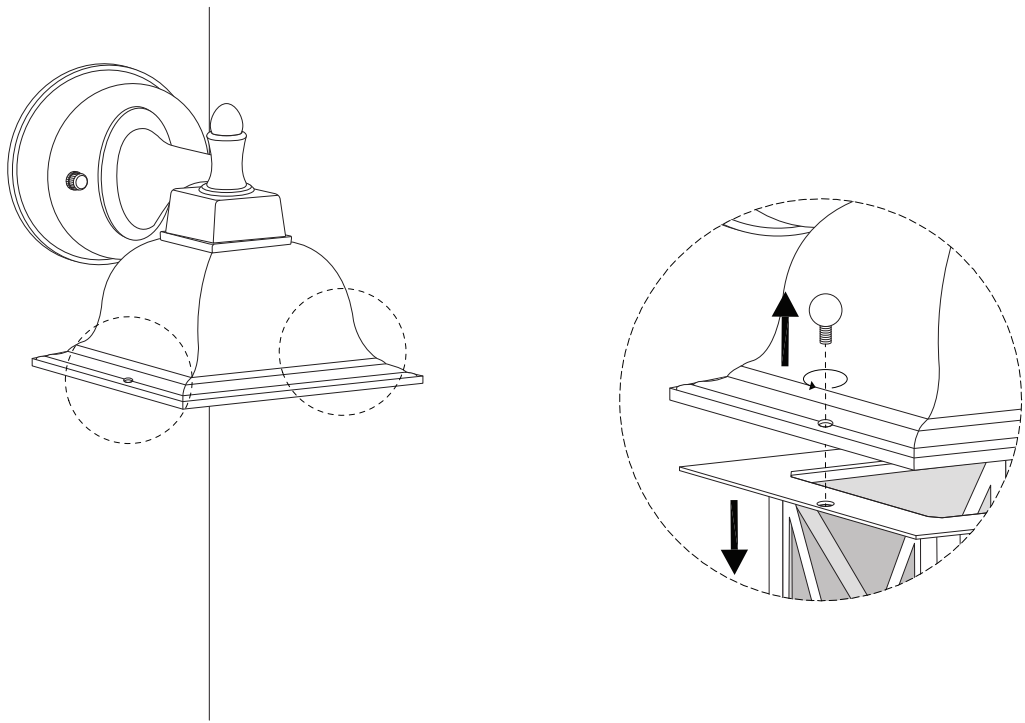
C



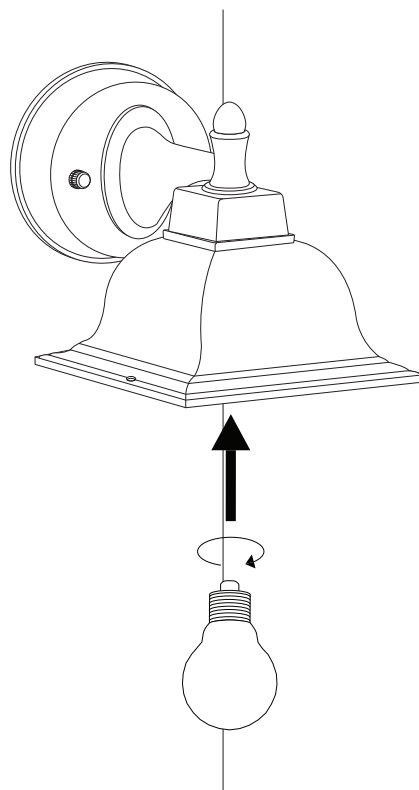
x 2



3



4



5

