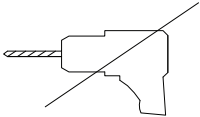

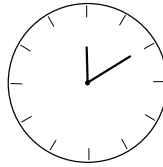
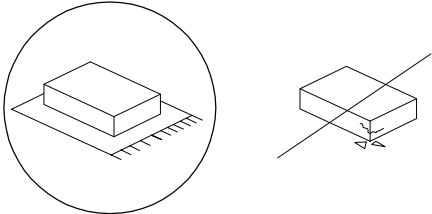




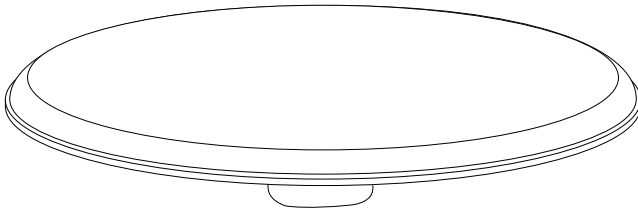
CHANDRA



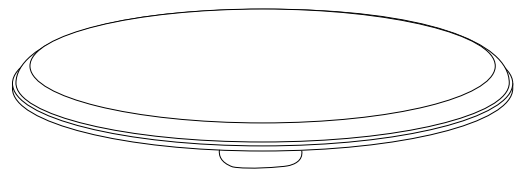


		
		<p>10'</p>
		
		<p>1</p>

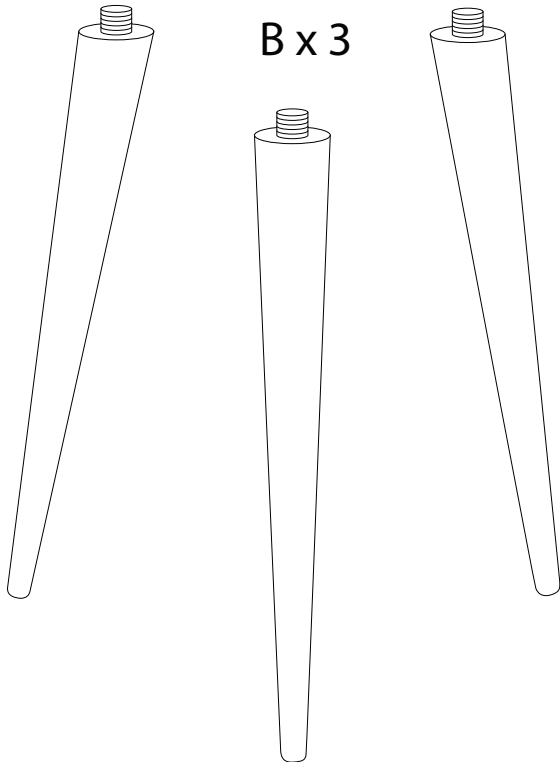
A



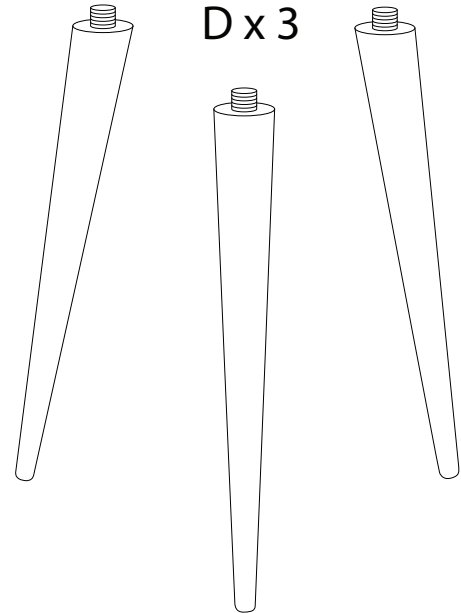
C



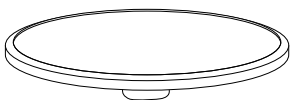
B x 3



D x 3



A



x 1

B



x 3

C



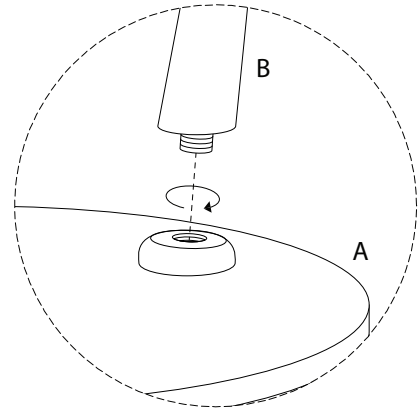
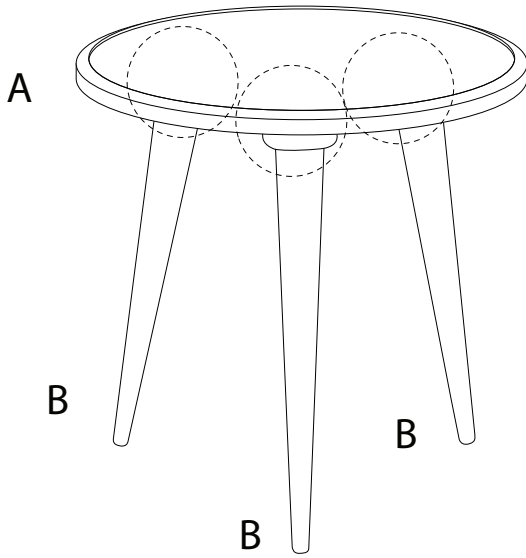
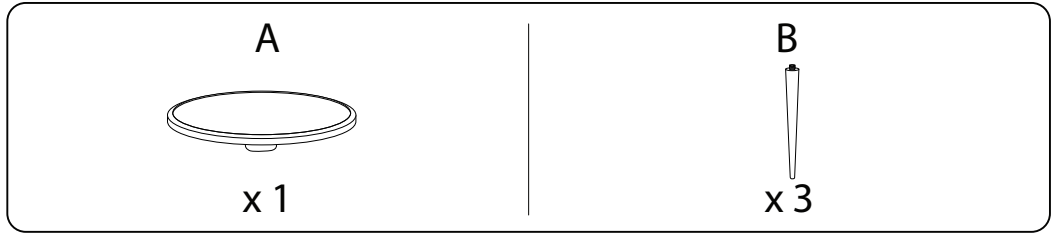
x 1

D



x 3

1



2

