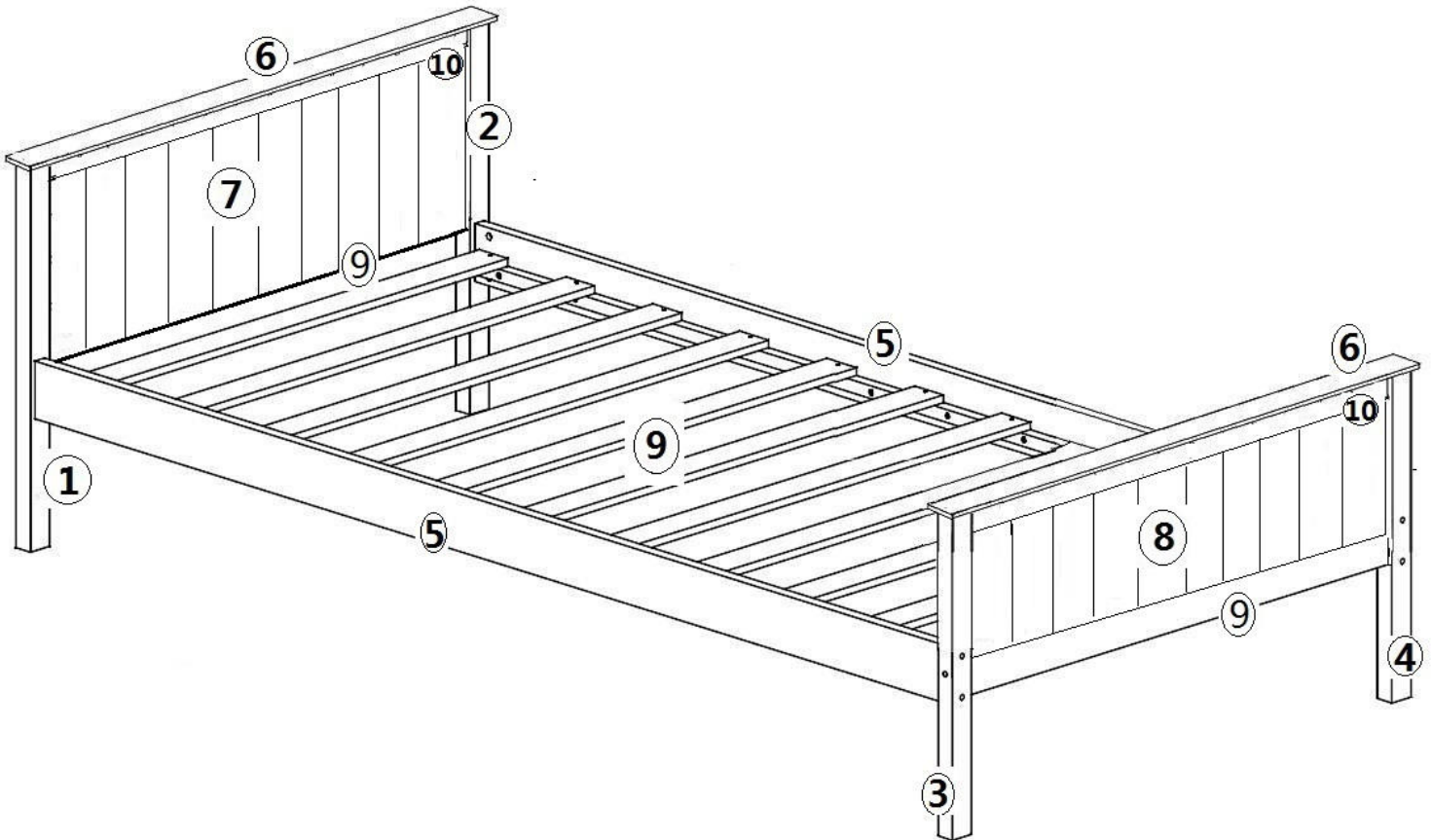

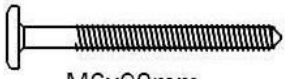



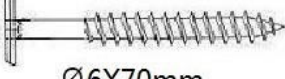



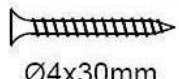



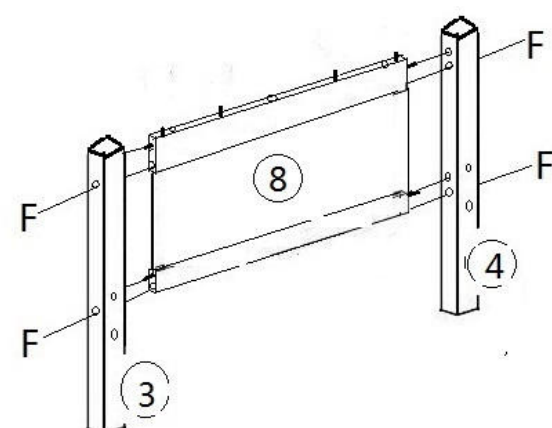
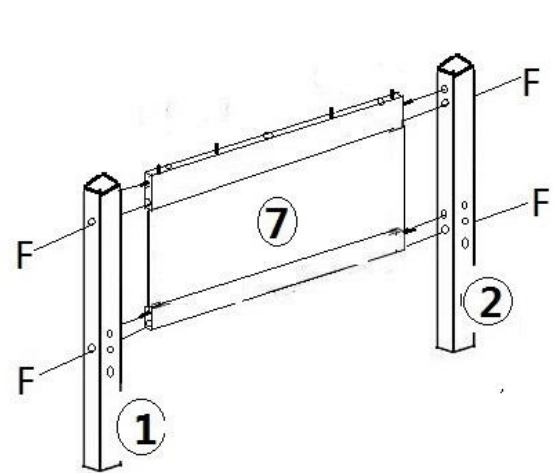
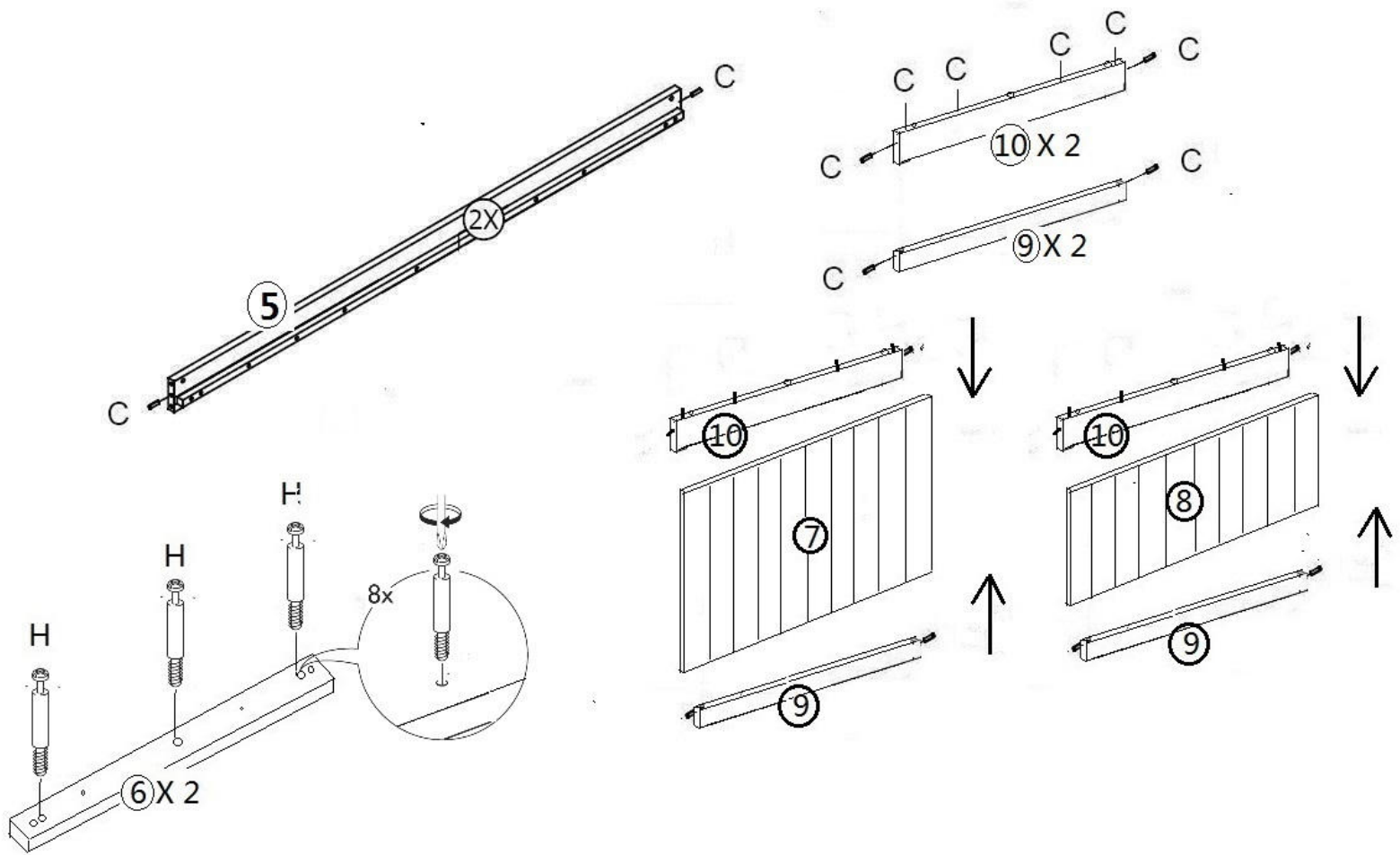




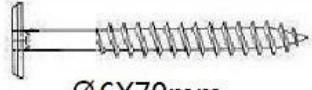
200 x 90cm

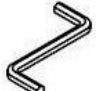
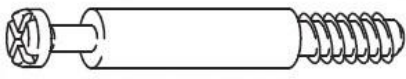


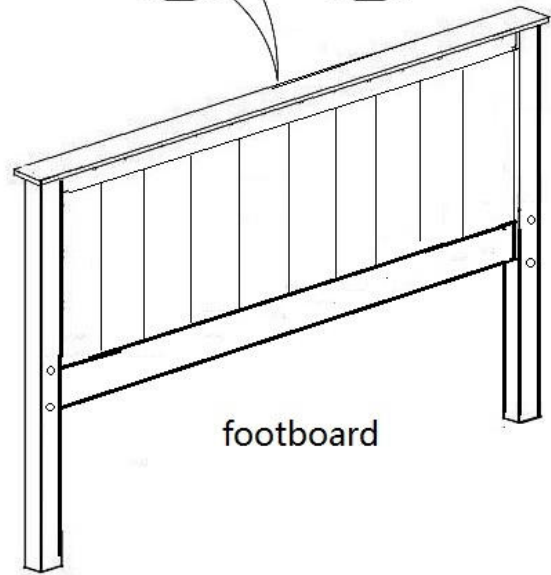
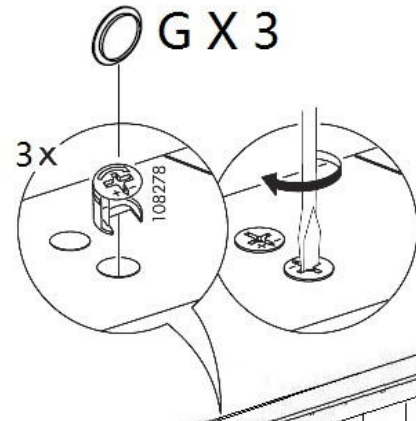
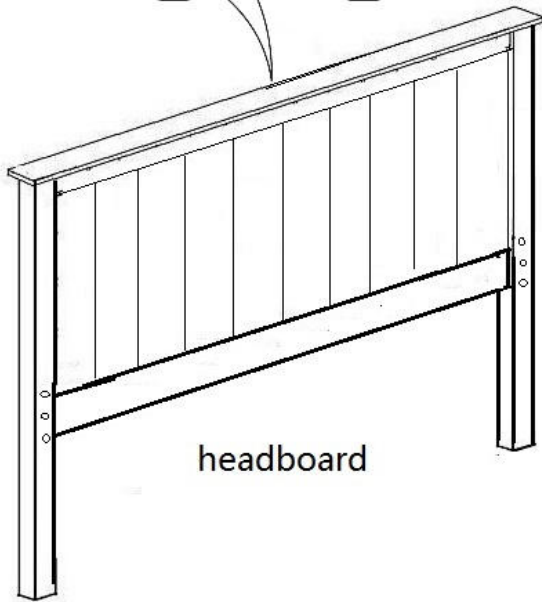
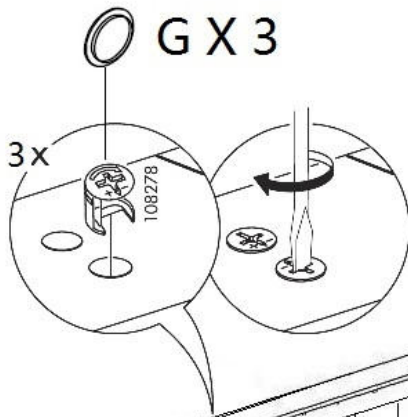
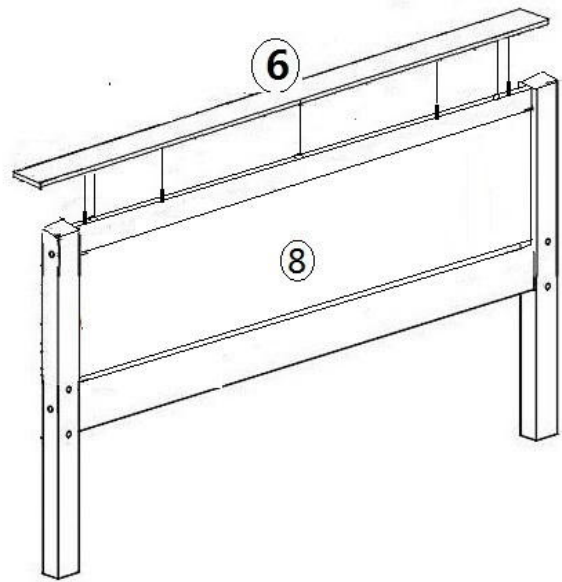
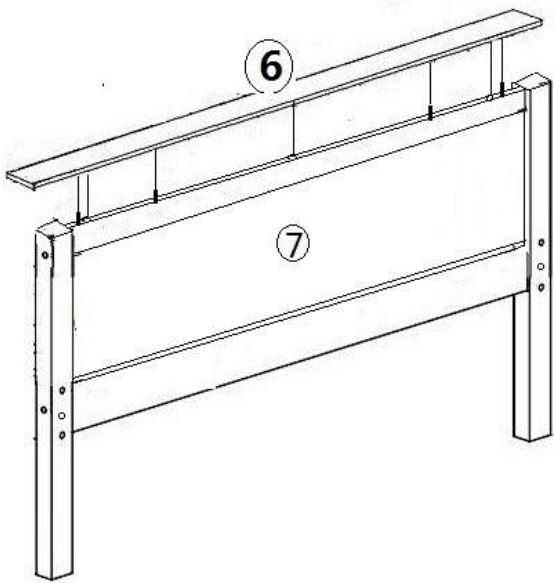
A	 15mm	 M6x90mm	8
B			8
C		 Ø8x30mm	20
F	 15mm	 Ø6X70mm	8
H			6



D			1
E	 8mm	 Ø4x30mm	22
G		  Ø15mm	6
K			6

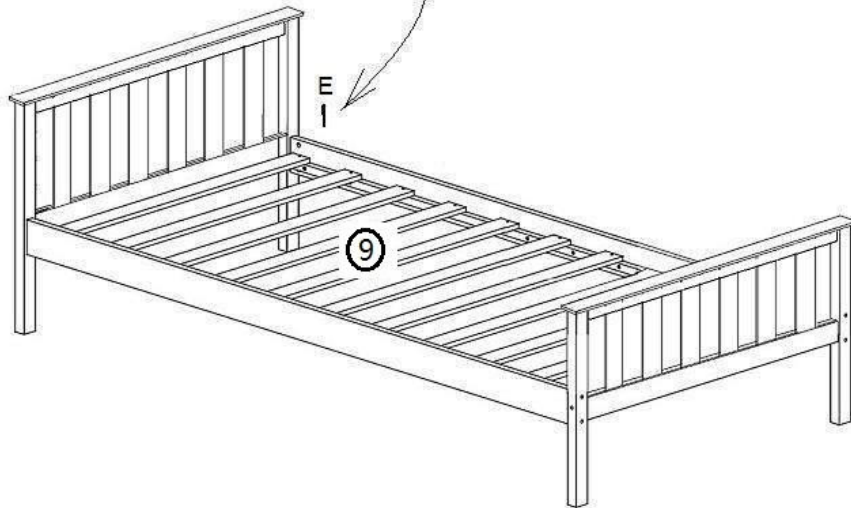
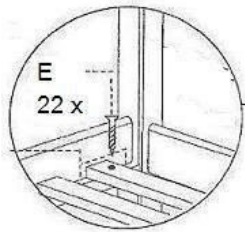
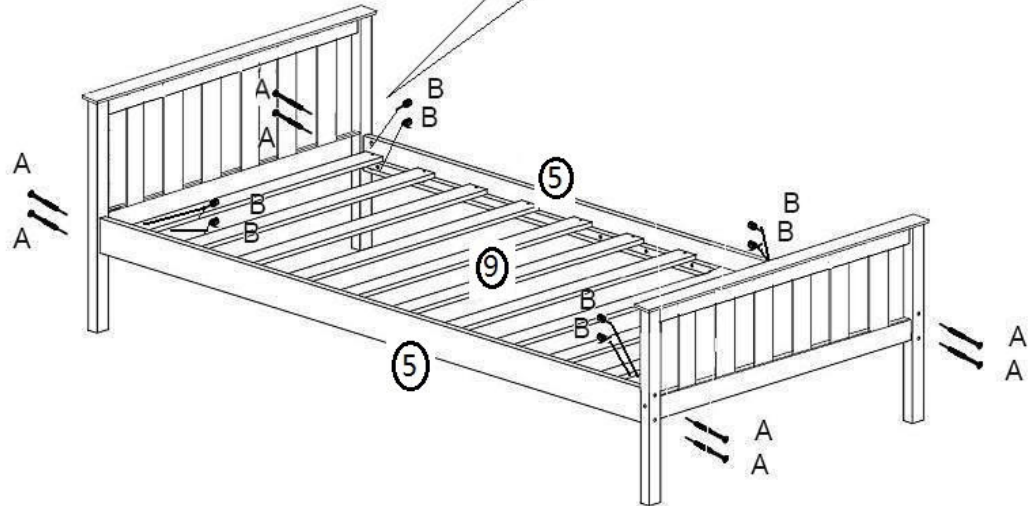
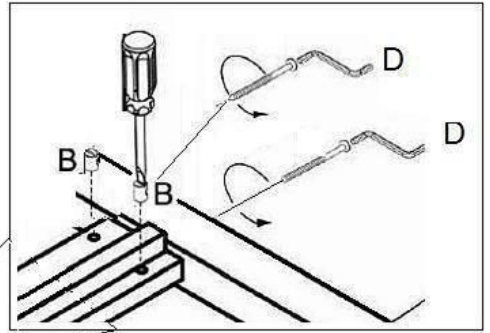



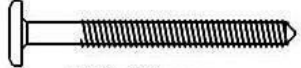

C	 Ø8x30mm	20
F	 15mm  Ø6X70mm	8



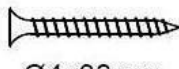
D		1
H		6



G	 Ø15mm	6
K		6



A	 15mm	 M6x90mm	8
B			8

D			1
E	 8mm	 Ø4x30mm	22