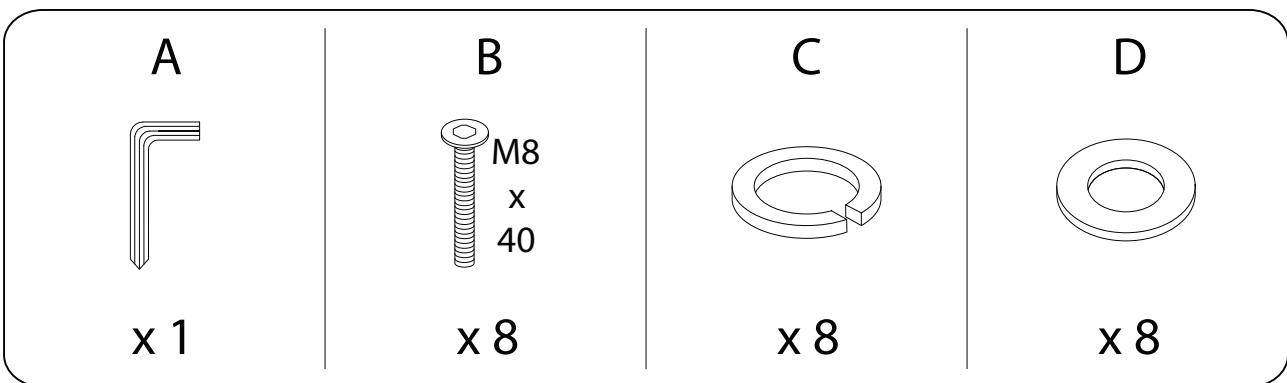
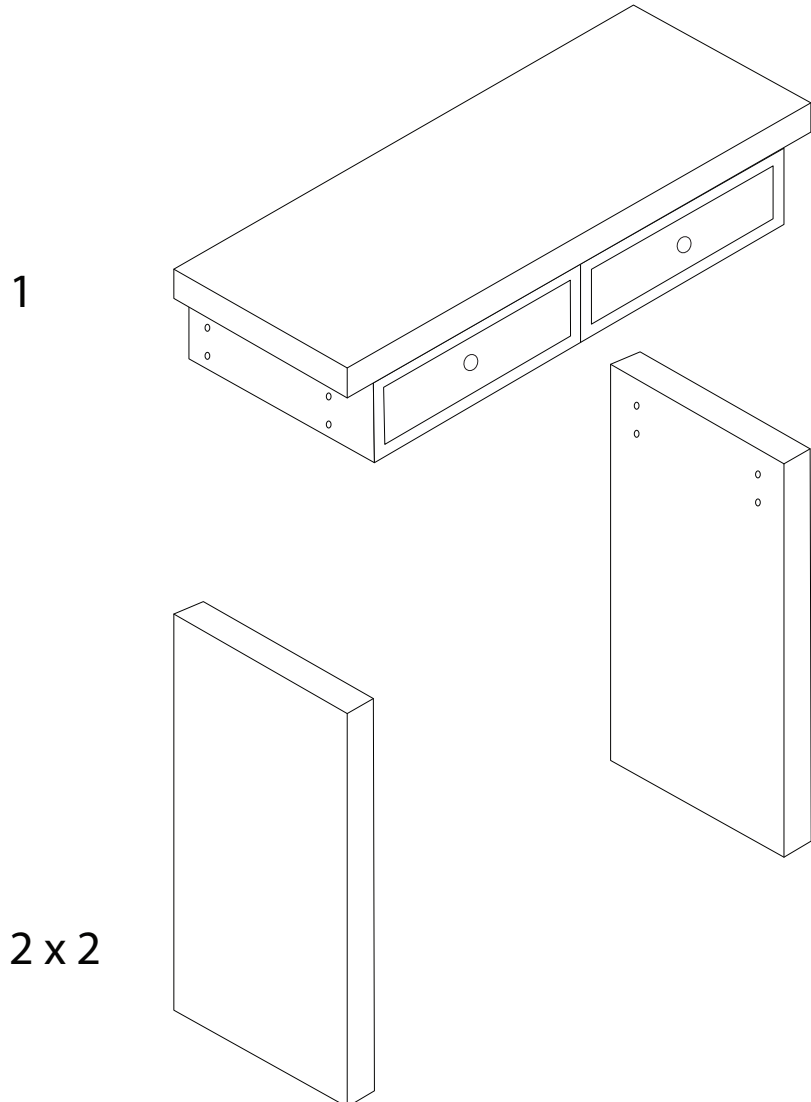
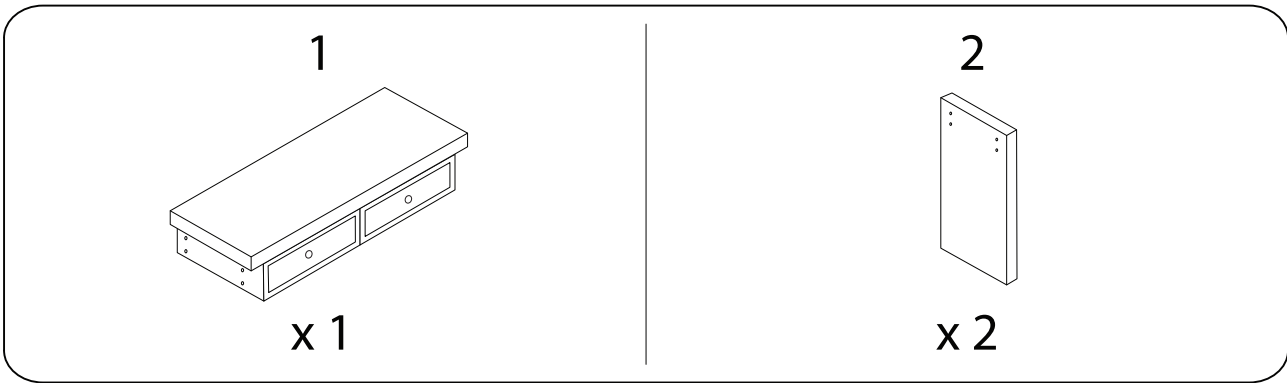
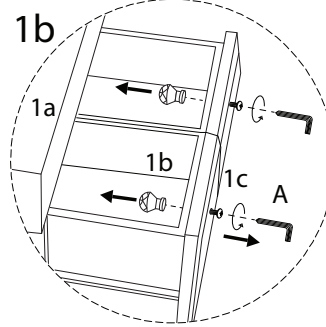
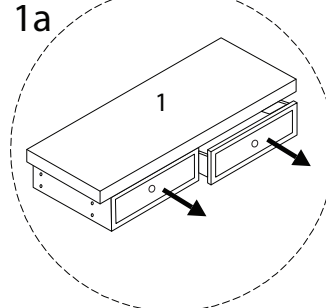
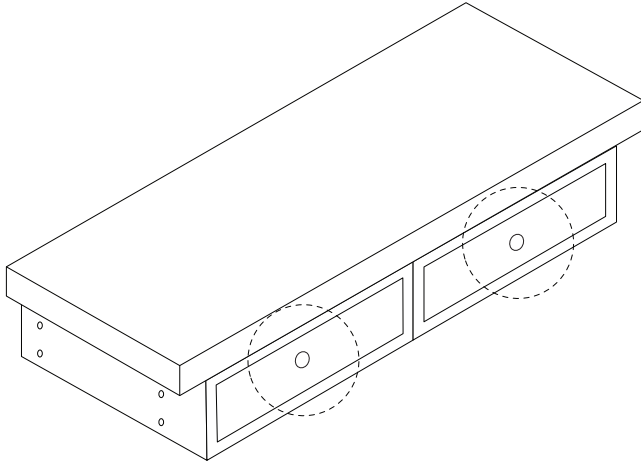
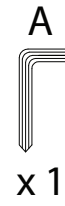
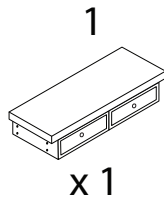


Diagram illustrating assembly steps and safety warnings:

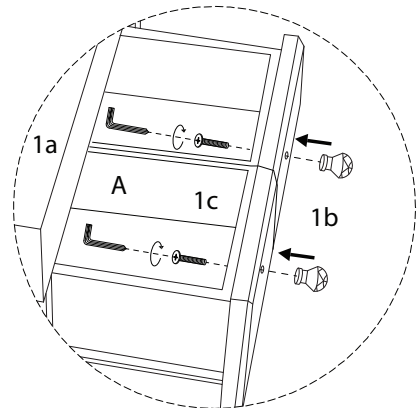
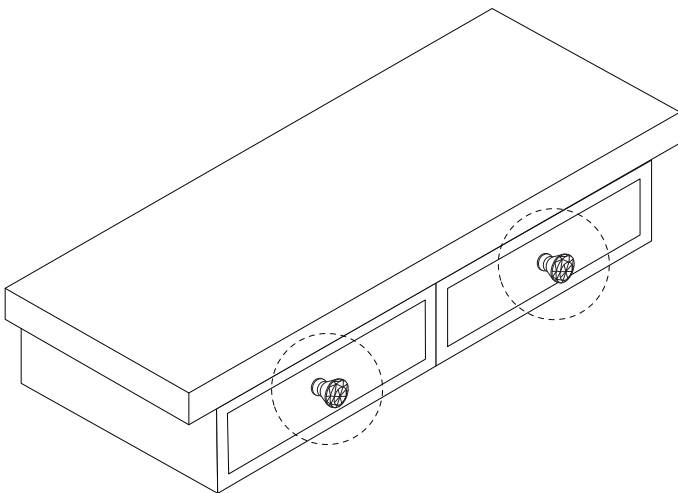
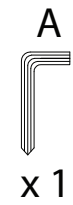
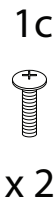
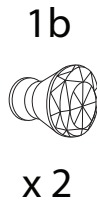
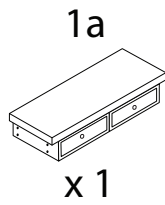
- Top Step:** Shows an L-shaped bracket being inserted into a hole. A power drill is shown with a diagonal line through it, indicating it should not be used. A warning triangle with an exclamation mark is positioned to the right.
- Time:** A clock icon indicates a duration of 30' (30 minutes).
- Bottom Step:** Shows a rectangular block being placed on a surface. A second block is shown below it with a diagonal line through it, indicating it should not be used. A warning triangle with an exclamation mark is positioned to the right.
- Person:** A stick figure icon indicates that 1 person is required for this step.
- Page Number:** The fraction 1/4 is displayed at the bottom center.



1



2



3

