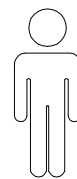
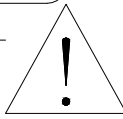
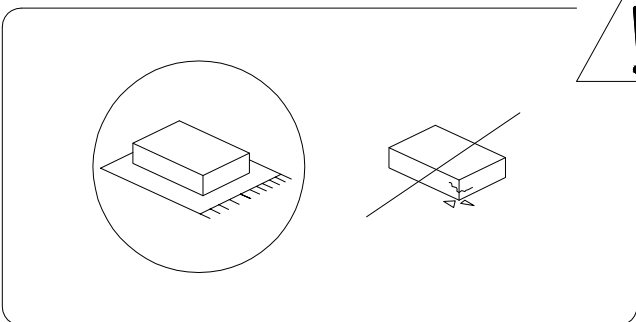
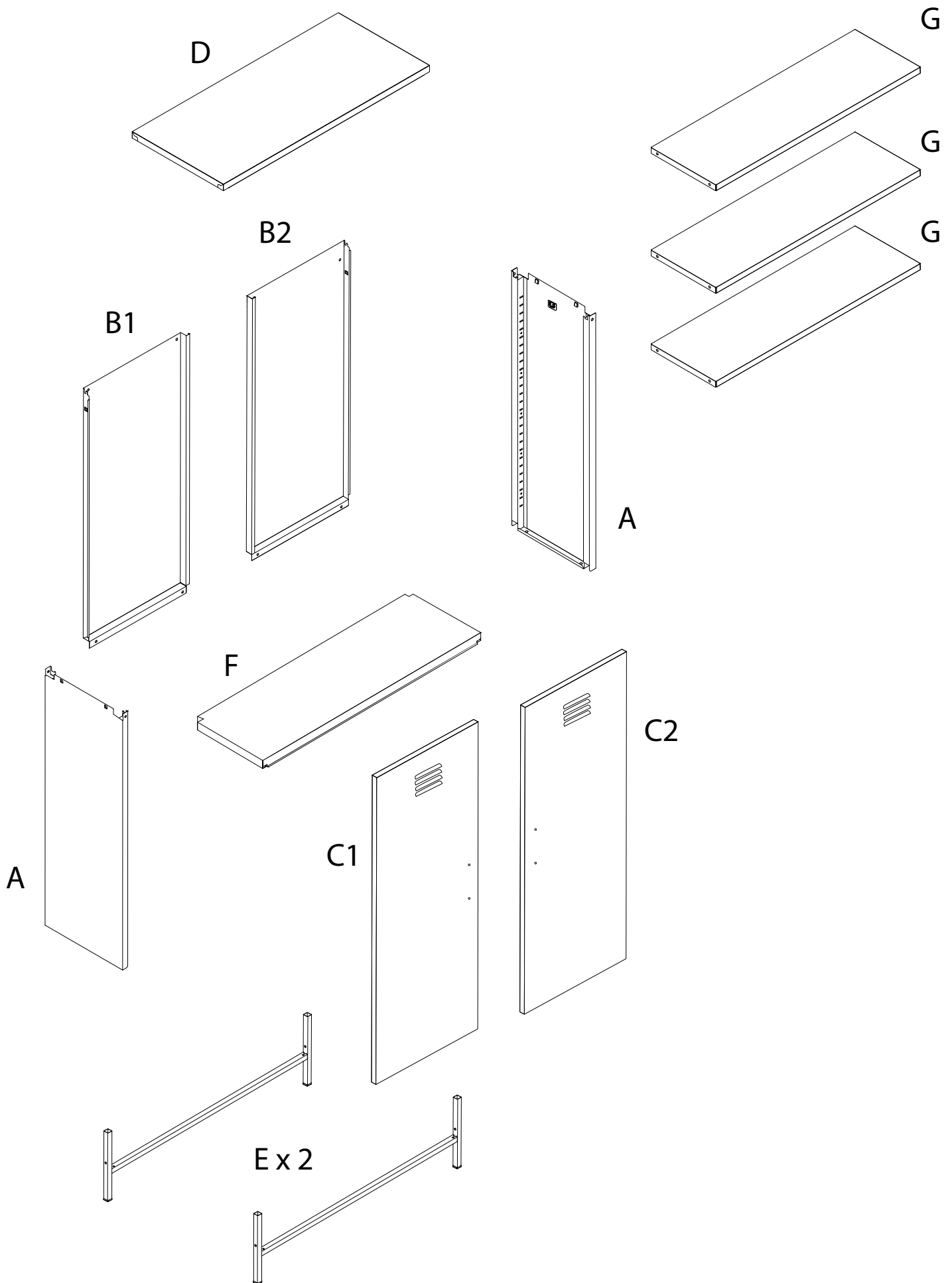


40'



1

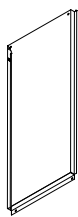


A



x 2

B1



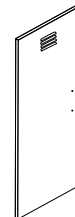
x 1

B2



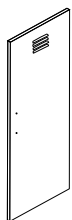
x 1

C1



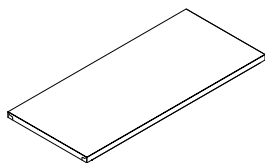
x 1

C2



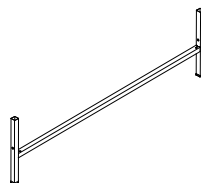
x 1

D



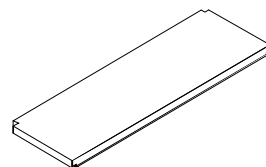
x 1

E



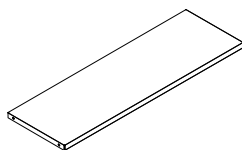
x 2

F



x 1

G



x 3

1



x 2

2



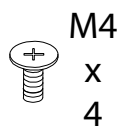
x 2

3



x 2

4



x 4

5



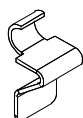
x 4

6



x 2

7



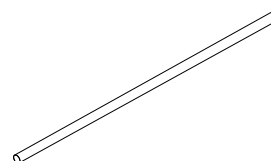
x 12

8



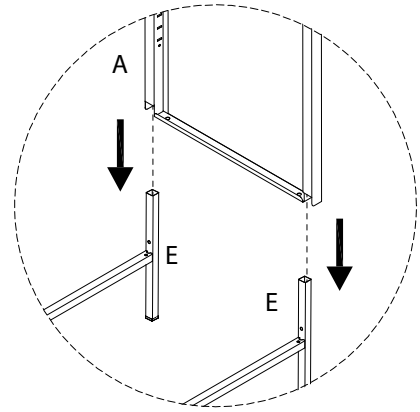
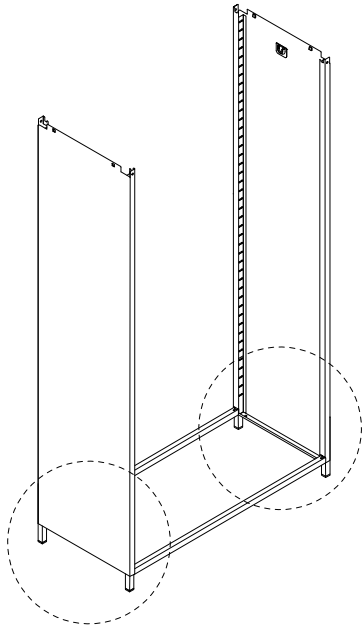
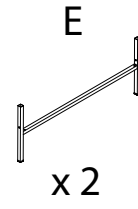
x 5

9

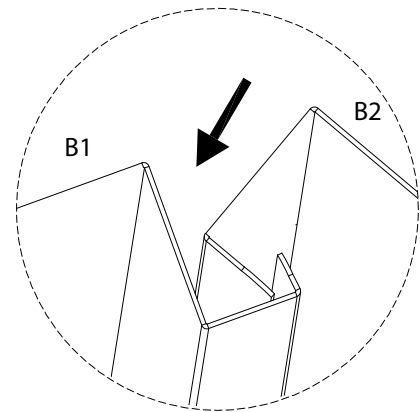
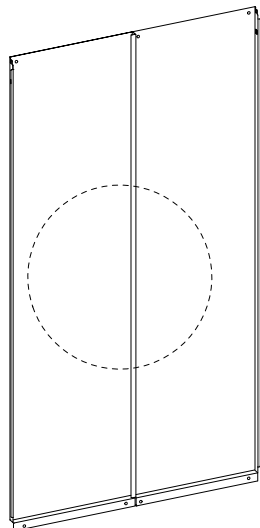


x 1

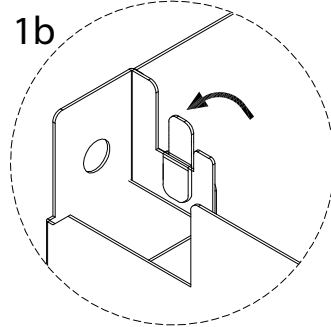
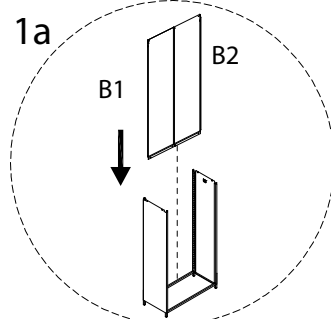
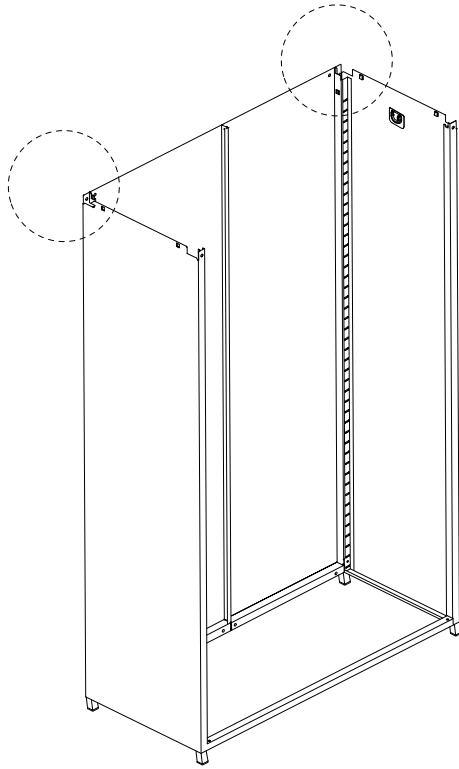
1



2



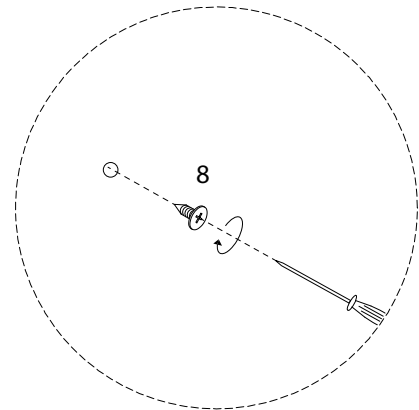
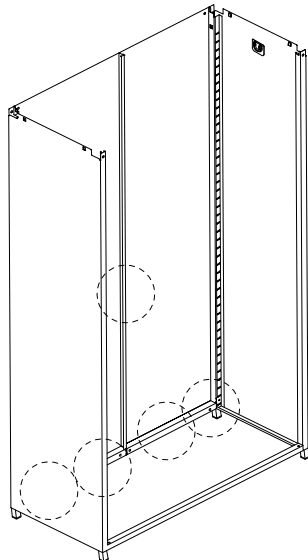
3



4

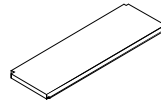
8

M5
x
12
x 5

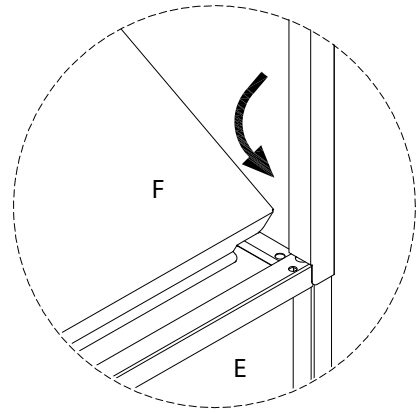
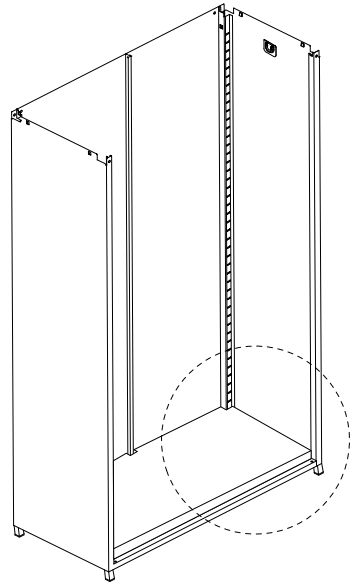


5

F

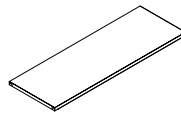


x 1

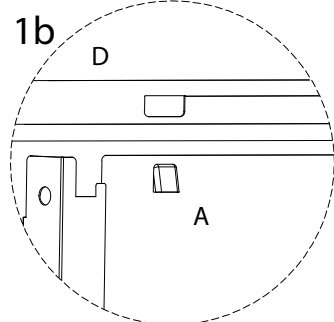
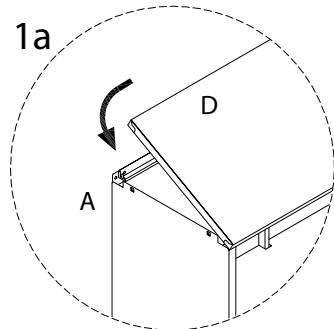
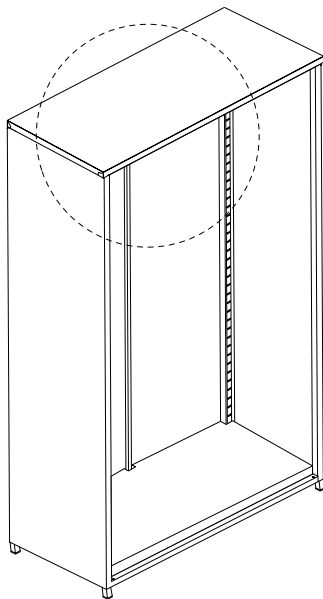


6

D

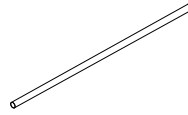


x 1

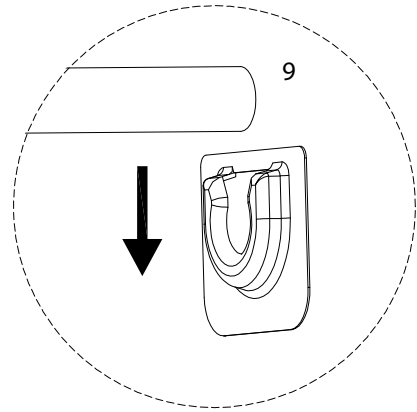
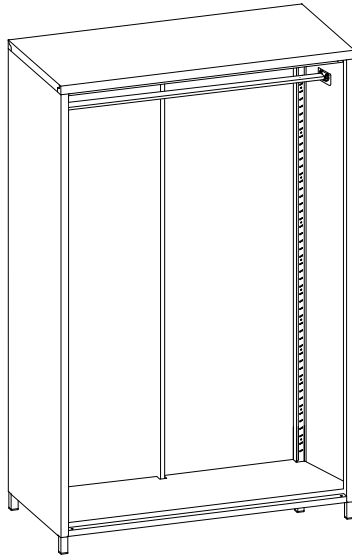


7

9



x 1

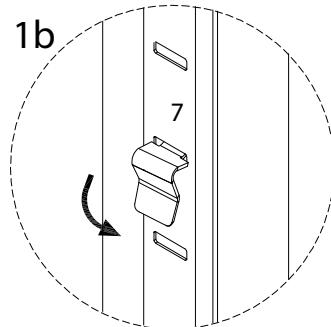
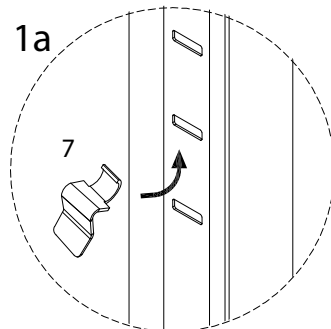
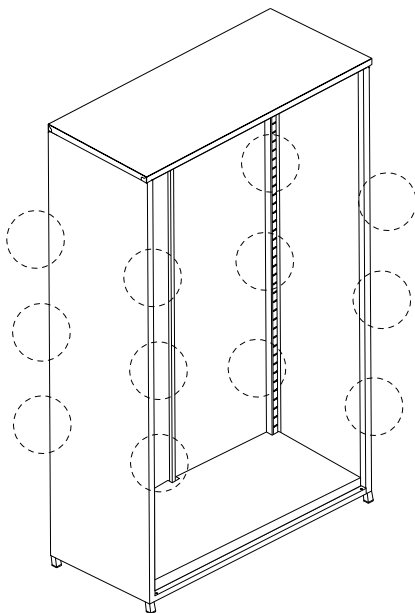


8

7

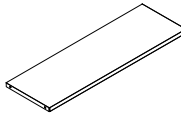


x 12

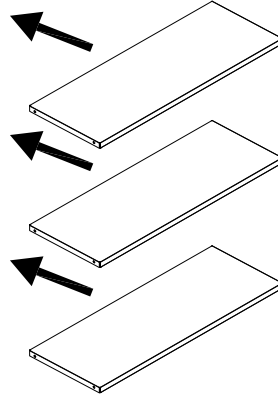
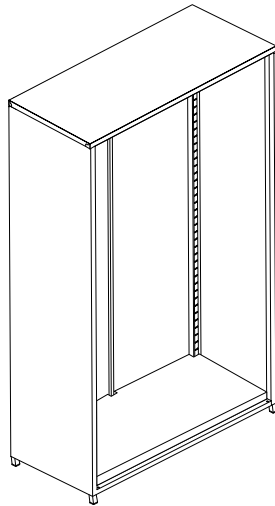


9

G



x 3



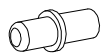
G

G

G

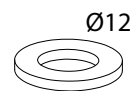
10

2

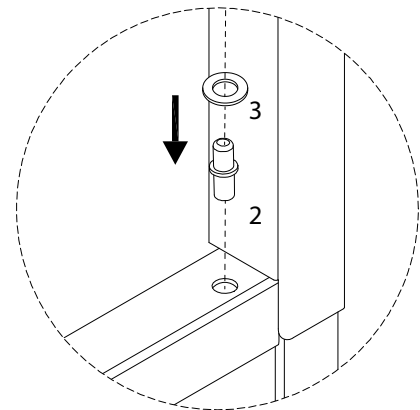
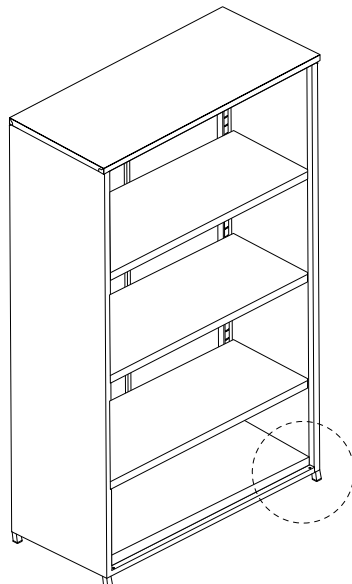


x 2

3



x 2

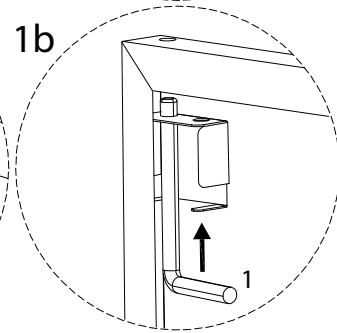
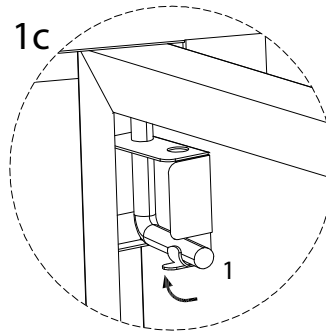
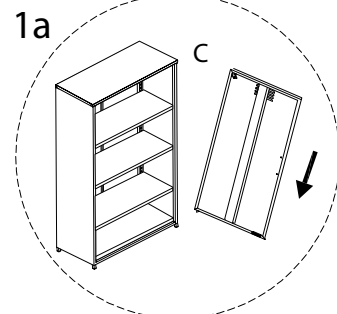
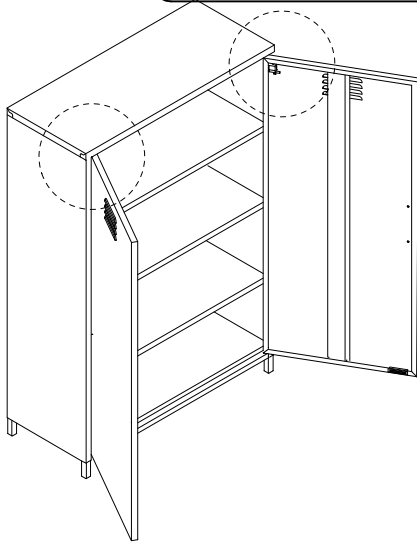


11

C1
x1

C2
x1

1
x2



12

4
M4
x 4
x 4

5
Ø9
x 4

6
x 2

