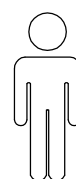
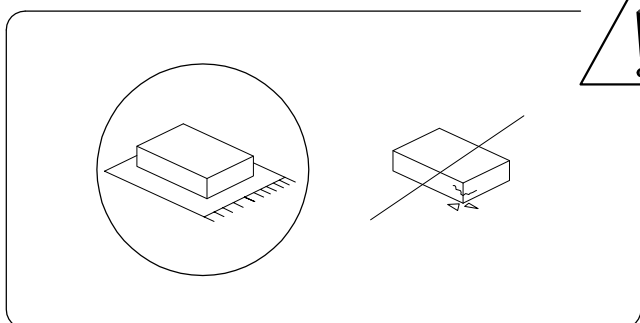
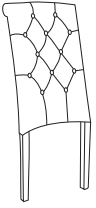
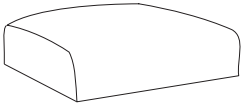

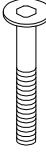


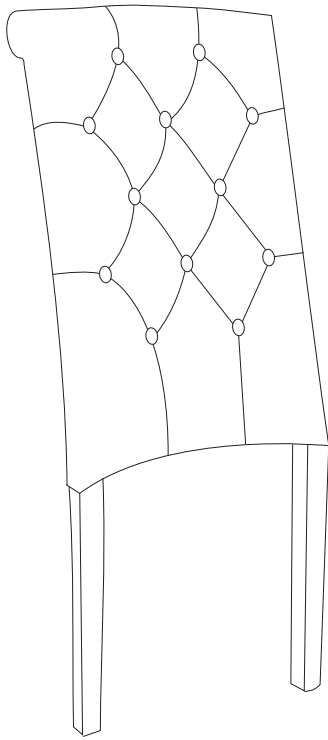
10'



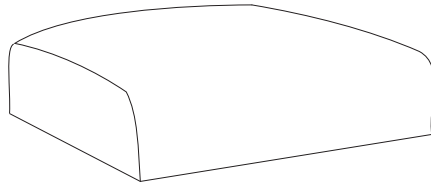
1

1/4

<b>A</b>  <b>x 1</b>	<b>B</b>  <b>x 1</b>	<b>C</b>  <b>x 2</b>	<b>D</b>  <b>M8 x 60</b> <b>x 5</b>
---	---	---	---



**A**

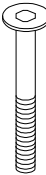

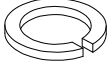
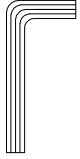


**B**

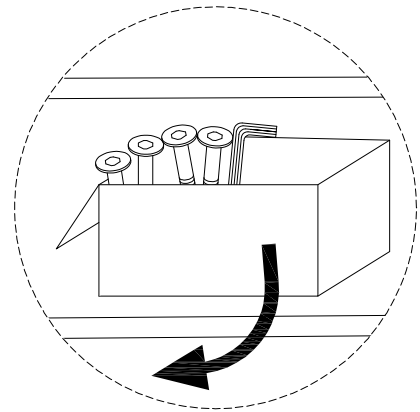
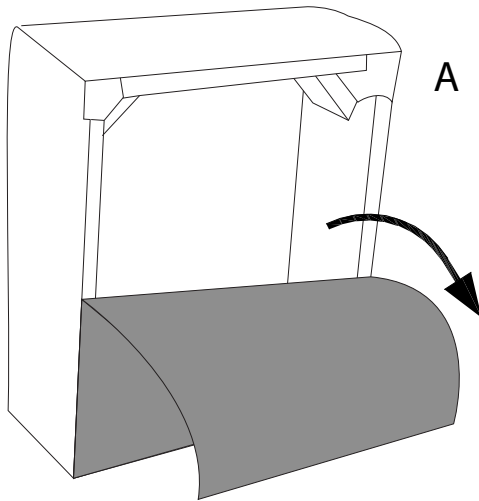


**C x 2**







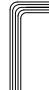


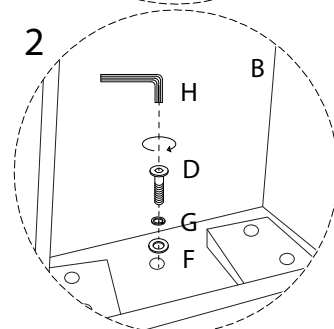
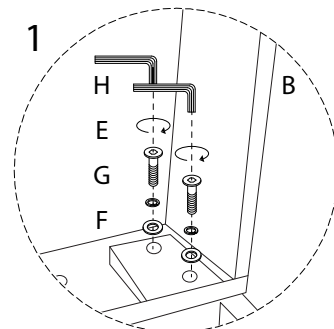
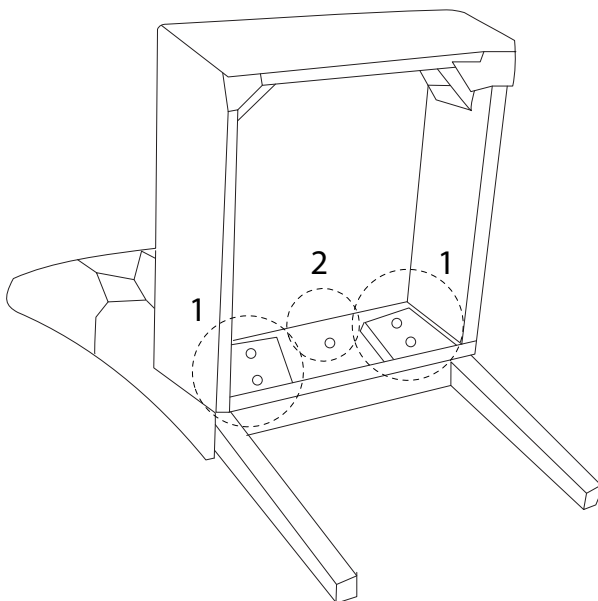
<b>E</b>  <b>M8 x 80</b> <b>x 4</b>	<b>F</b>  <b>x 9</b>	<b>G</b>  <b>x 9</b>	<b>H</b>  <b>x 1</b>
---	---	--	---

!

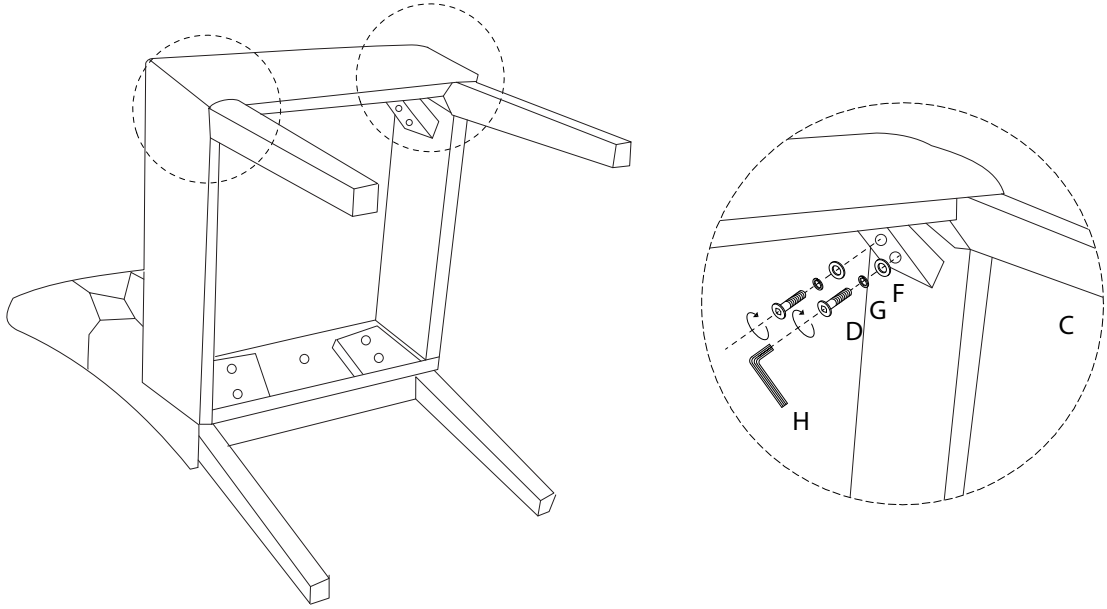
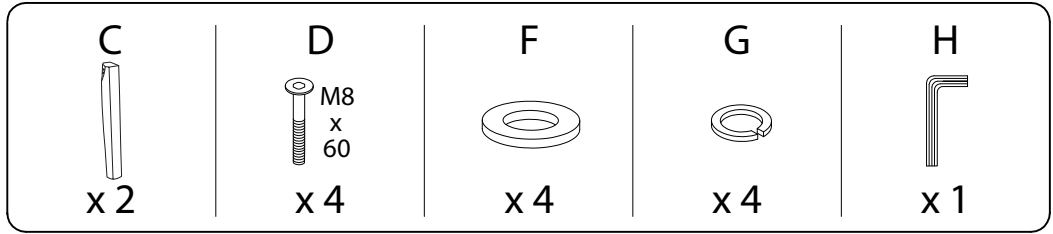


1

<b>A</b>  x 1	<b>B</b>  x 1	<b>D</b>  x 1	<b>E</b>  x 4	<b>F</b>  x 5	<b>G</b>  x 5	<b>H</b>  x 1
--	--	--	--	---	--	--



2



!

