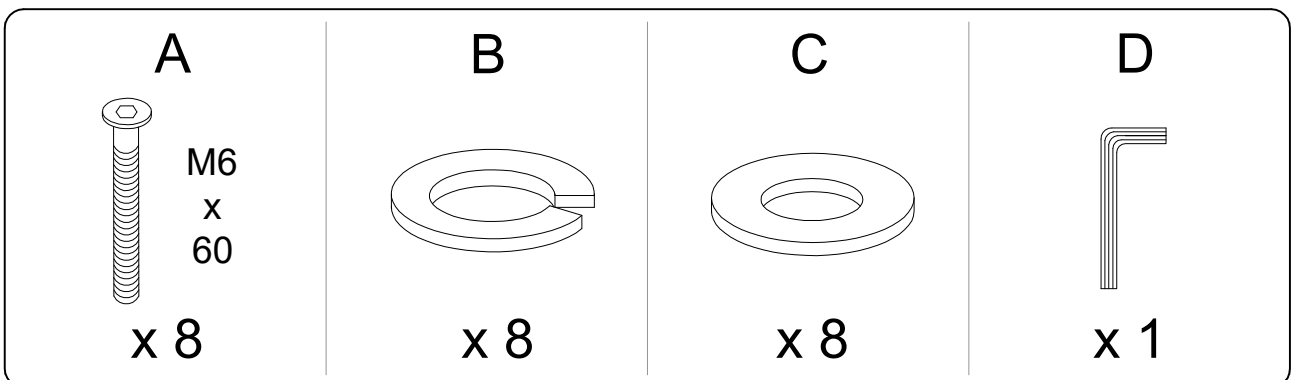
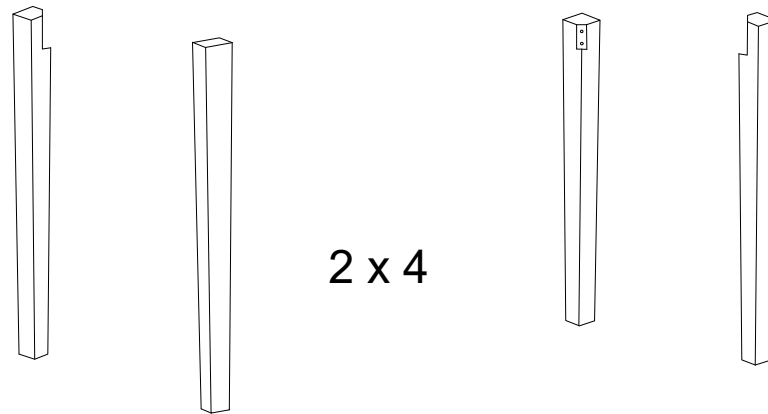
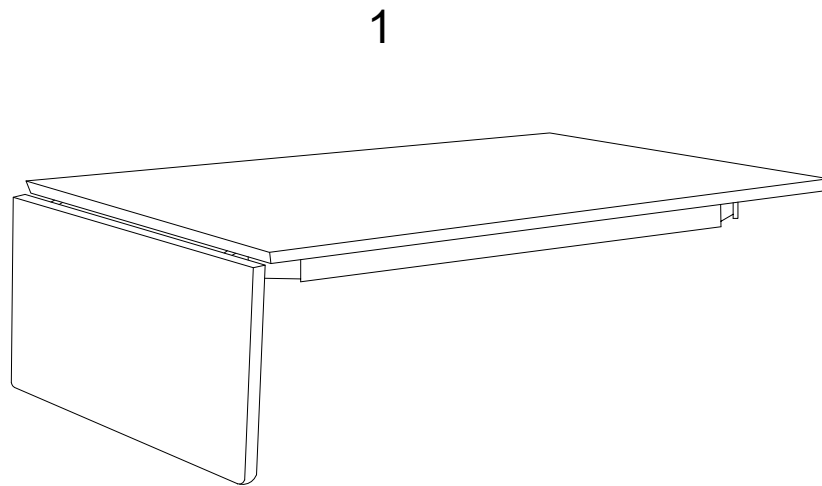
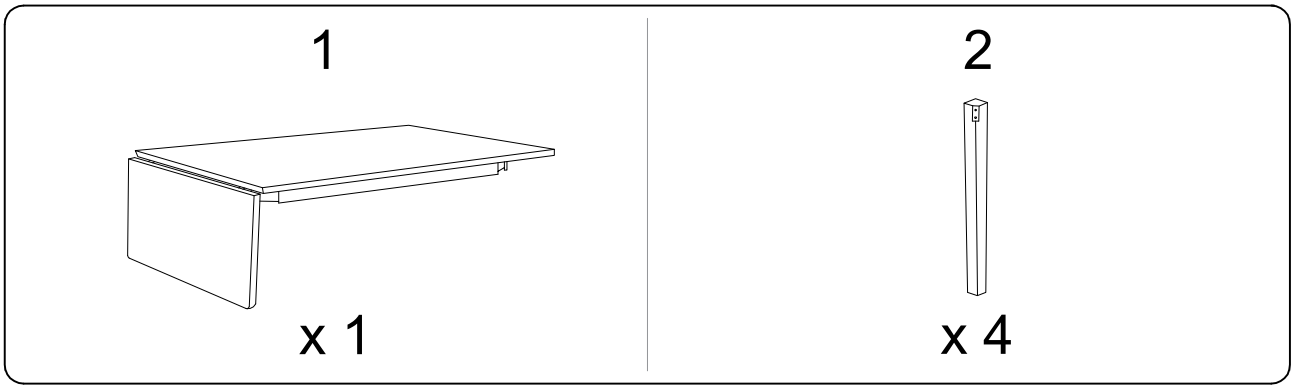
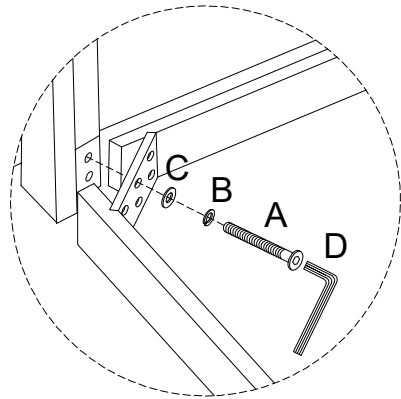
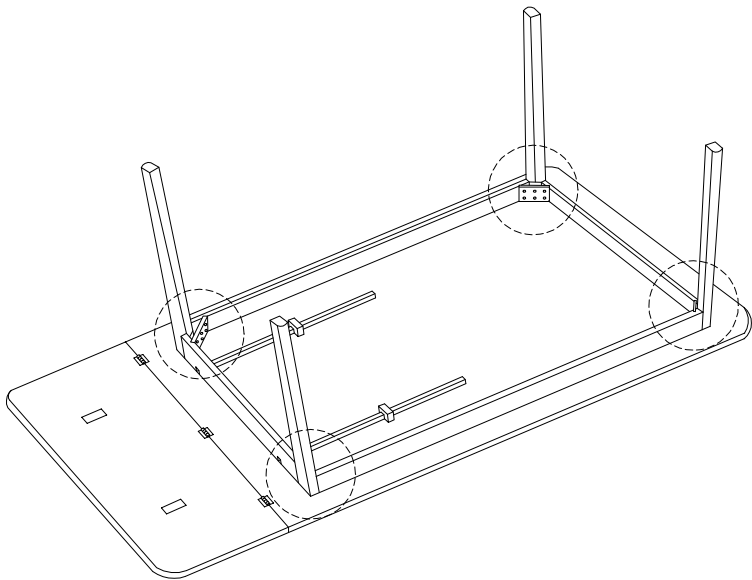
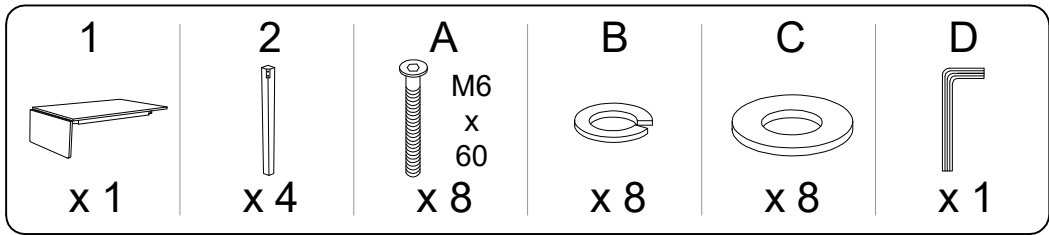


Diagram illustrating assembly instructions and safety warnings:

- Warning 1:** A triangle with an exclamation mark. Below it, a box contains an L-shaped corner bracket and a power drill with a slash through it, indicating that a power drill should not be used for this step.
- Warning 2:** A triangle with an exclamation mark. Below it, a box contains a rectangular block being placed on a surface and a diagram showing a block being cut with a saw, indicating that the block should not be cut.
- Time:** A clock icon with the text "30'" below it, indicating an estimated assembly time of 30 minutes.
- Person:** An icon of a person with the number "1" below it, indicating that one person is required for assembly.



1



2

