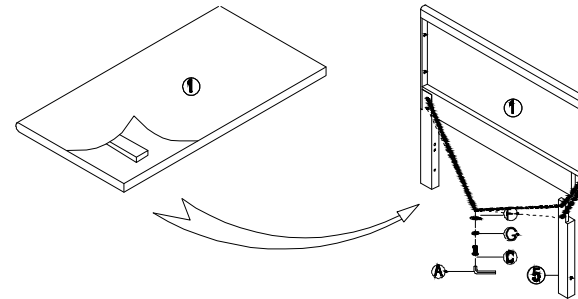
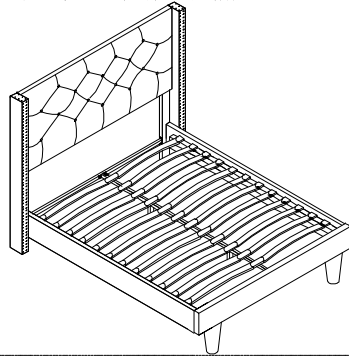
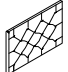


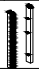


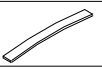
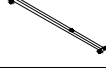















ASSEMBLY INSTRUCTIONS
ITEM NO: MLM-170951 QUEN&FULL



Parts List

-  #1 x 1pc
Headboard
-  #2 x 1pc
Footboard
-  #3 x 2pcs
Side Rail
-  #4 x 2pcs
Wings
-  #5 x 2pcs (L & R)
HB leg
-  #6 x 2pcs
FB feet
-  #7 x 24pcs
Slats
-  #8 x 1 pc
Support rail
-  #9 x 2 pcs
Support leg
-  #10 x 1pcs
Stretcher for HB
-  #11 x 2 4pcs
End Cap
-  #12 x 1 2pcs
Center Plastic Connector

Hardware List

-  #A x 1pcs
Allen Key
-  #B x 14 pcs
Bolt Ø5/16"X1-1/2"
-  #C x 14 pcs
Bolt Ø5/16"X2"
-  #D x 2 pcs
Bolt Ø5/16"X 5"
-  #E x 20 pcs
Flat Washer Ø5/16"X19MM
-  #F x 10 pcs
Flat Washer Ø5/16"X22MM
-  #G x 30 pcs
Spring Washer
-  #H x 6 pcs
Nut
-  # I x 1 pc
Box Wrench

