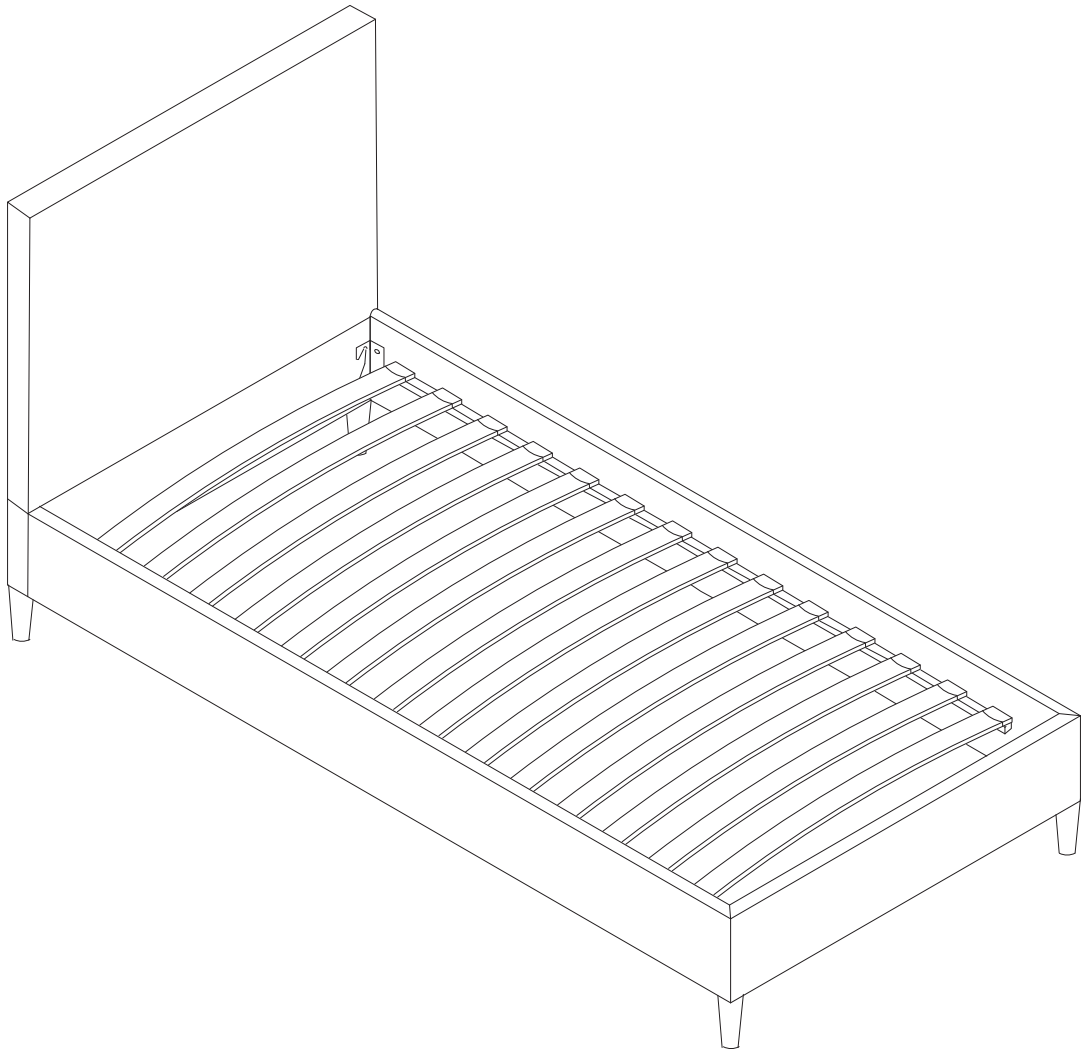
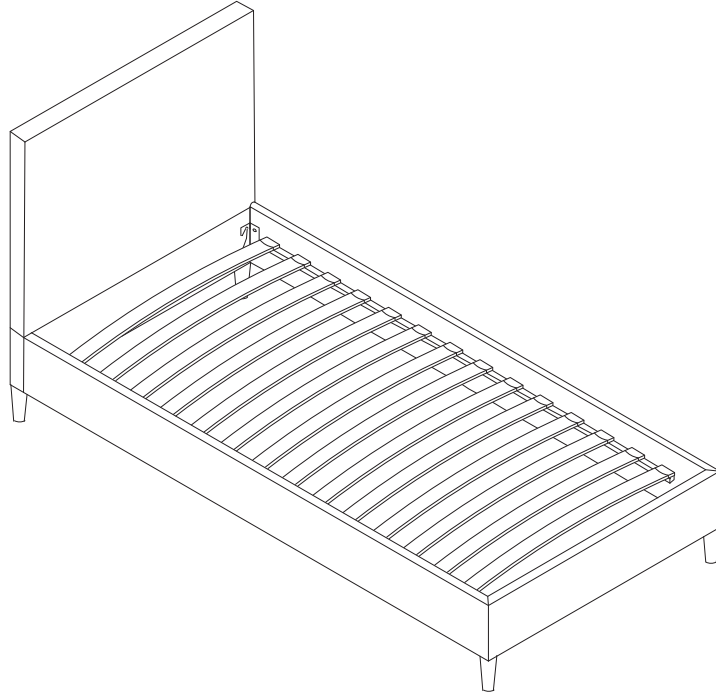


FITOU





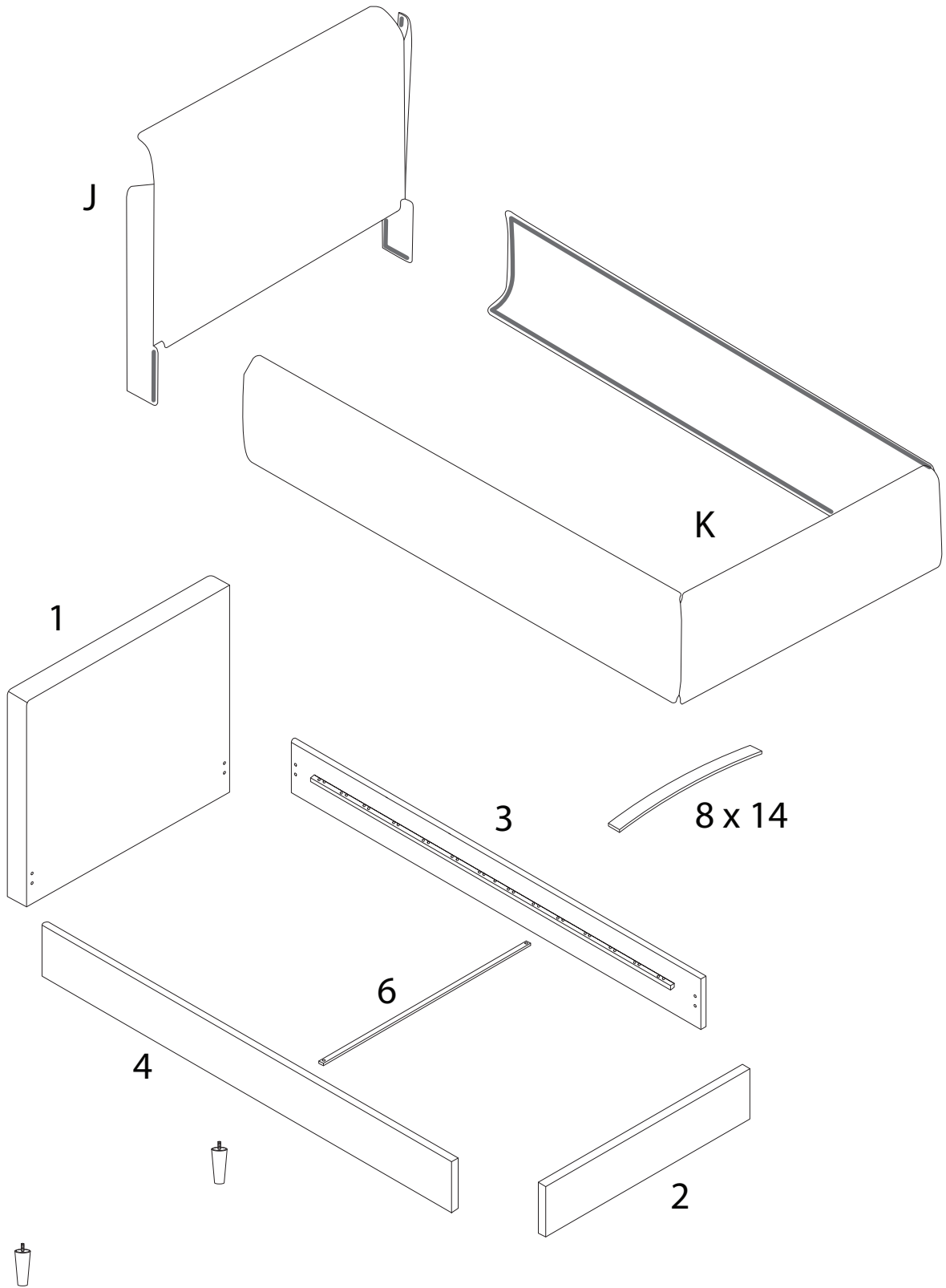
Assembly instructions for the bed frame, including tool requirements, time, and personnel.

Tools: An icon shows an Allen key and a wrench inside a circle, and a power drill with a diagonal line through it, indicating that a power drill is not required.

Warning: A triangle with an exclamation mark indicates a warning.

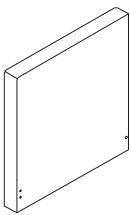
Time: A clock icon with the text "30'" indicates that the assembly takes approximately 30 minutes.

Personnel: An icon of a person with the number "2" below it indicates that two people are required for assembly.



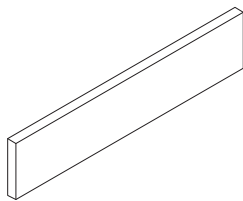
5 x 4

1



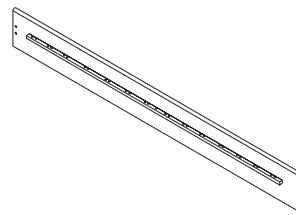
x 1

2



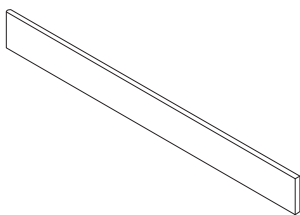
x 1

3



x 1

4



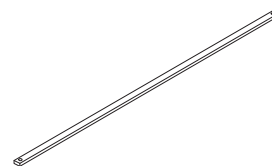
x 1

5



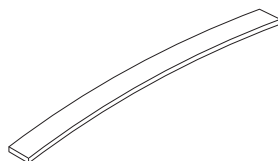
x 4

6



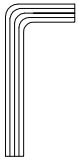
x 1

8



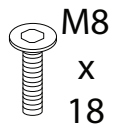
x 14

A



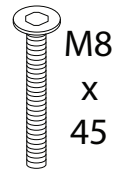
x 1

B



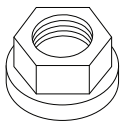
x 16

C



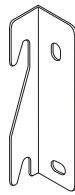
x 2

D



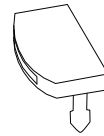
x 2

F



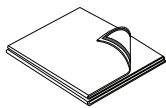
x 4

I



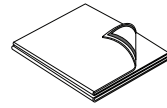
x 28

J



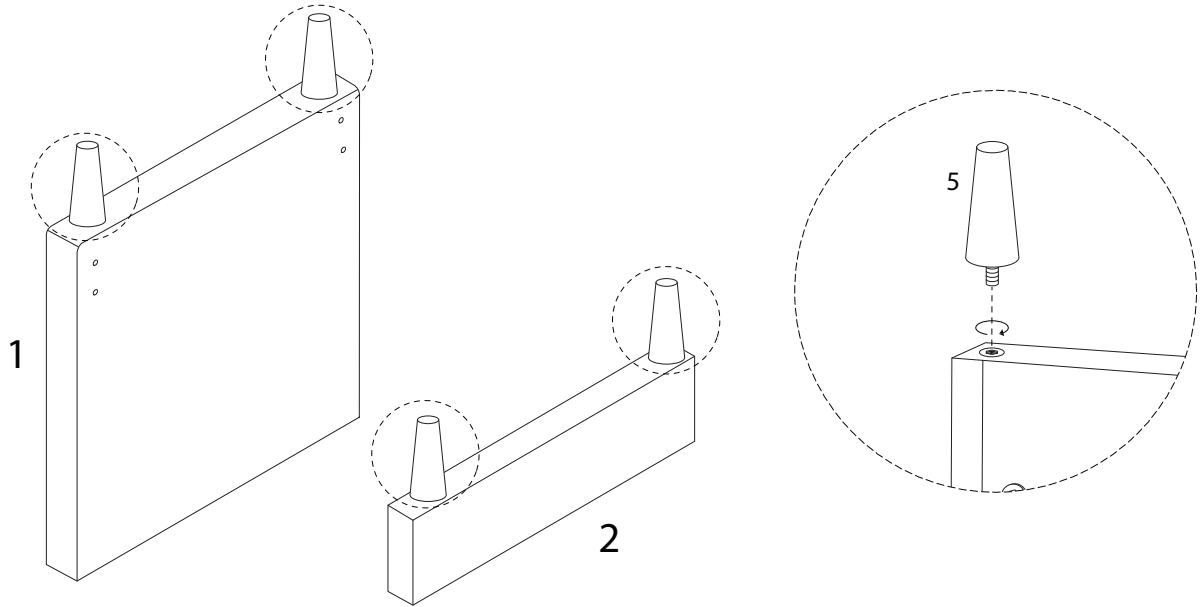
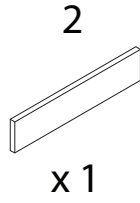
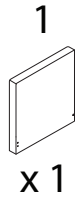
x 1

K

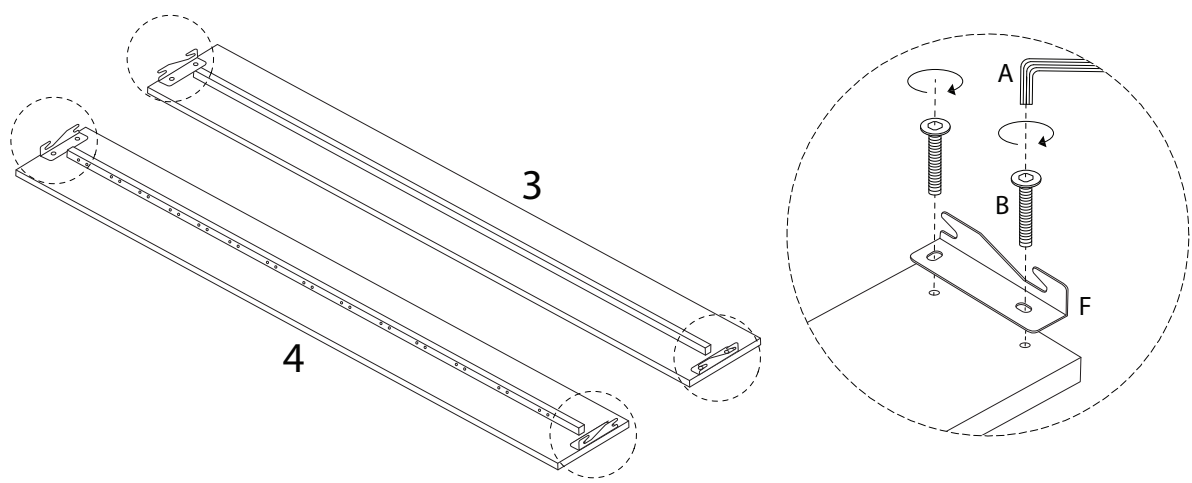
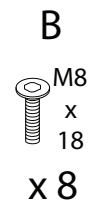
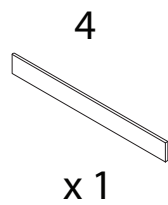
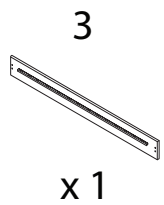


x 1

1

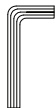


2



3

A

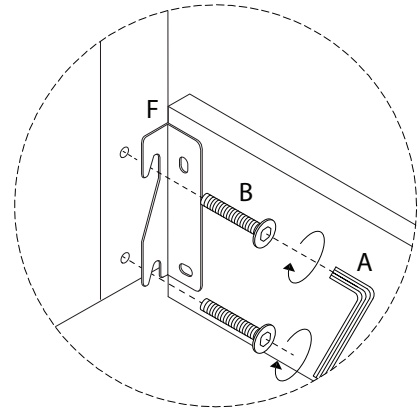
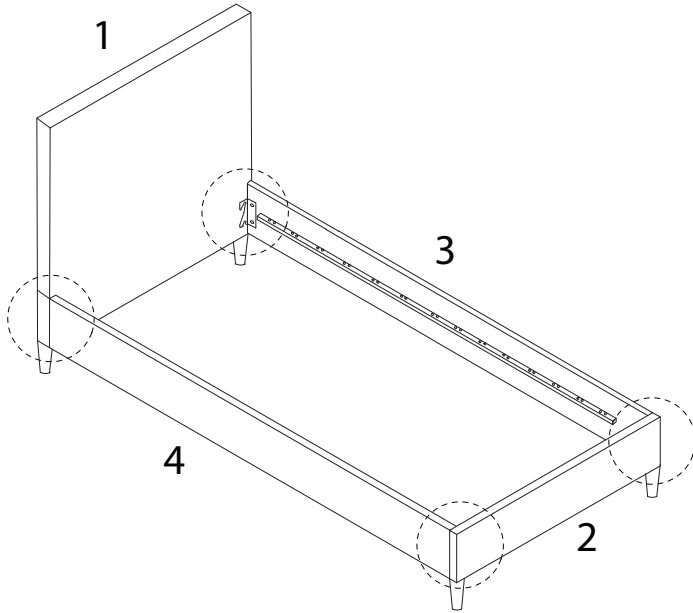


x 1

B



x 8

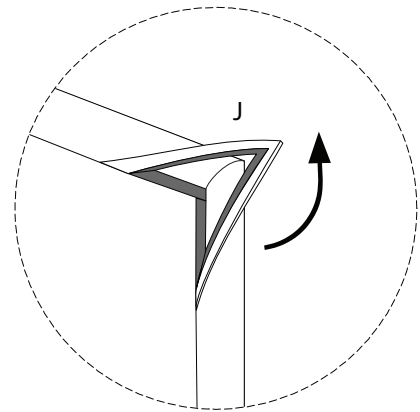
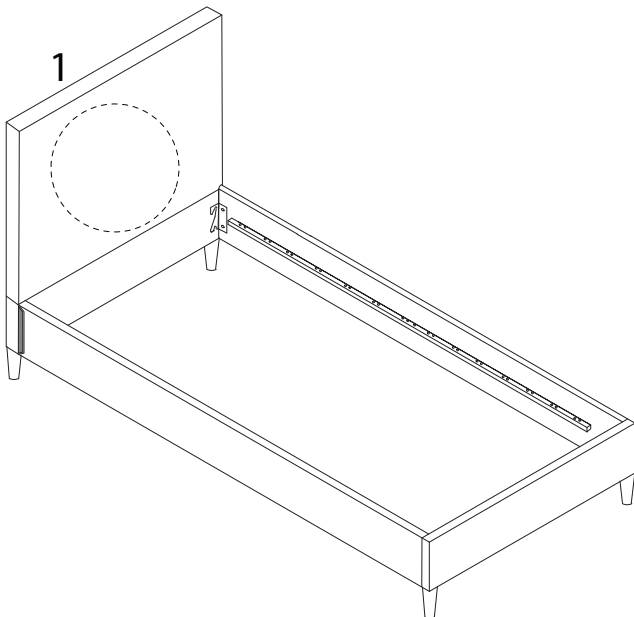


4

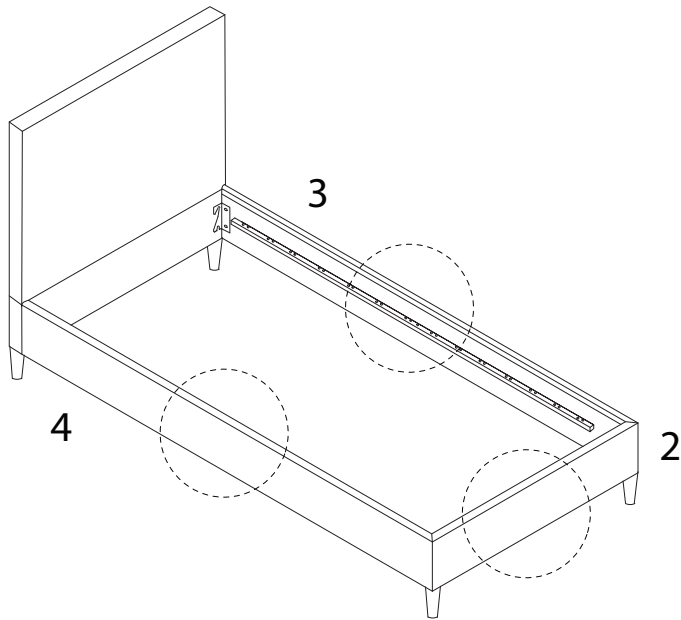
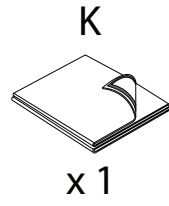
J



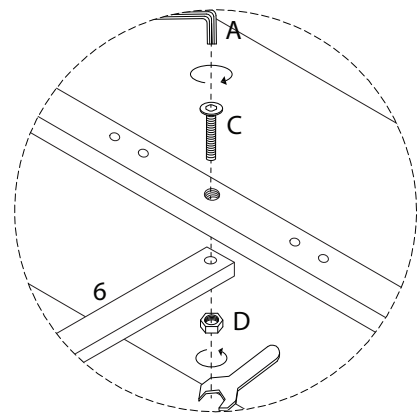
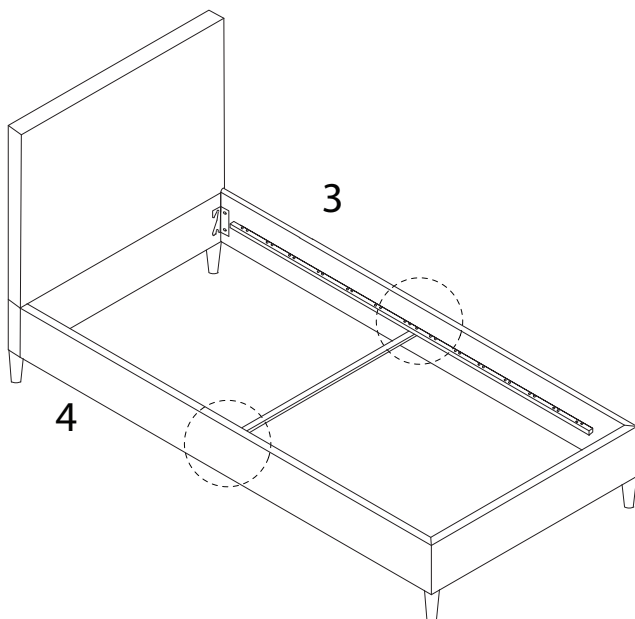
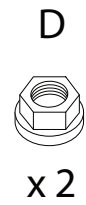
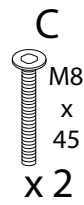
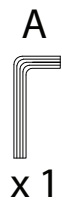
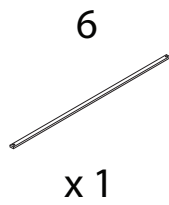
x 1



5

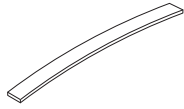


6



7

8

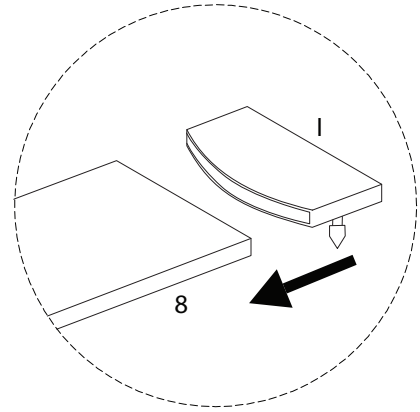
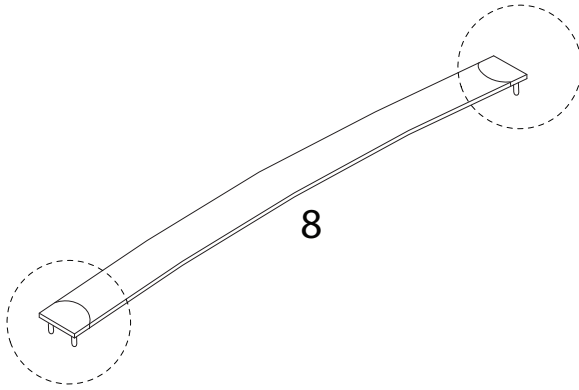


x 14

I



x 28



8

