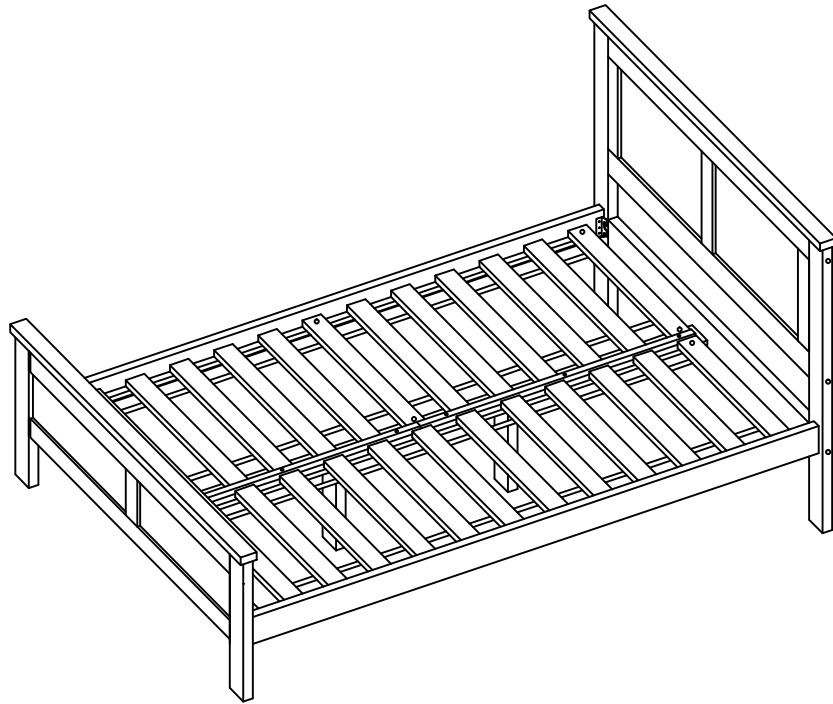
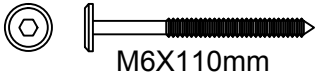


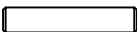
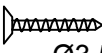


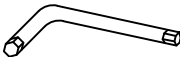
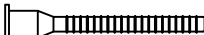

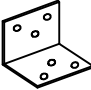
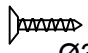
Assembly instruction

BZ-140/160/180-BED

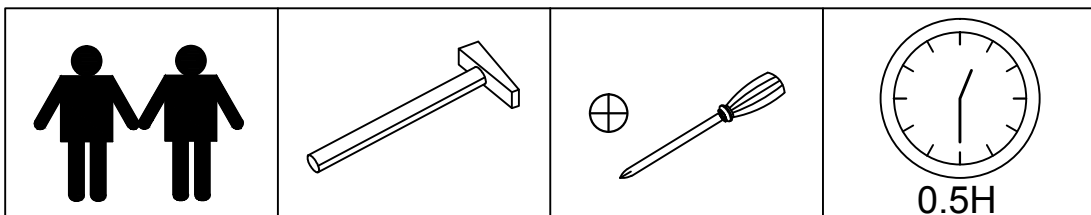


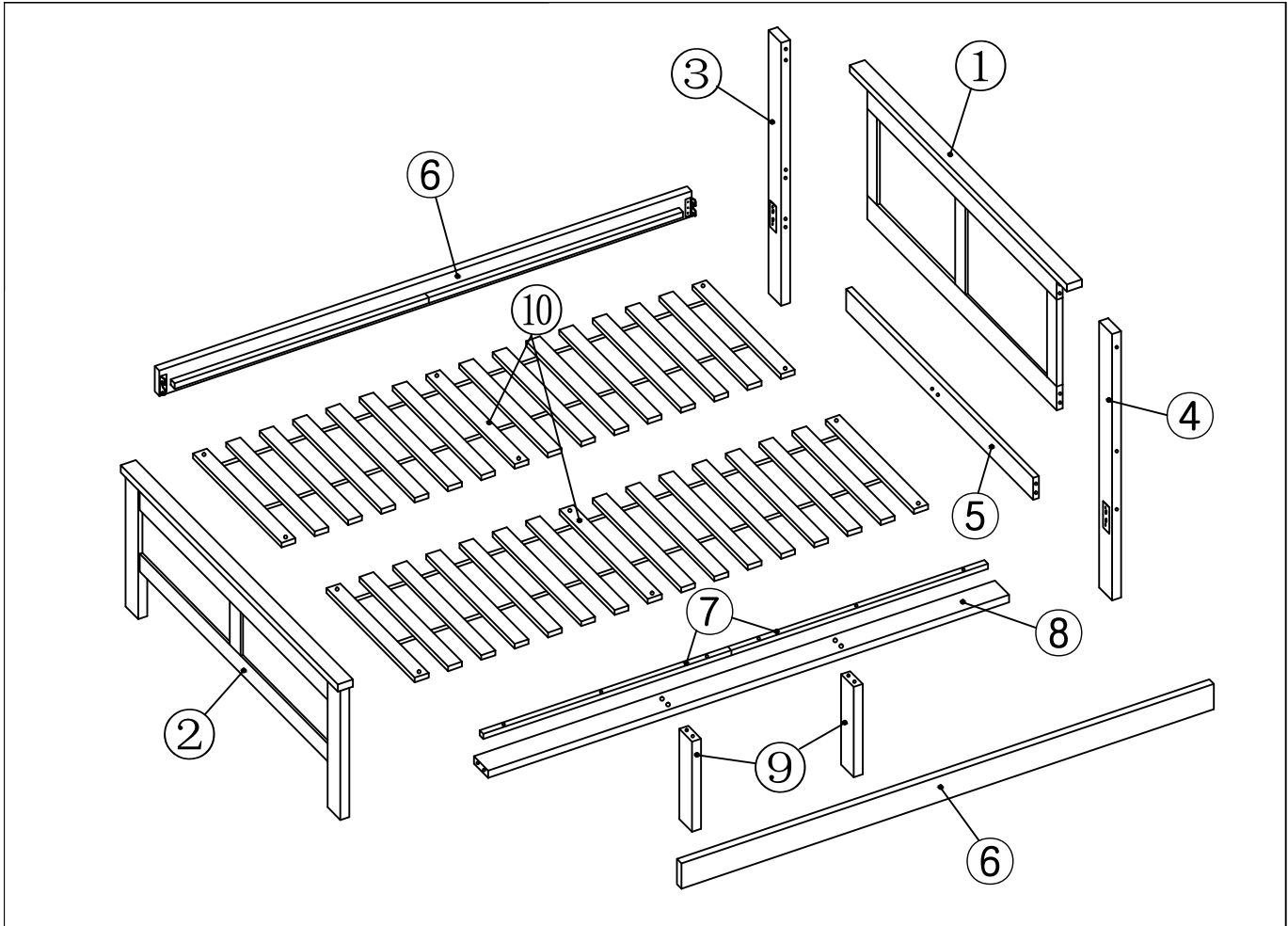
HARDWARE

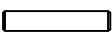
A	 M6X110mm	06
B		08
C		06
D	 Ø8X30mm	06
E	 Ø3.5X30mm	18

F		01
G	 Ø7x50mm	06
H		06
I		01
J	 Ø3.5X16mm	06

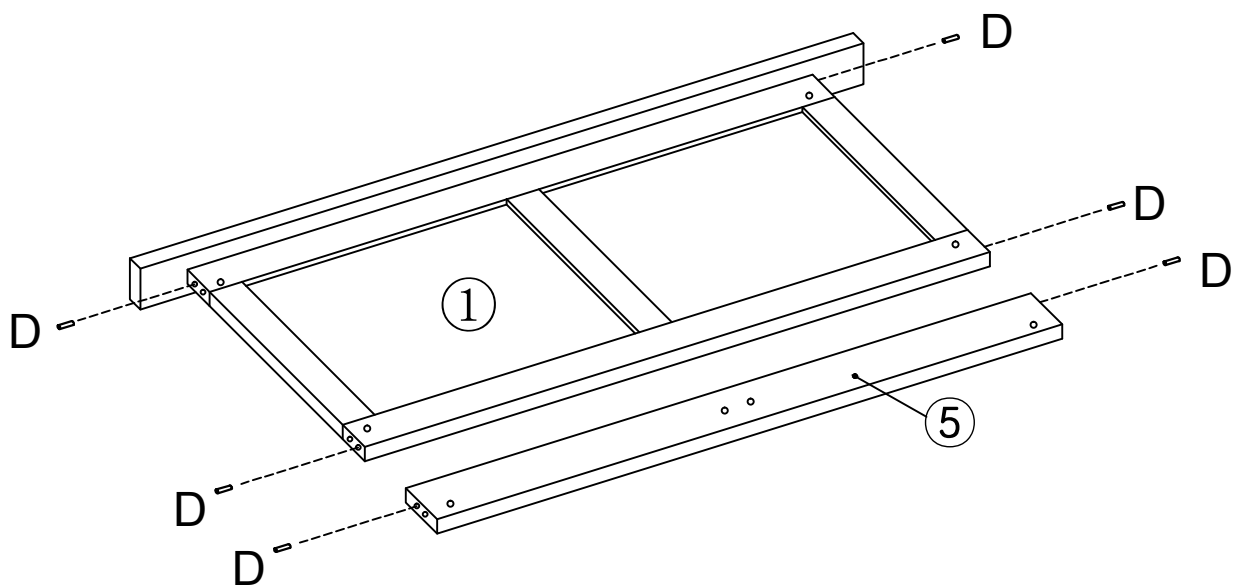
Assembly instructions and directions for use



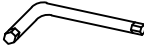




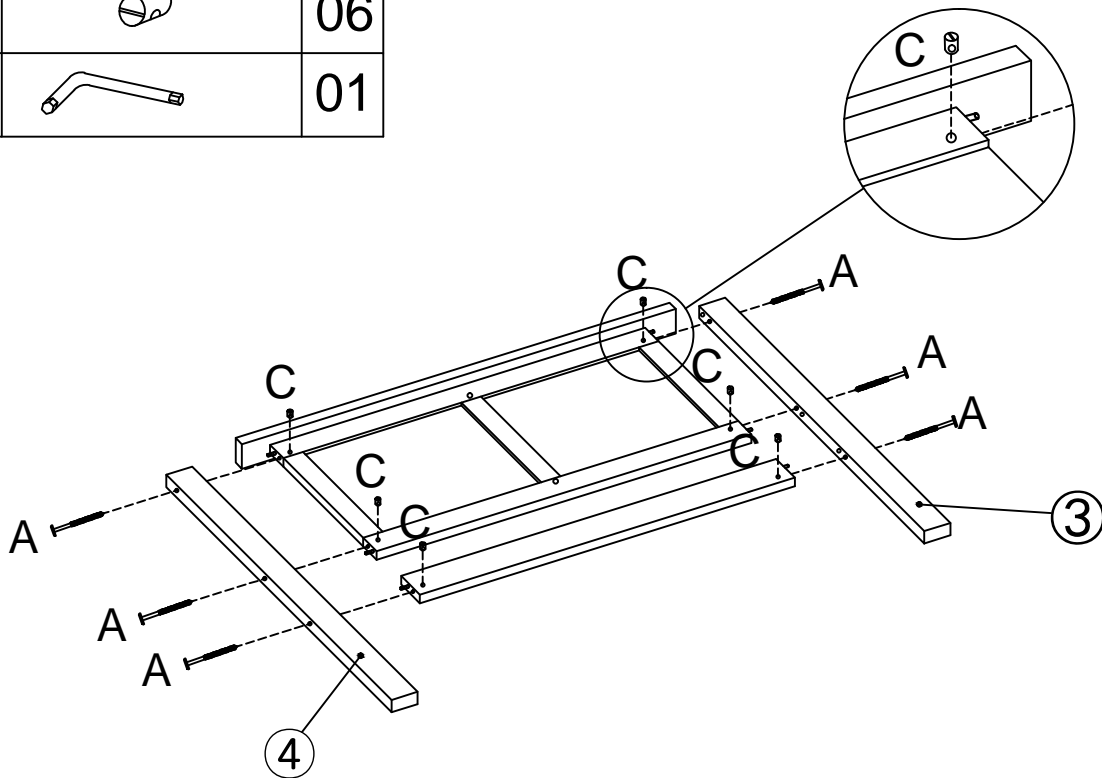
D	 Ø8X30mm	06
---	--	----


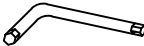
01



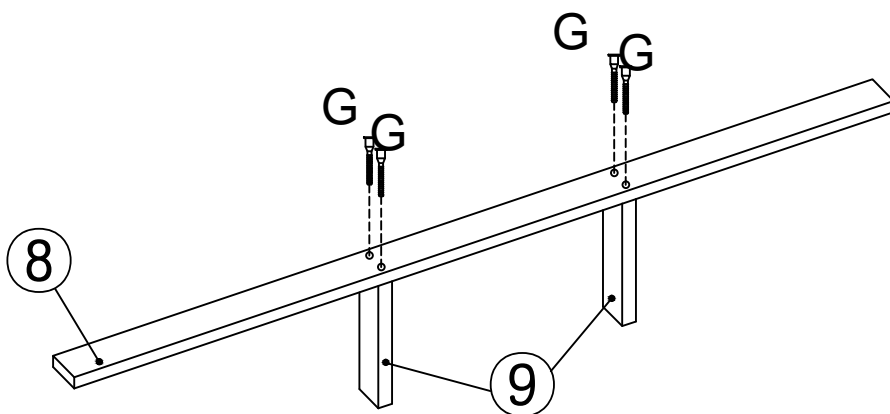
A	 M6X110mm	06
C		06
F		01

02



G	 Ø70x50mm	04
F		01

03



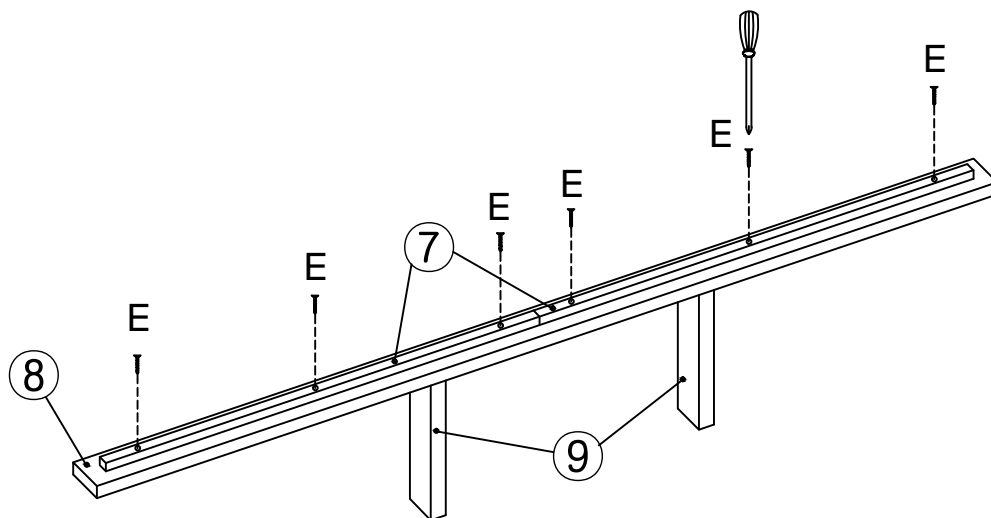
E



Ø3.5x30mm

06

04



B



08

J



Ø3.5X16mm

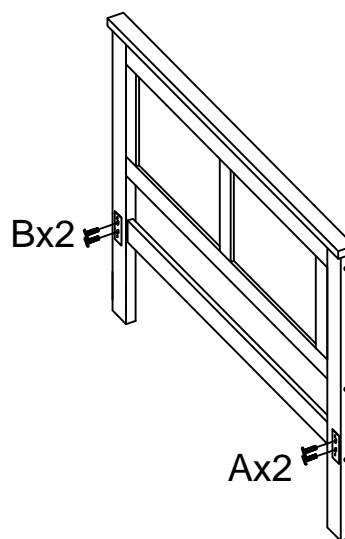
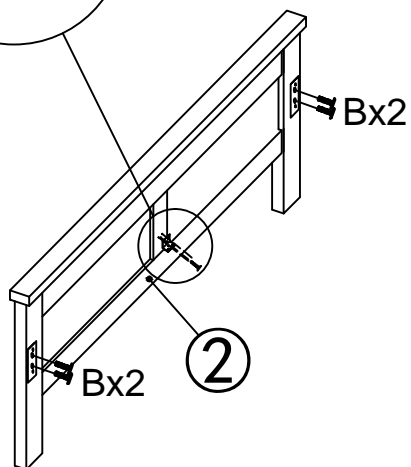
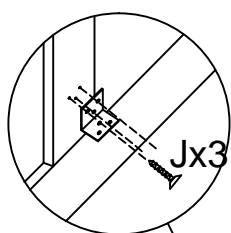
03

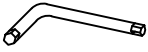
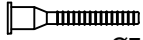
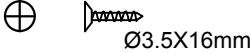
05

I

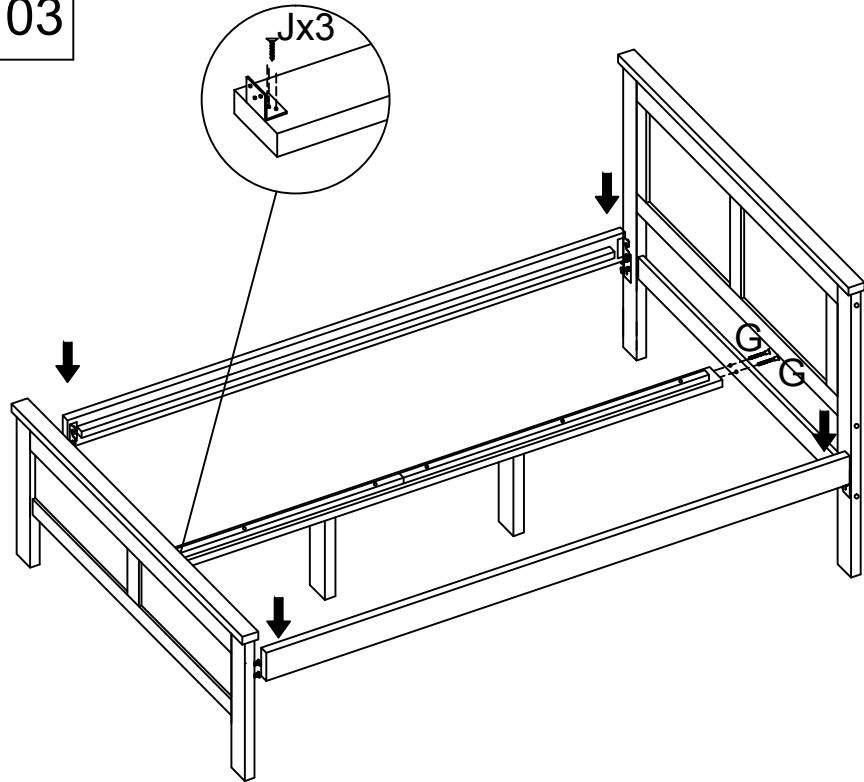


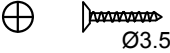

01



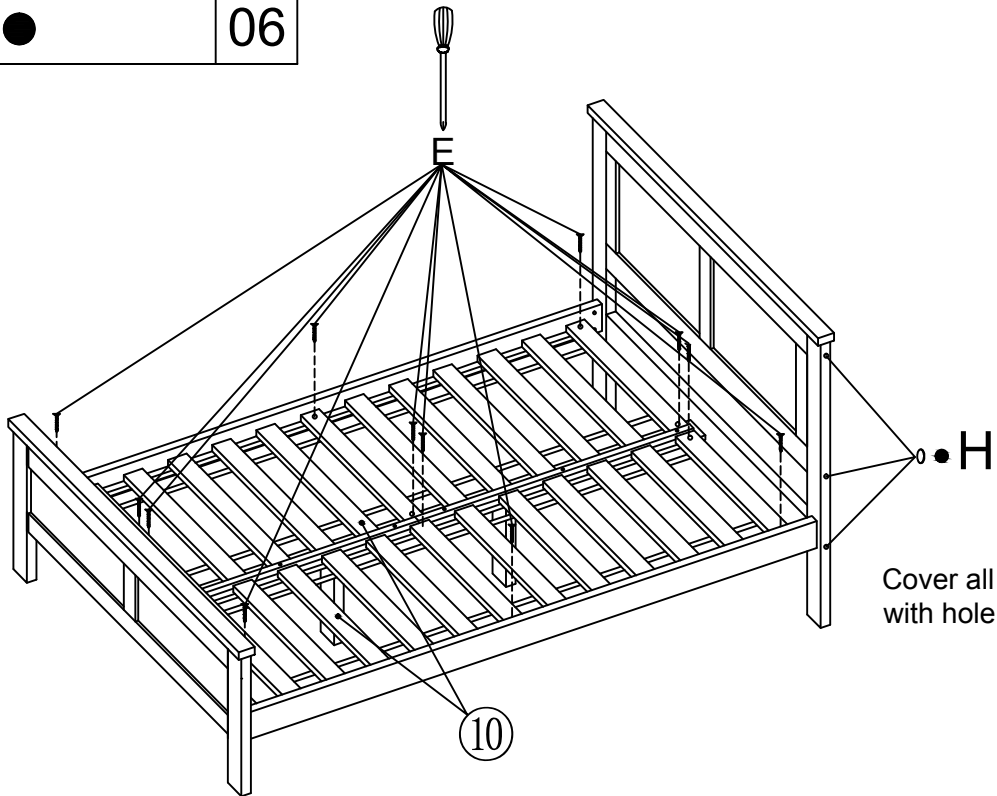
F		01
G	 Ø70x50mm	02
J	 Ø3.5X16mm	03

06



E	 Ø3.5X30mm	12
H		06

07



Cover all the holes with hole sticks.