



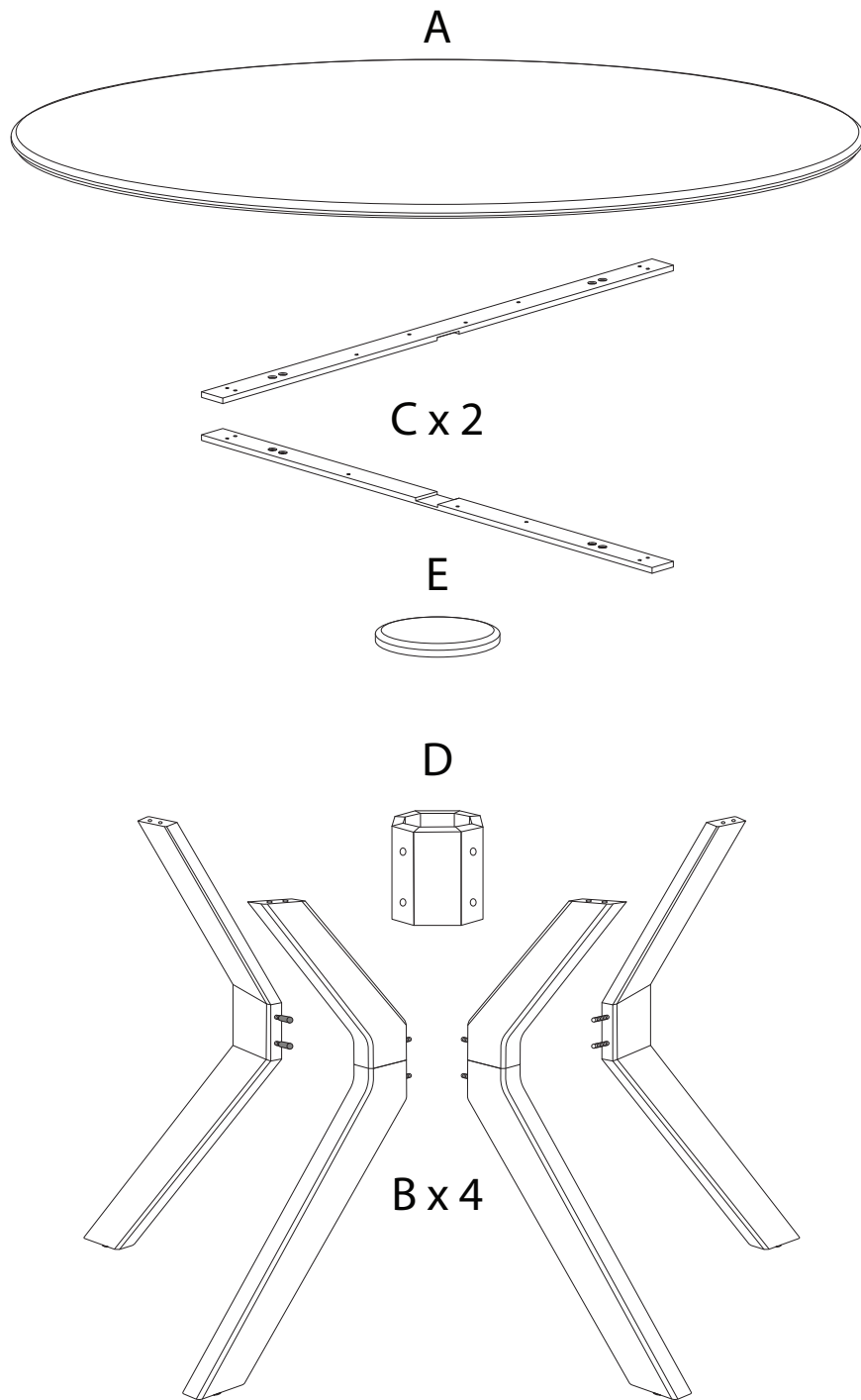
Assembly instructions for the table, including tool requirements, time, and personnel.


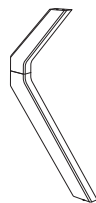

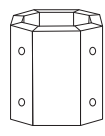

**Tools:** A circle containing a screwdriver, a wrench, and an Allen key. A power drill is shown with a diagonal line through it, indicating it is not required.

**Time:** A clock icon with the text "30'" below it, indicating the estimated assembly time.

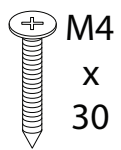
**Personnel:** A stick figure icon with the number "2" below it, indicating the number of people required for assembly.

**Warnings:** Two warning triangles (exclamation marks) are present. The first is connected to the tools section, and the second is connected to the personnel section.



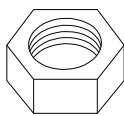
A	B	C	D	E
				
x 1	x 4	x 2	x 1	x 1

1



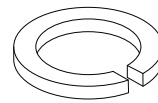
x 16

2



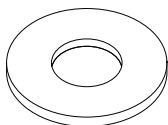
x 8

3



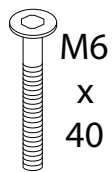
x 8

4



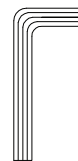
x 8

5



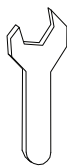
x 8

6



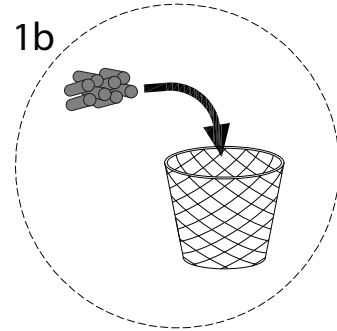
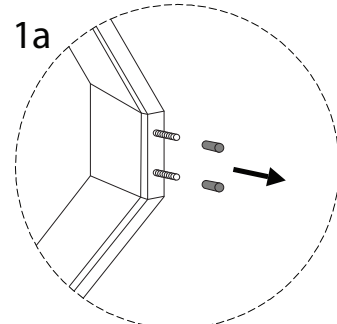
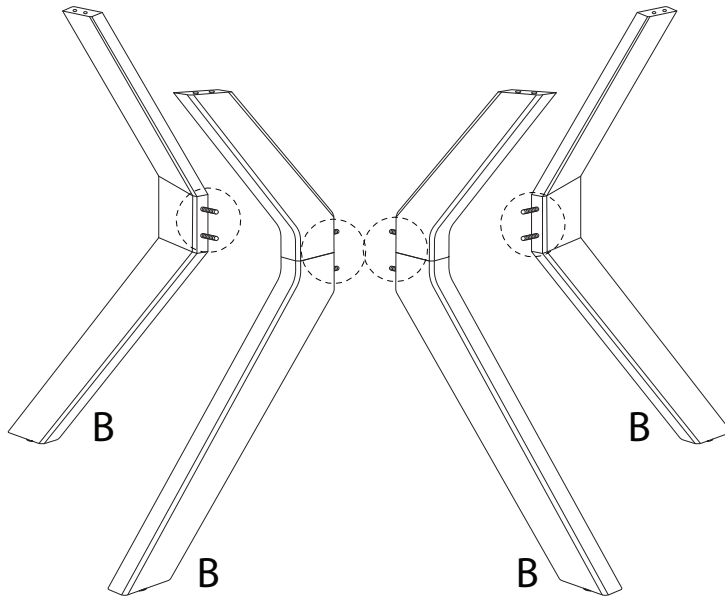
x 1

7



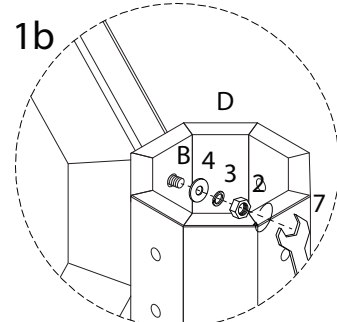
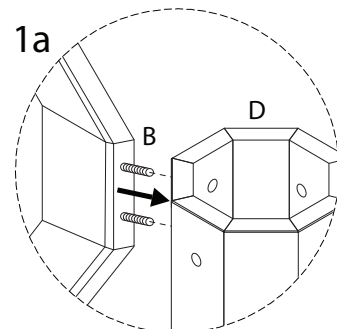
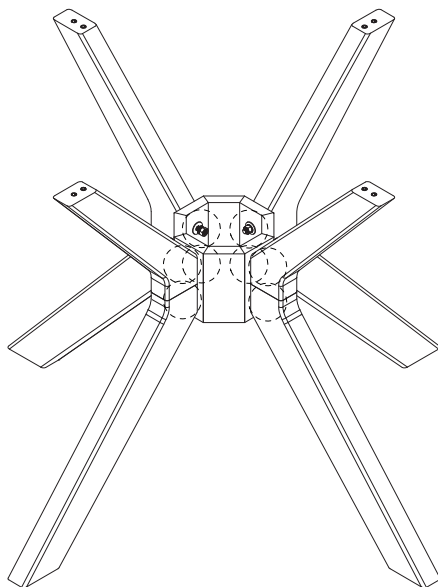
x 1

!

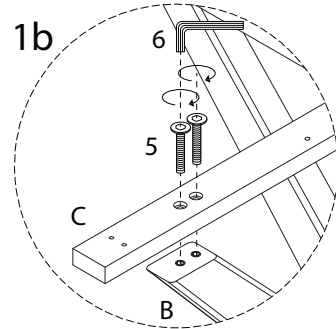
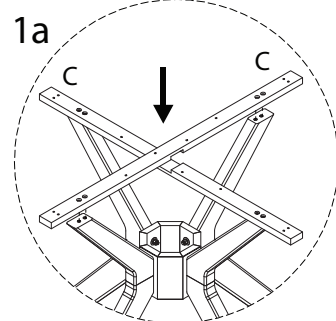
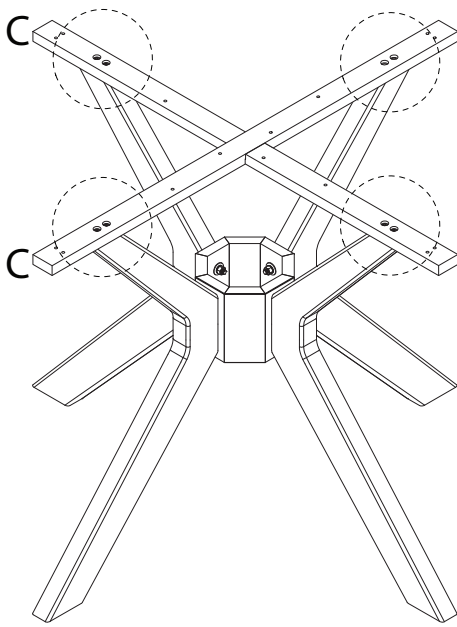
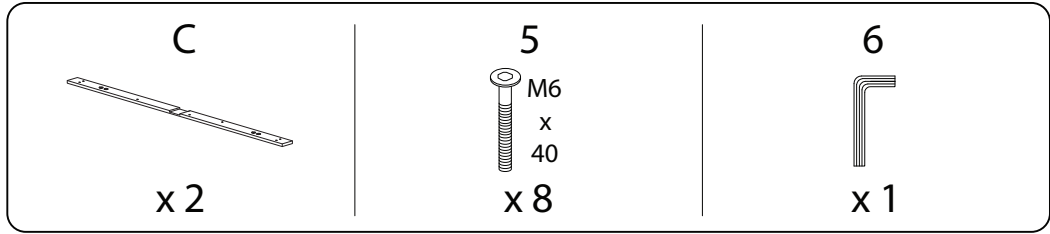


1

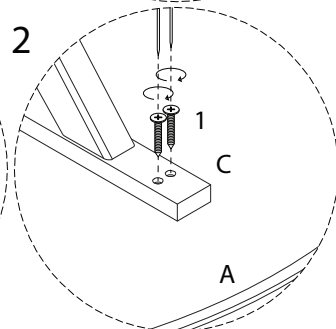
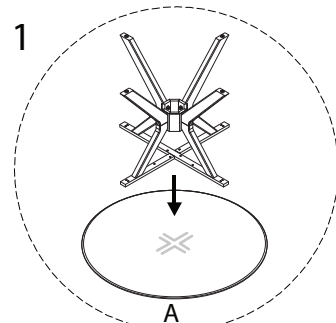
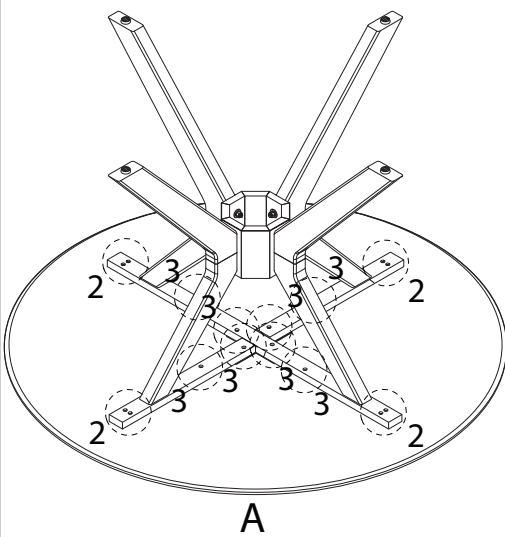
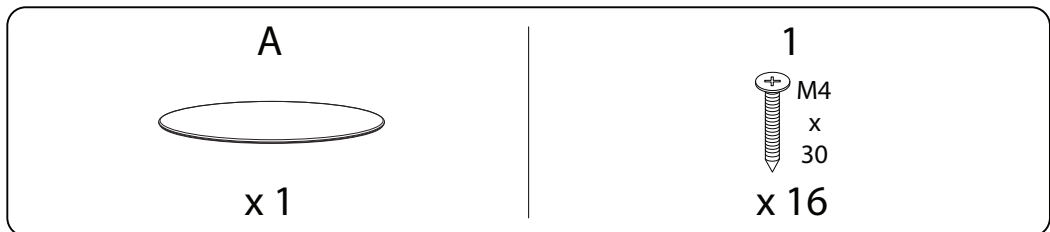
<b>B</b>  x 4	<b>D</b>  x 1	<b>2</b>  x 8	<b>3</b>  x 8	<b>4</b>  x 8	<b>7</b>  x 1
---------------------	---------------------	---------------------	---------------------	---------------------	---------------------



2



3



4

E



x 1

