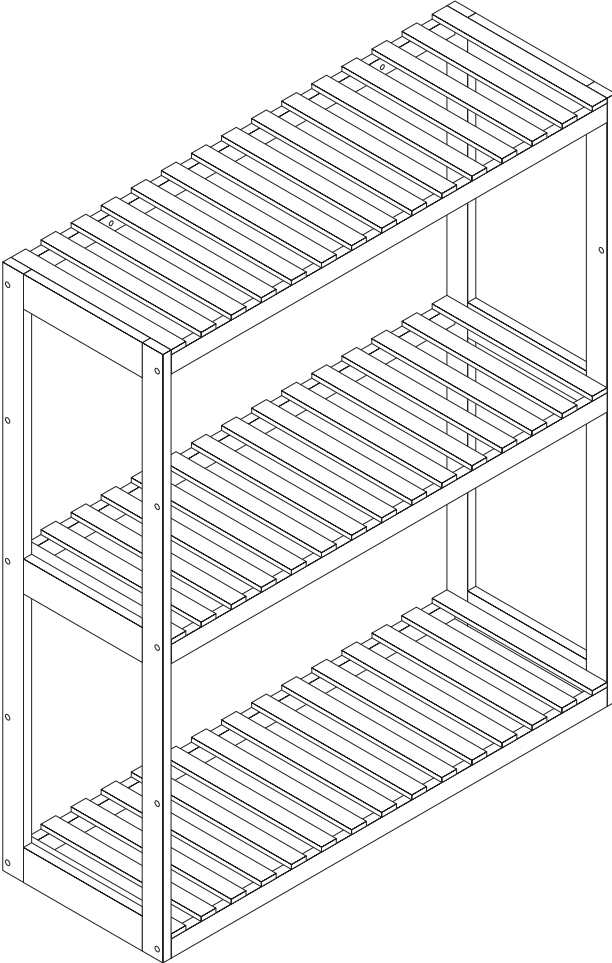
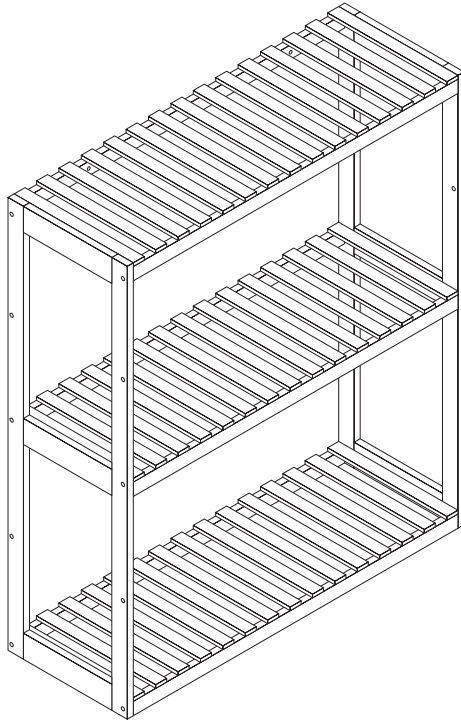


PADUCAH

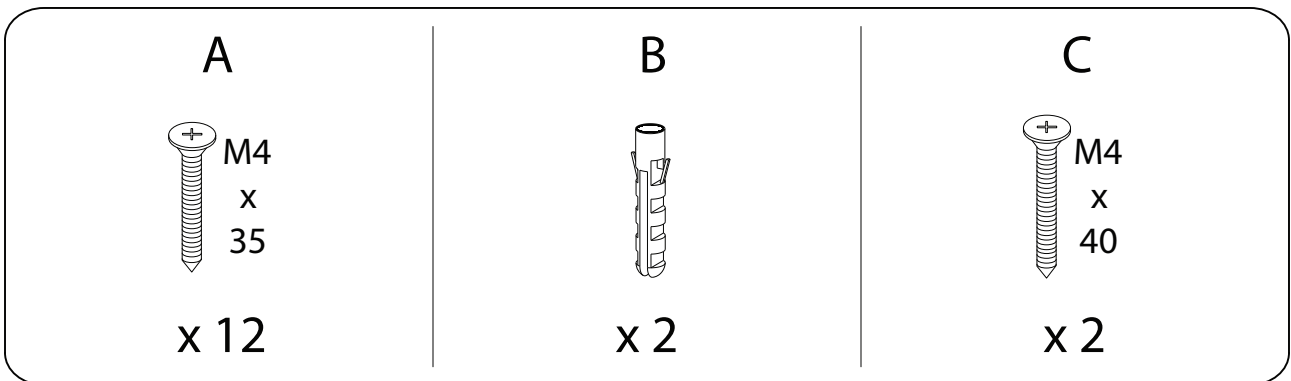
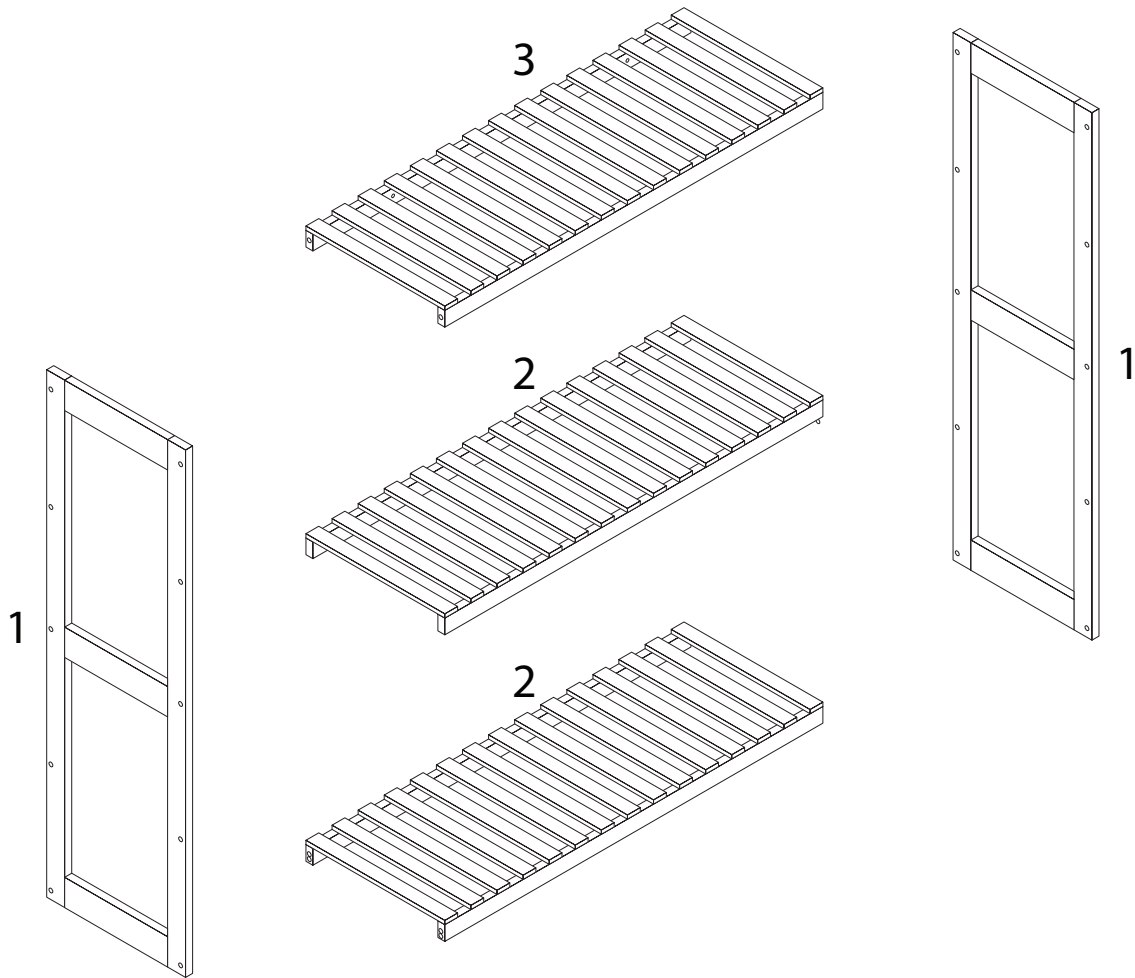
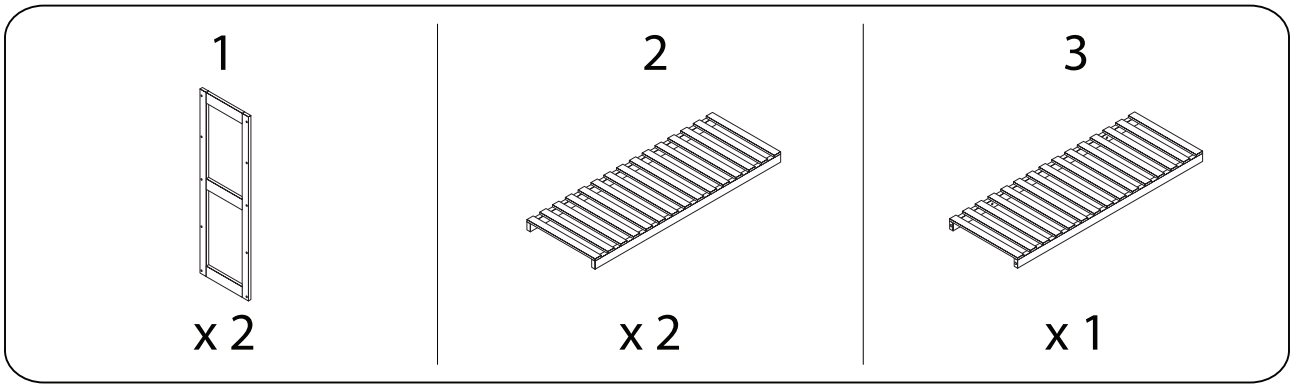




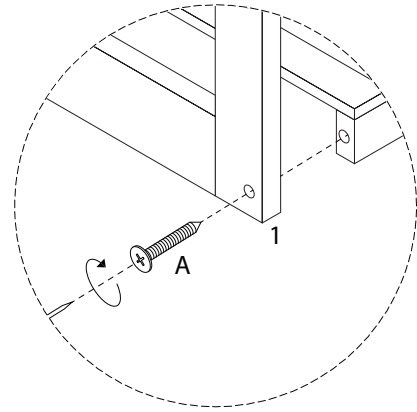
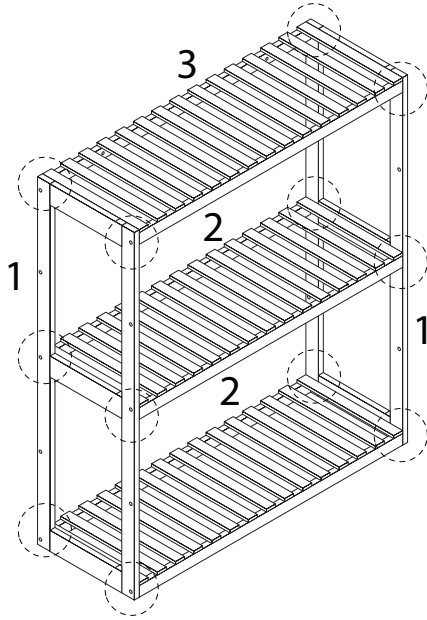
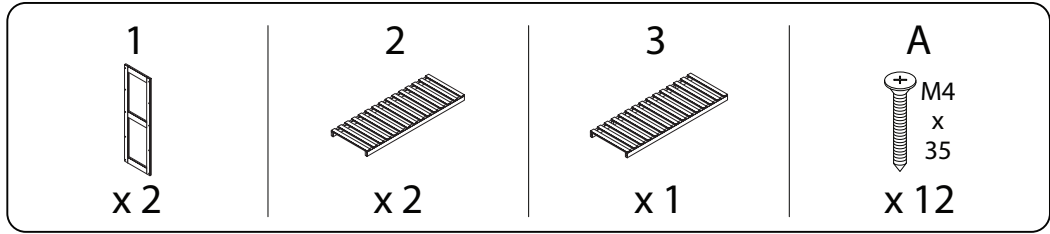
Assembly instructions for step 1/4:

- Tools:** A circular icon contains a screwdriver and a power drill, indicating the required tools.
- Warning:** A triangular warning icon with an exclamation mark is positioned to the right of the tools.
- Time:** A clock icon is shown to the right, with the text "15'" below it, indicating a 15-minute assembly time.
- Personnel:** A stick figure icon is shown to the right, with the number "1" below it, indicating that one person is required for assembly.
- Diagram:** A circular icon shows a rectangular block being placed on a surface with a textured pattern. To the right, a 3D perspective drawing shows the block with a diagonal line and arrows indicating a specific orientation or placement.

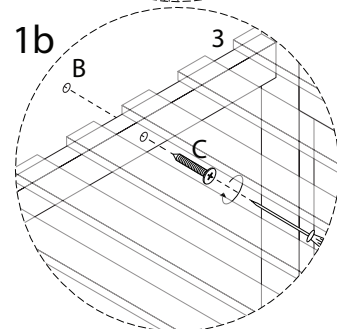
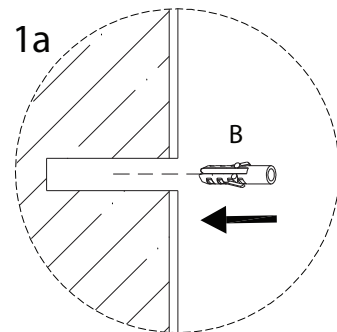
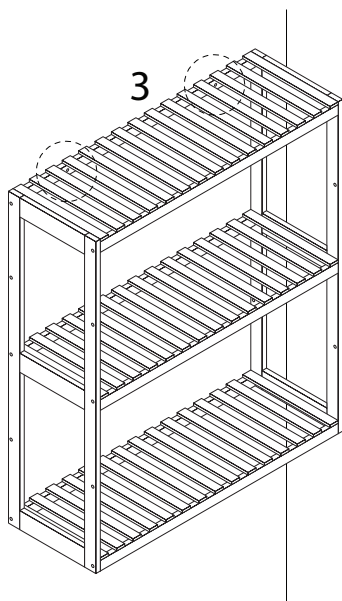
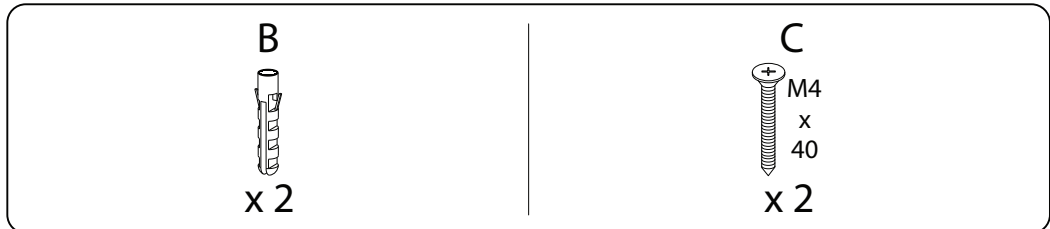
1/4



1



2



!

