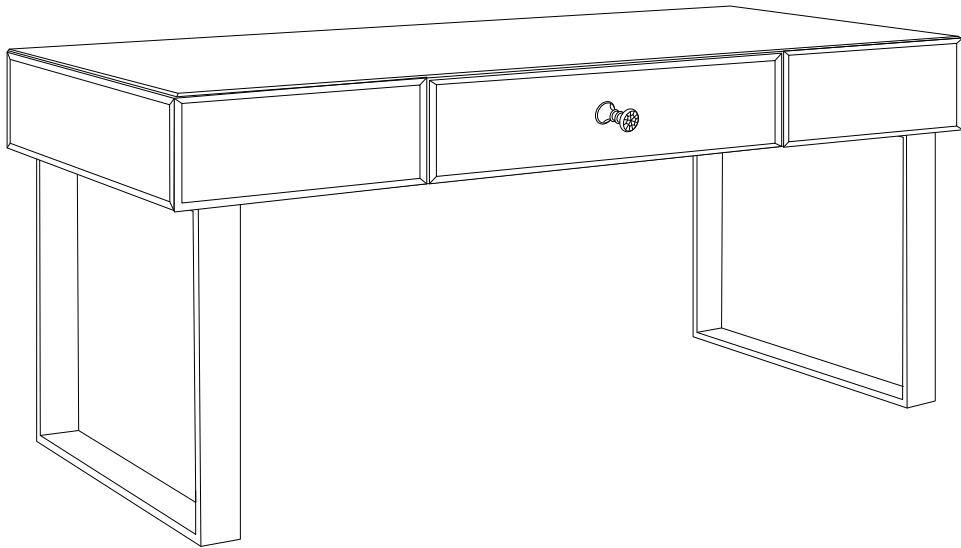
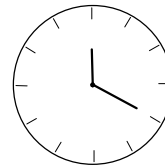
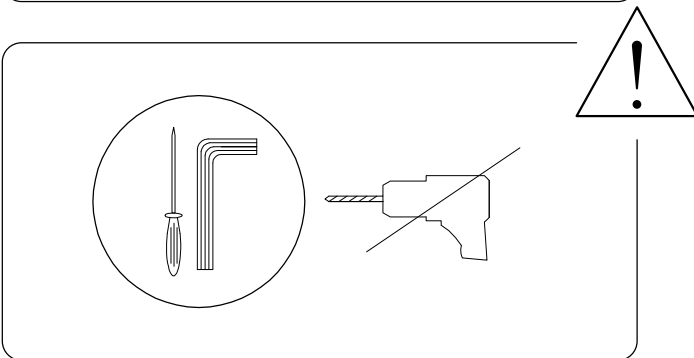
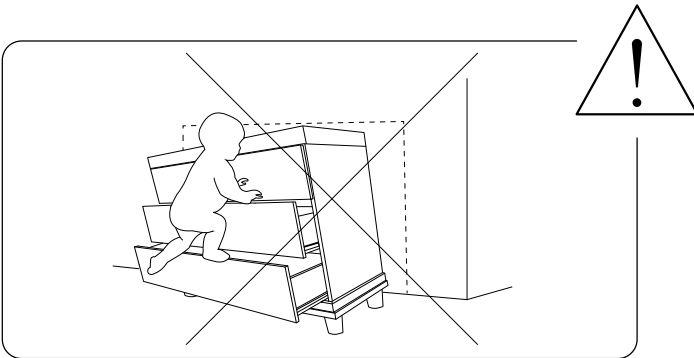
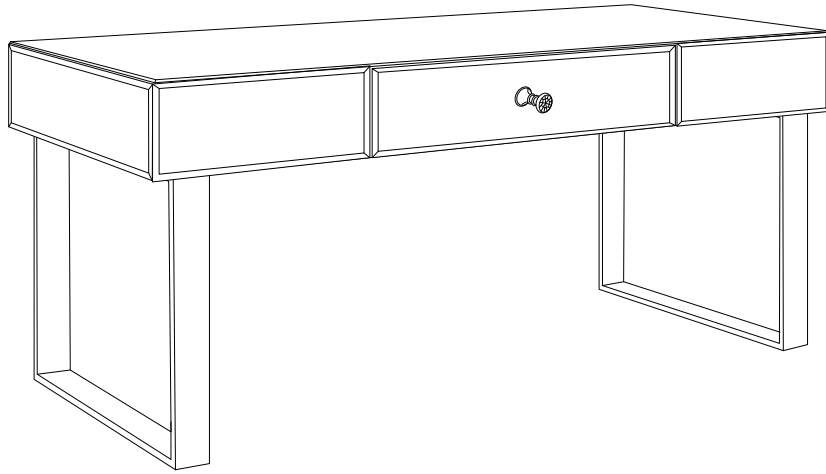
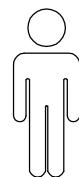
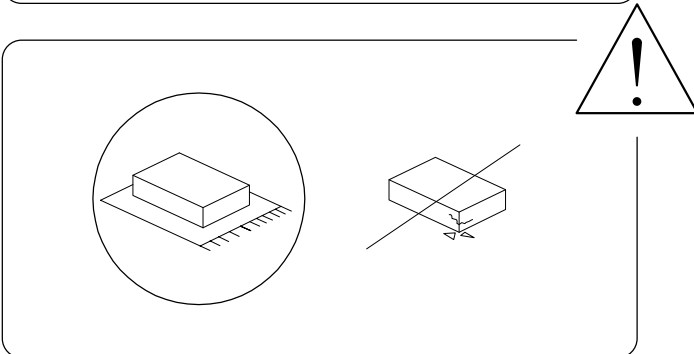


# NESLE

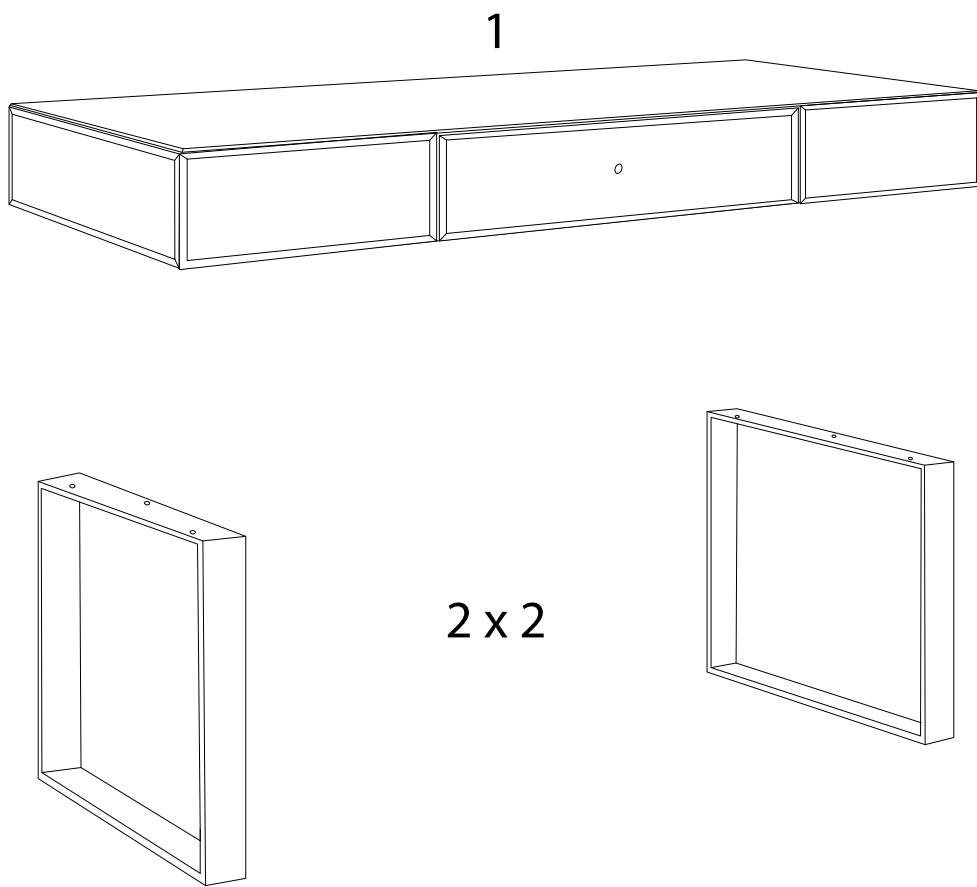
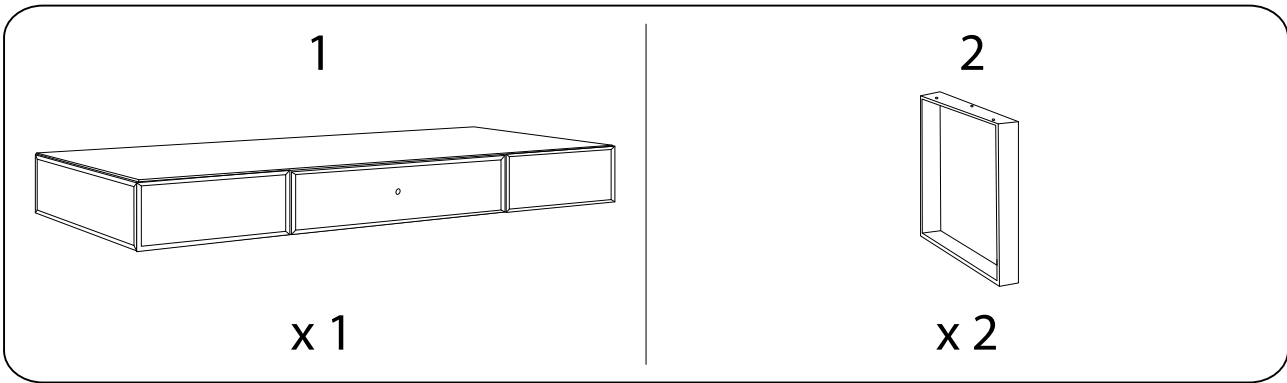


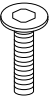
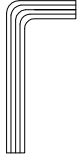
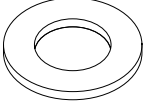
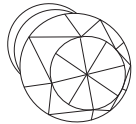
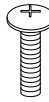
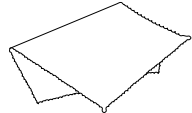


20'

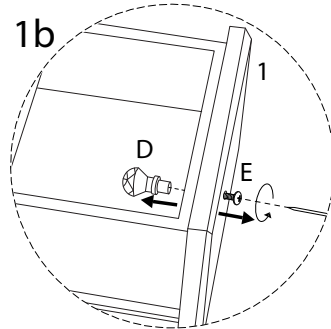
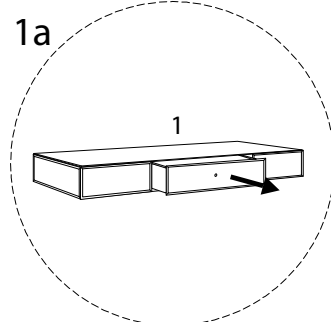
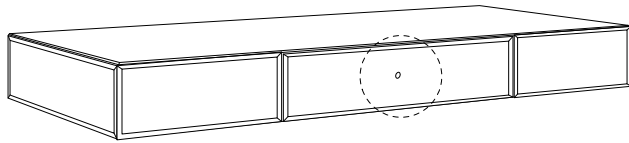


2



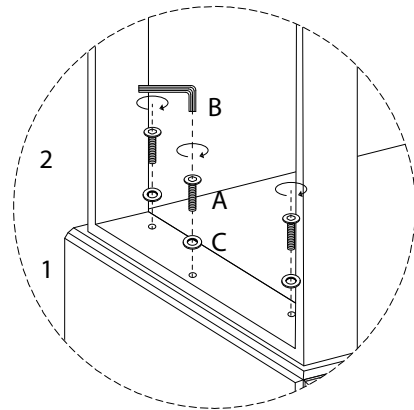
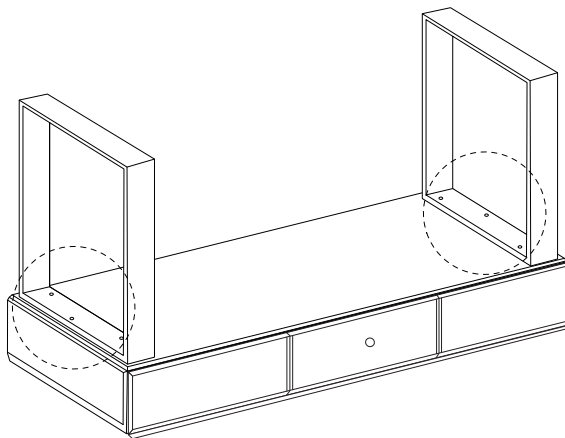
A	B	C	D	E	F
 <p>M8 x 30</p>				 <p>M4 x 20</p>	
x 6	x 1	x 6	x 1	x 1	x 1

!



1

<p>1</p> <p>x 1</p>	<p>2</p> <p>x 2</p>	<p>A</p> <p>M8 x 30</p> <p>x 6</p>	<p>B</p> <p>x 1</p>	<p>C</p> <p>x 6</p>
---------------------	---------------------	--	---------------------	---------------------



2

D

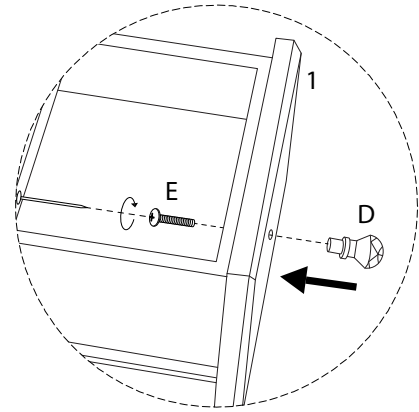
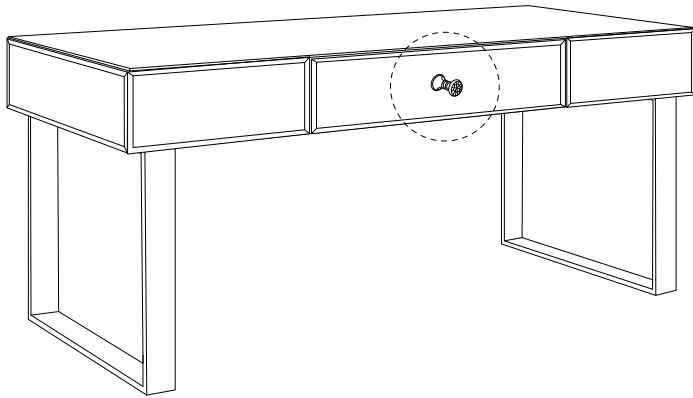


x 1

E

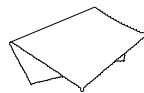


x 1



3

F



x 1

