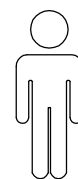
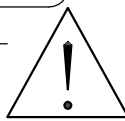
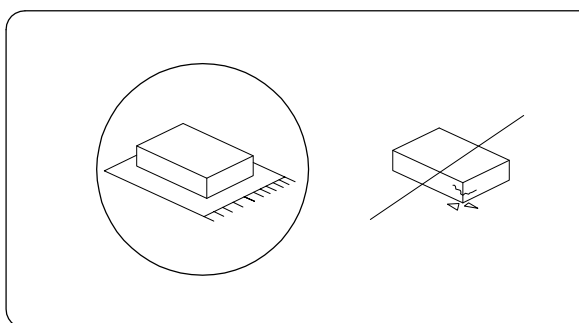
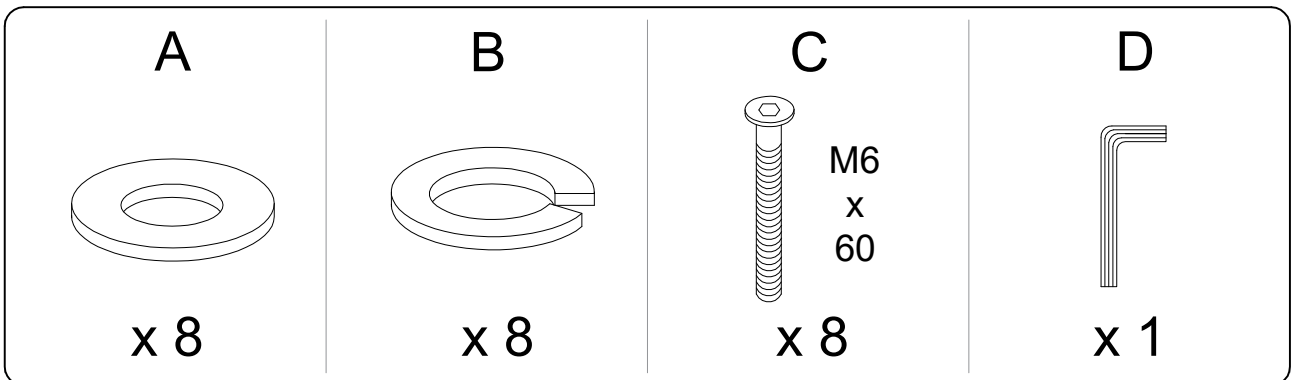
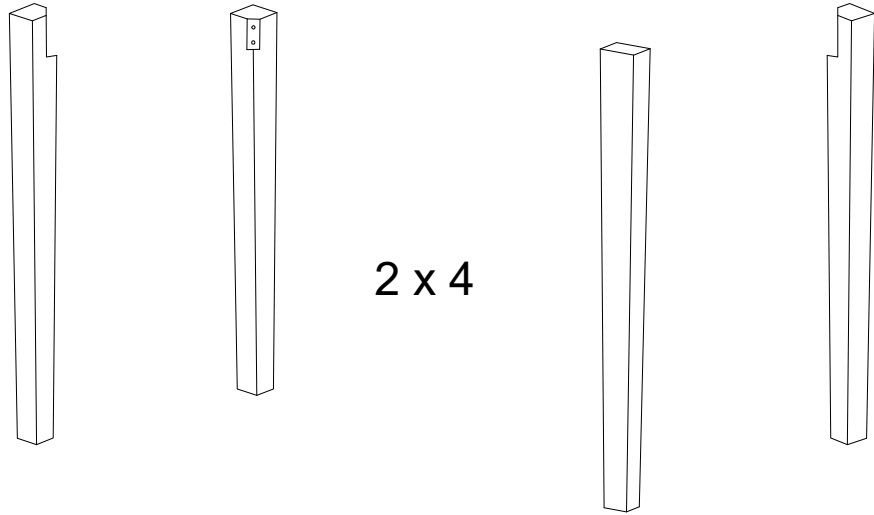
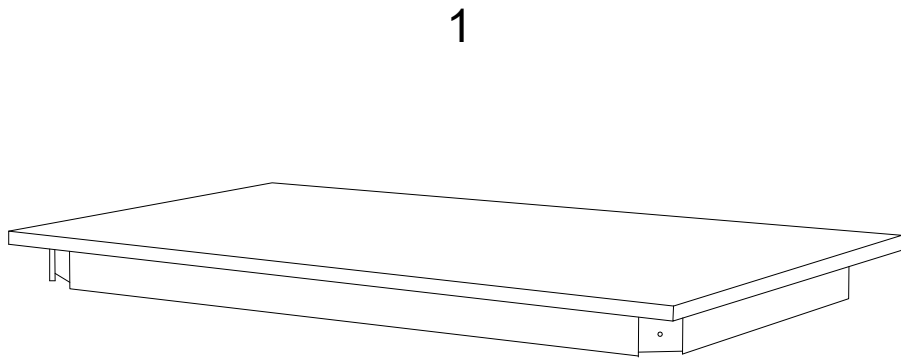
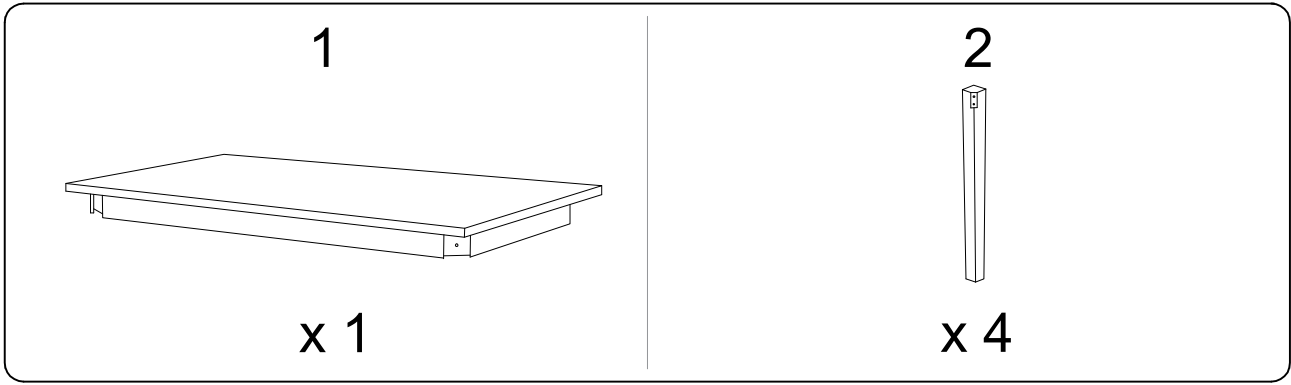


30'





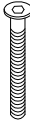
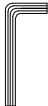


1

1/3



1

| | | | | | |
|---|---|---|--|---|---|
| 1 | 2 | A | B | C | D |
|  |  |  |  |  M6 x 60 |  |
| x 1 | x 4 | x 8 | x 8 | x 8 | x 1 |

