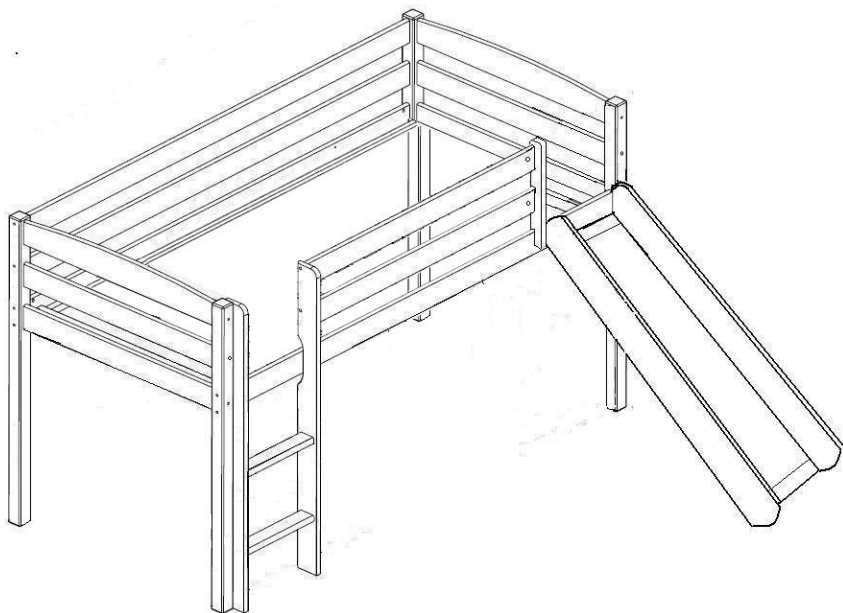
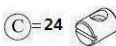
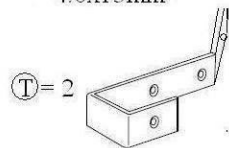
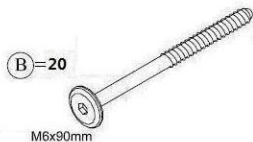
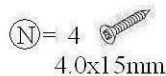
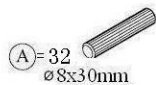
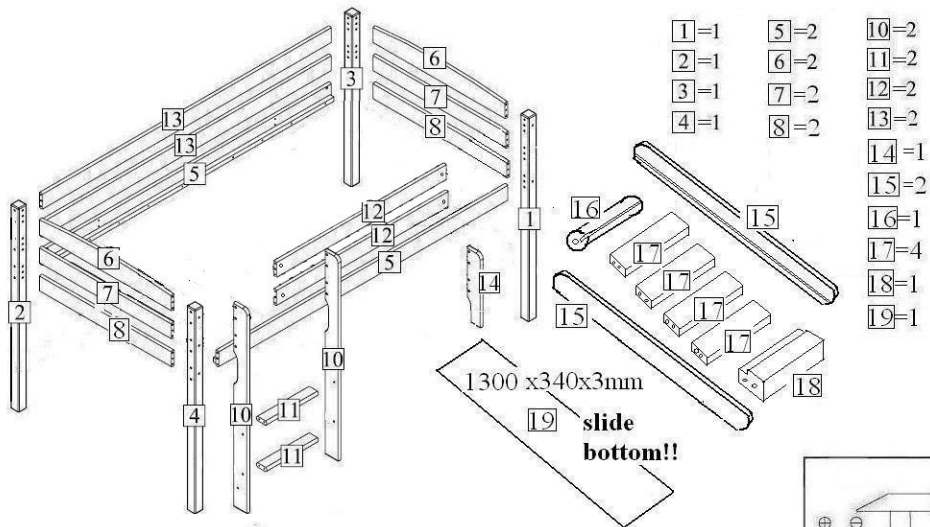
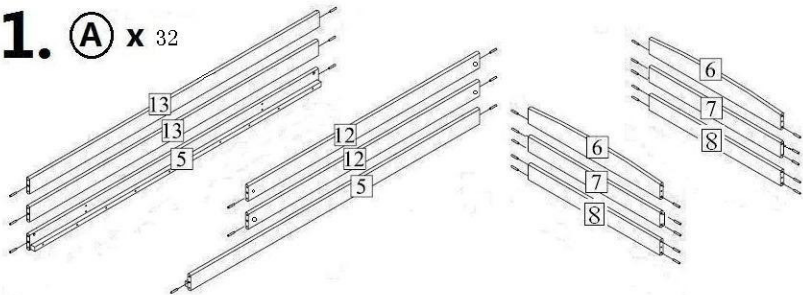


200\*90cm

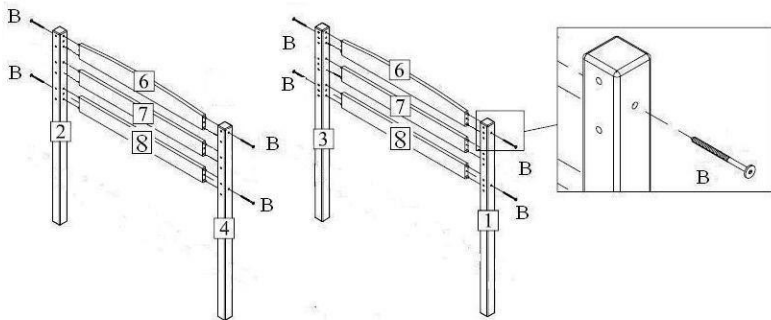




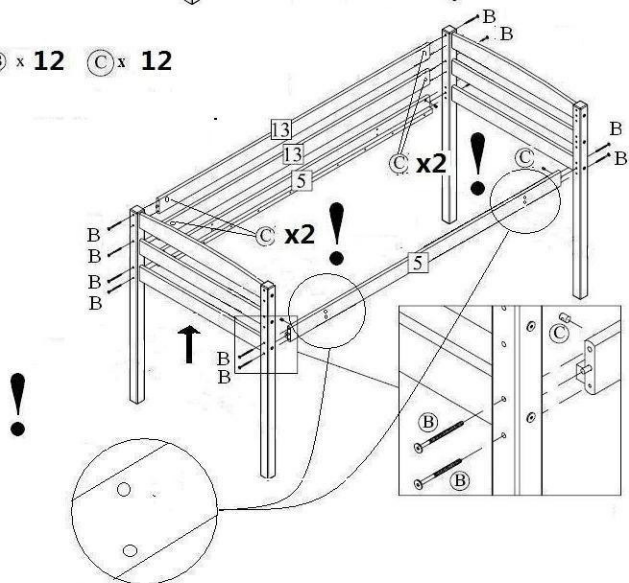
1. **A** x 32



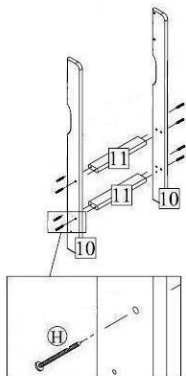
2. **B** x 8    **C** x 8



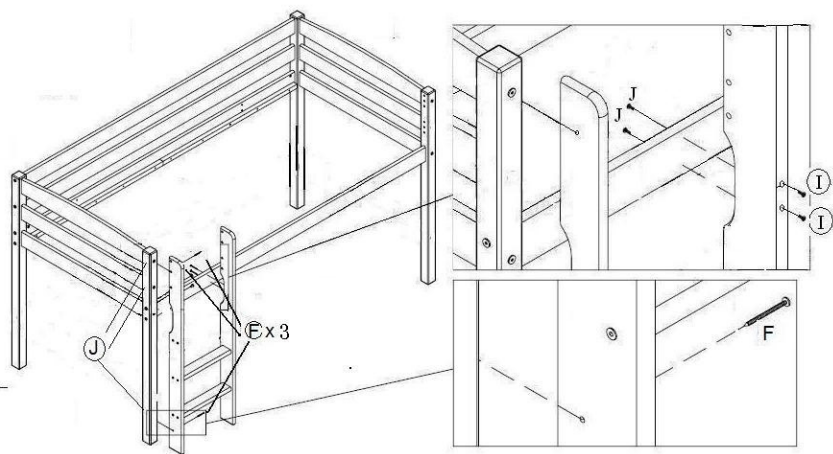
3. **B** x 12    **C** x 12



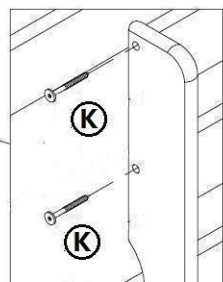
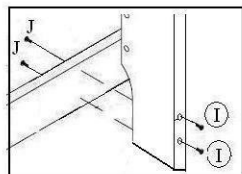
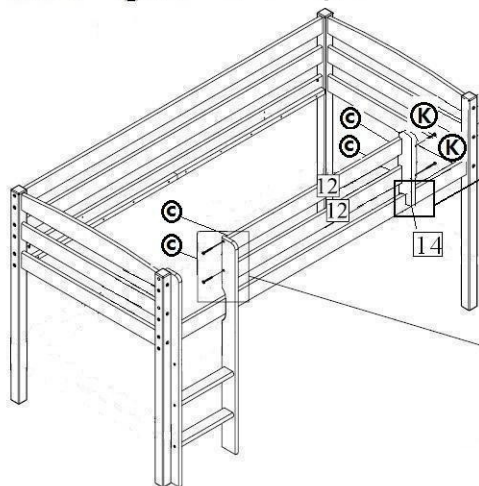
4.  $\textcircled{\text{H}}$  x 8



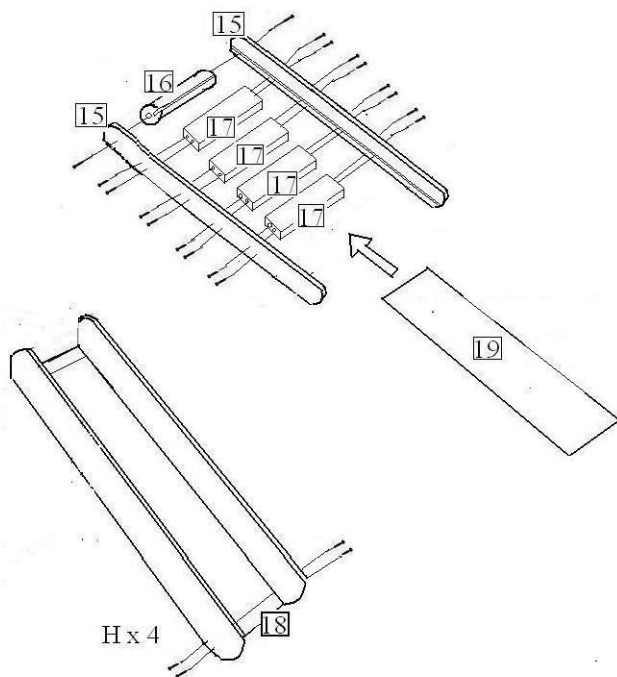
5.  $\textcircled{\text{J}}$  x 5  $\textcircled{\text{F}}$  x 3  $\textcircled{\text{I}}$  x 2



6.  $\textcircled{K} \times 4$   $\textcircled{C} \times 4$   $\textcircled{I} \times 2$   $\textcircled{J} \times 2$

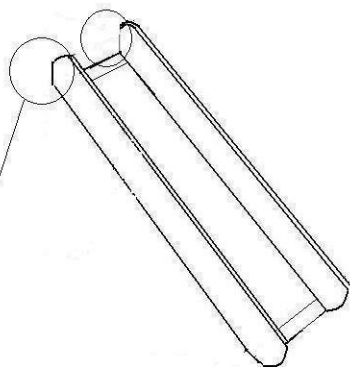
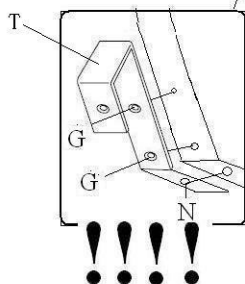


7.  $\textcircled{H} \times 22$

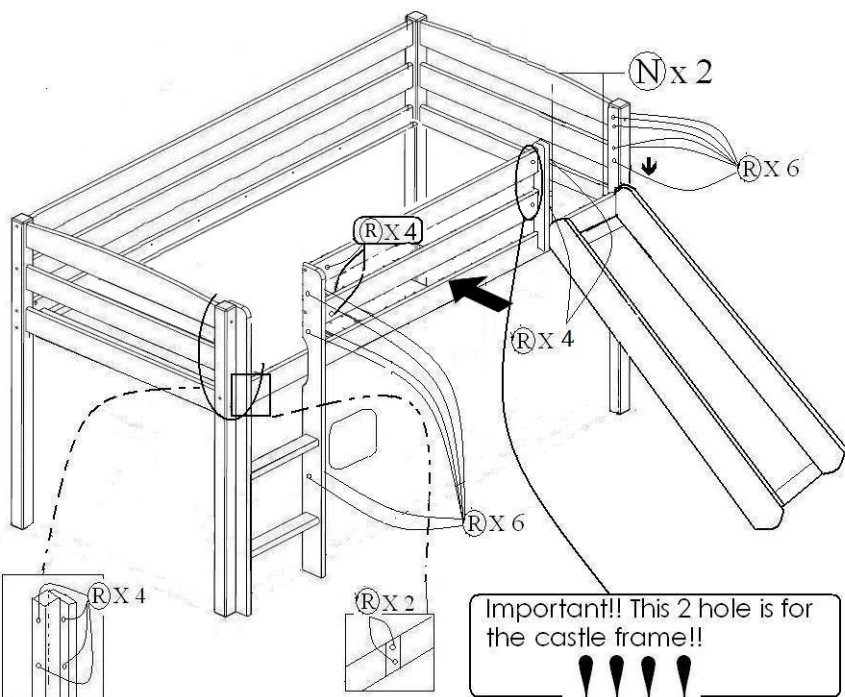


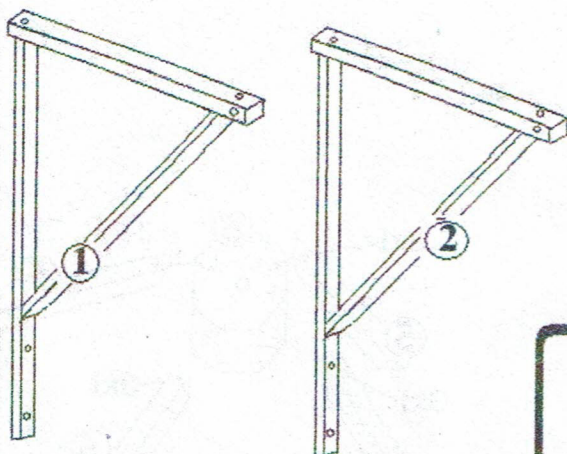
**8.**  $\textcircled{G} \times 4$   $\textcircled{T} \times 2$   $\textcircled{N} \times 2$

Important!! Pay attention to this hook assembly! G for upper assembly, and N for low



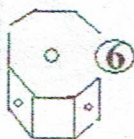
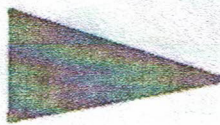
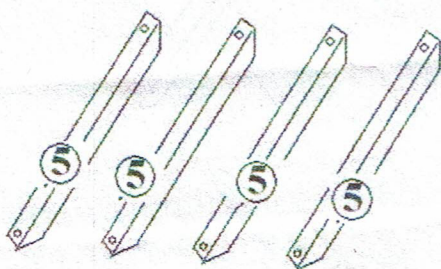
**9.**  $\textcircled{N} \times 2$   $\textcircled{R} \times 26$   $\textcircled{G} \times 32$



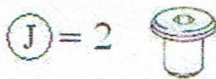
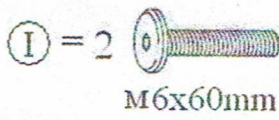
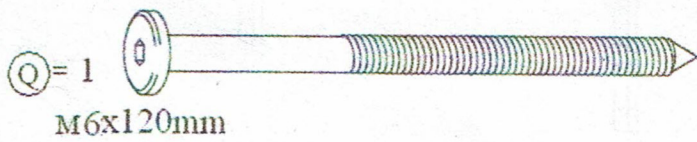
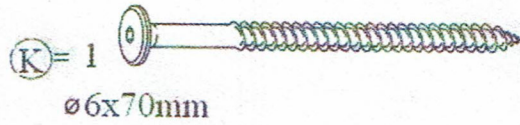
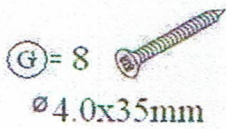
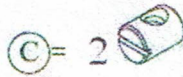
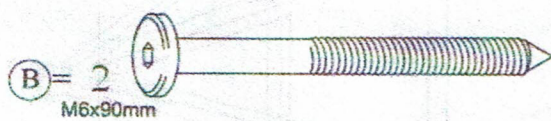


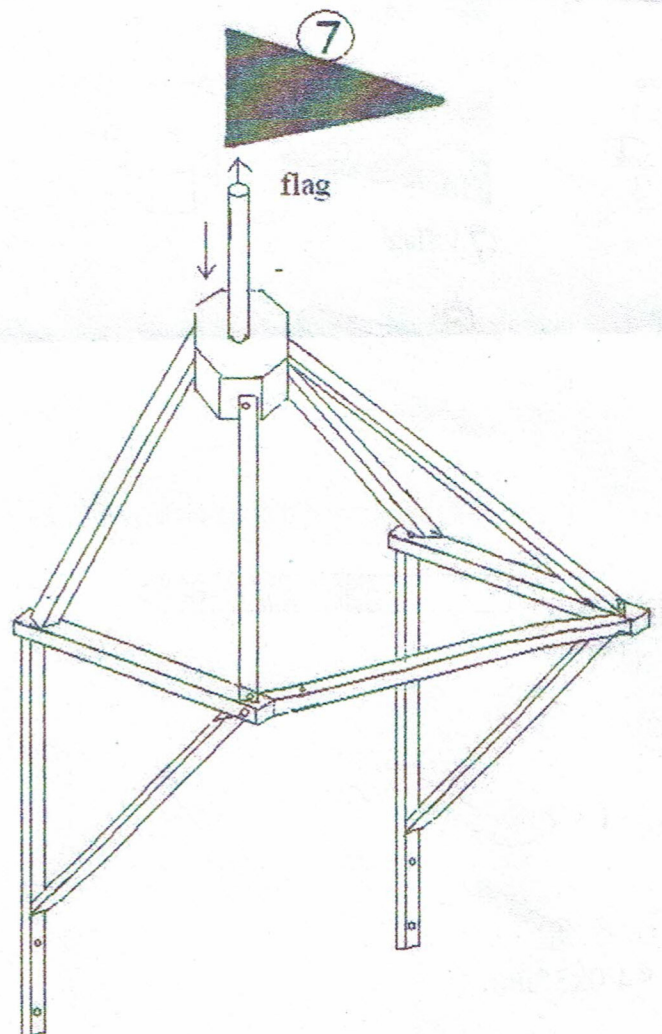
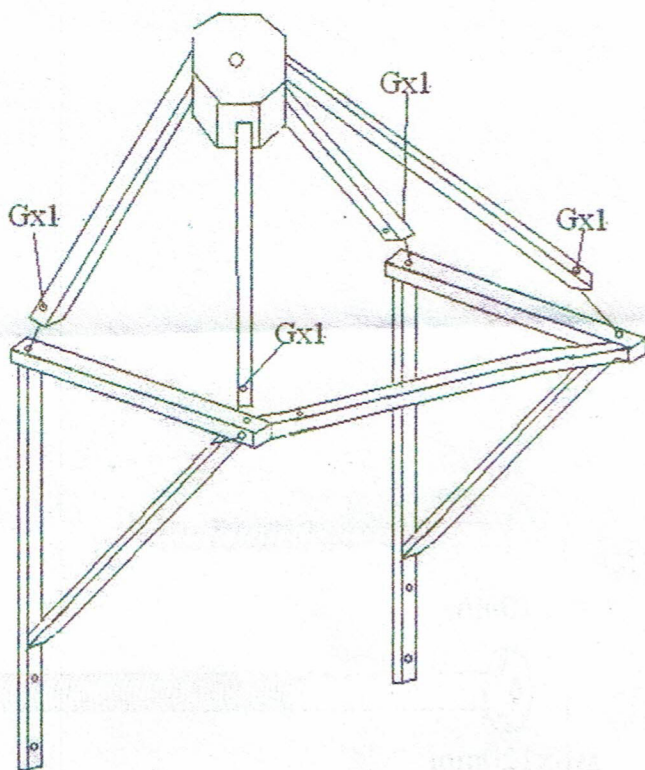
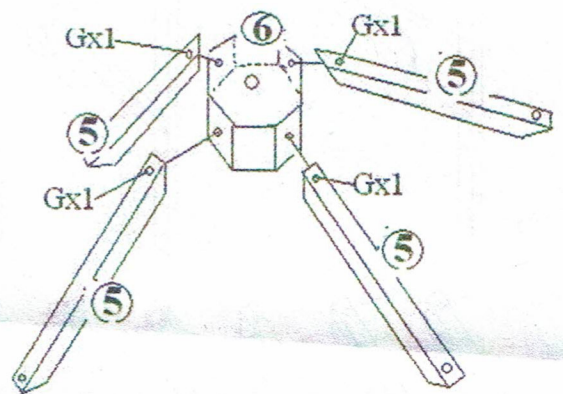
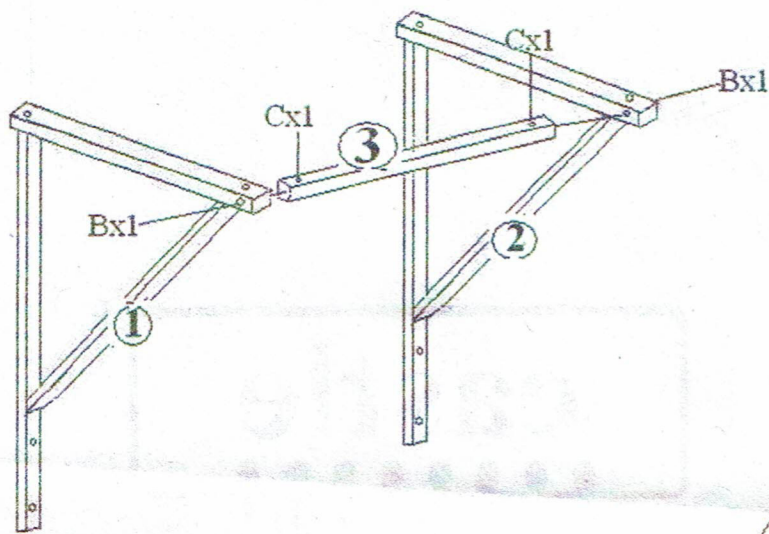
# castle

!!!



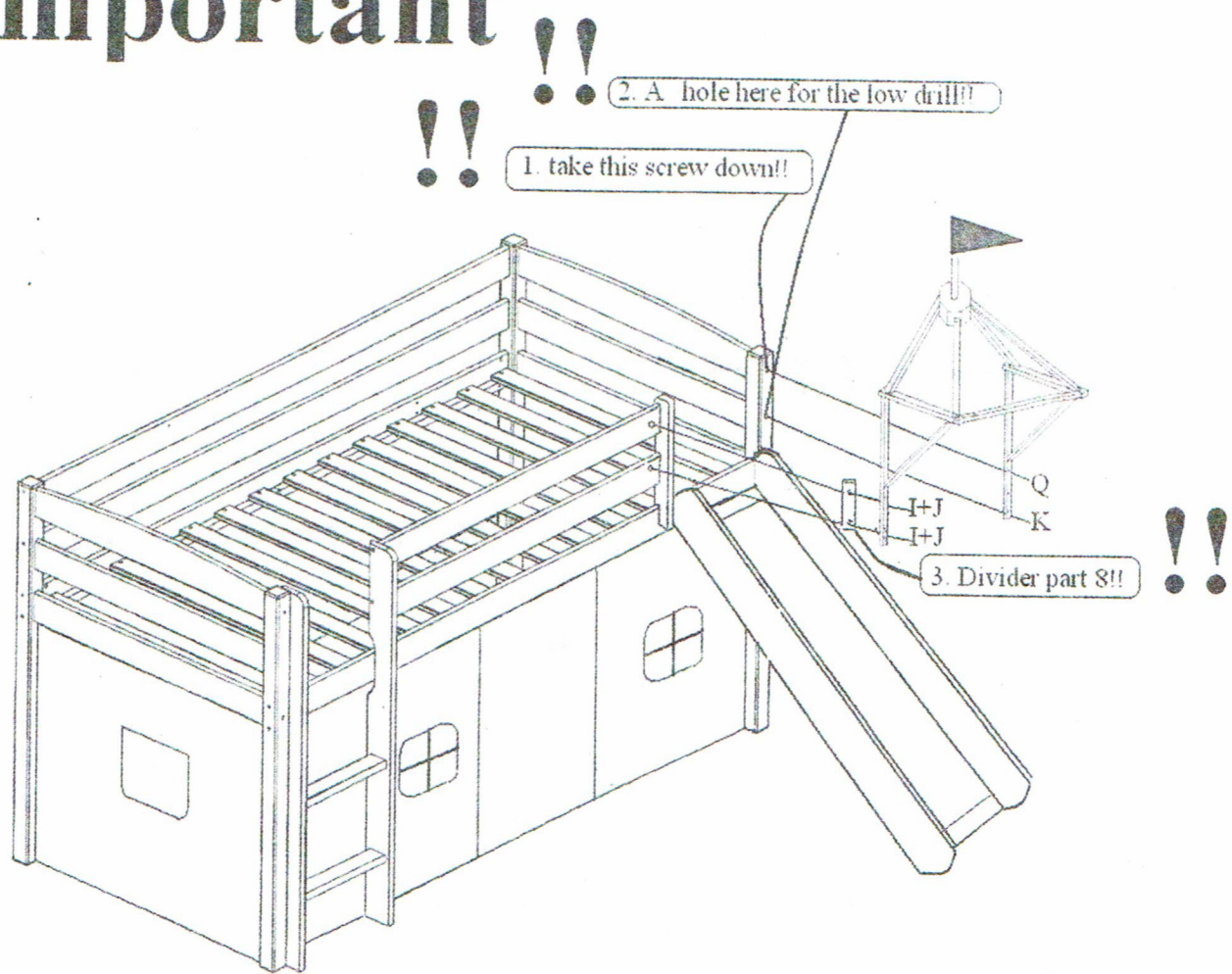
7 flag



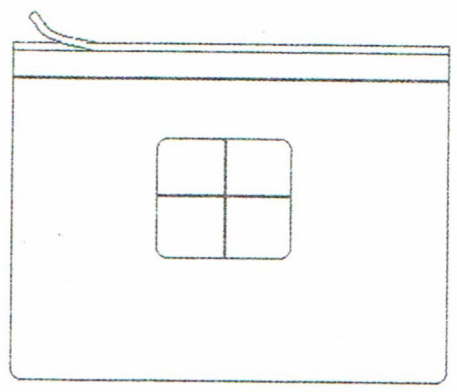




# important



Step 1: take the cover paper on the velcro away!  
Step 2: stick the male side onto inside of the bed frame!  
Step 3: attach the tent!



Note:  
1. attach tent 1 and 5 onto inside of endrail! Tent 2,3,4 onto inside of front side rail!!  
2. Tent washable!

NOTE: Finally put the textile castle onto the support frame!!

