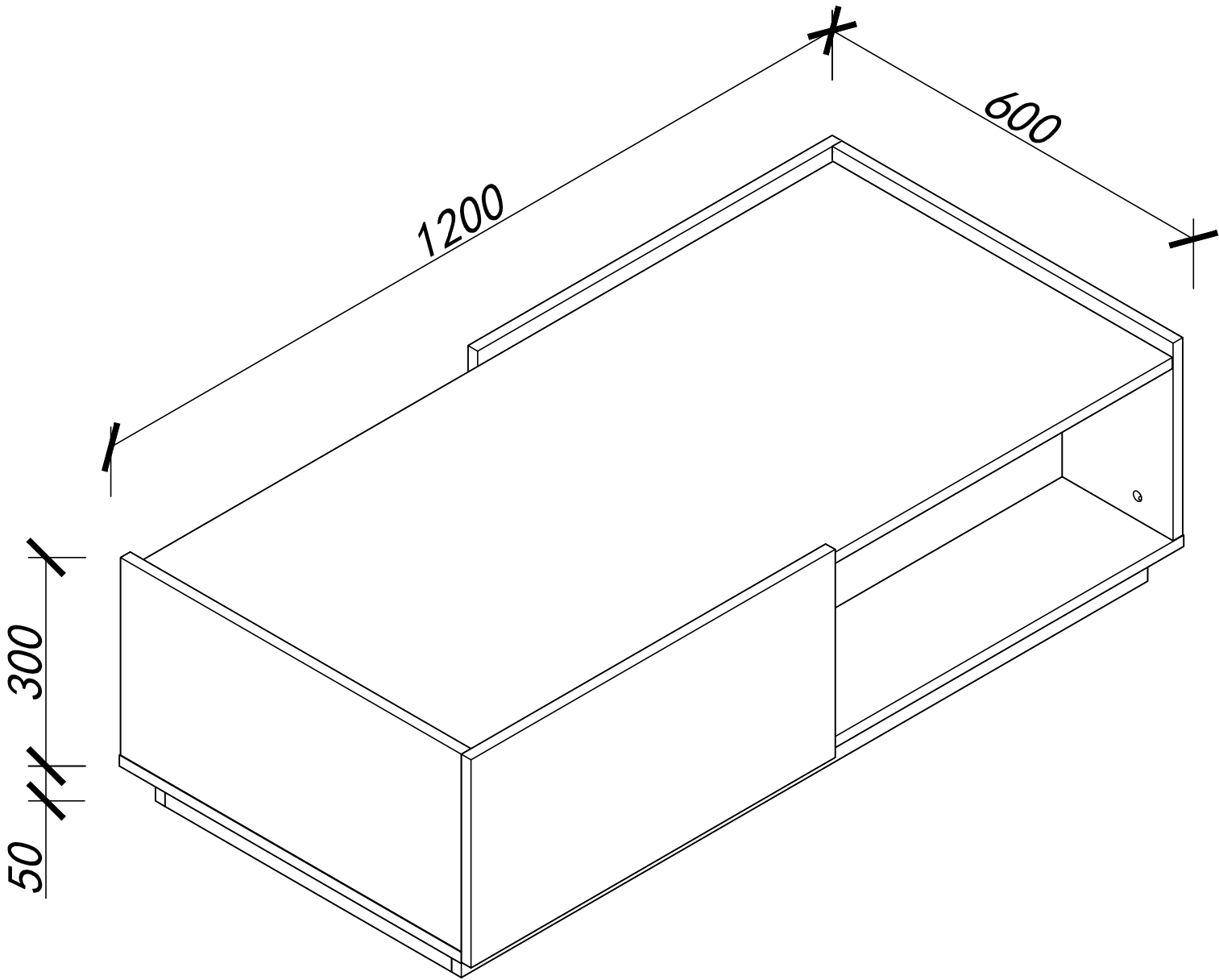
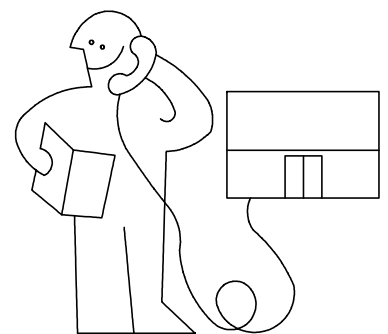
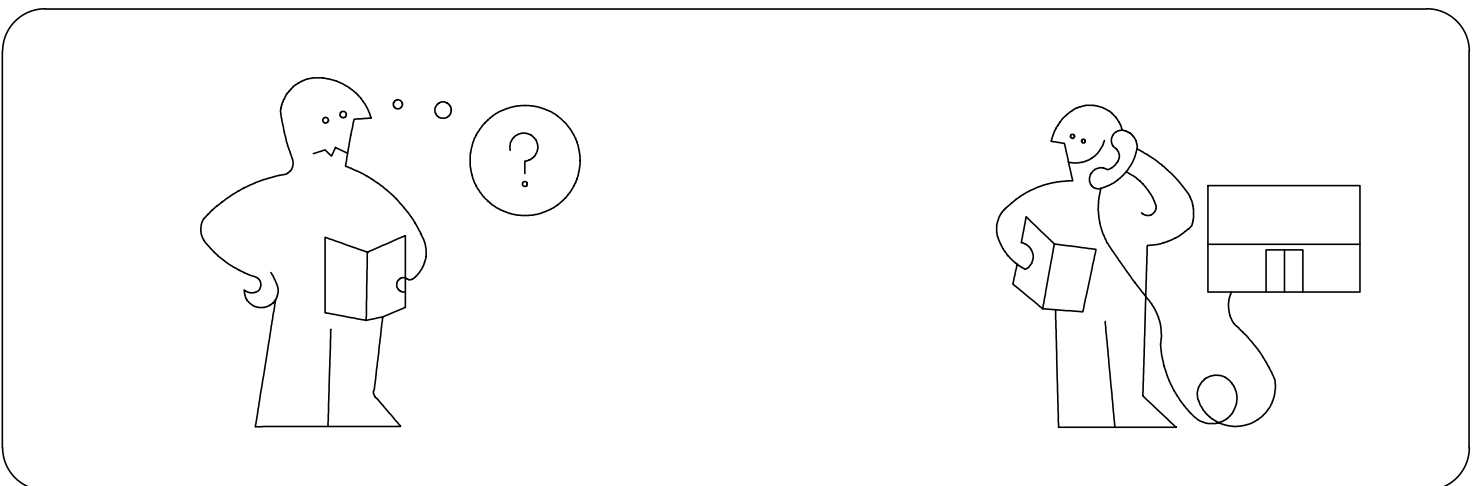
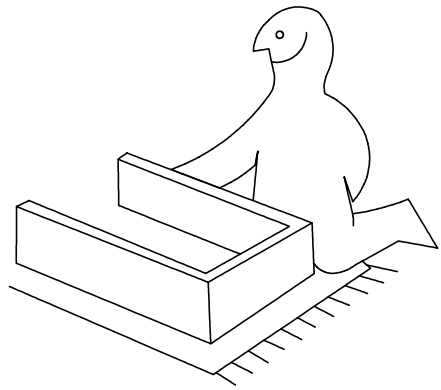
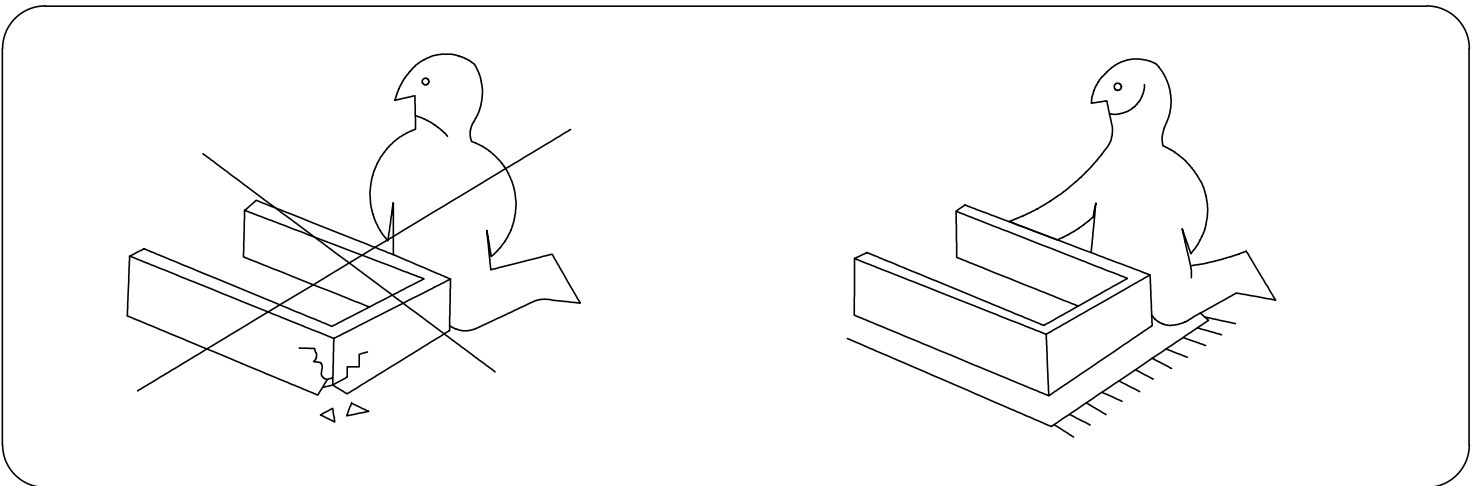
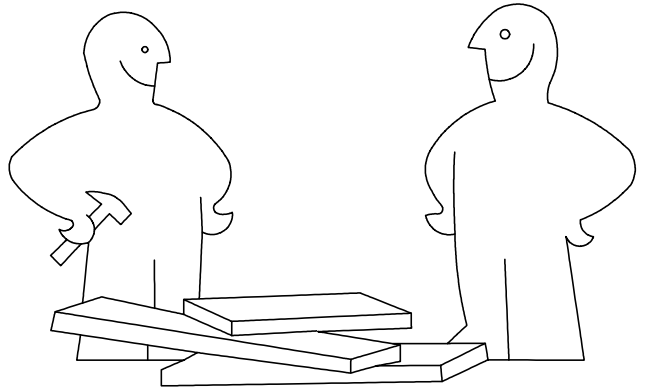
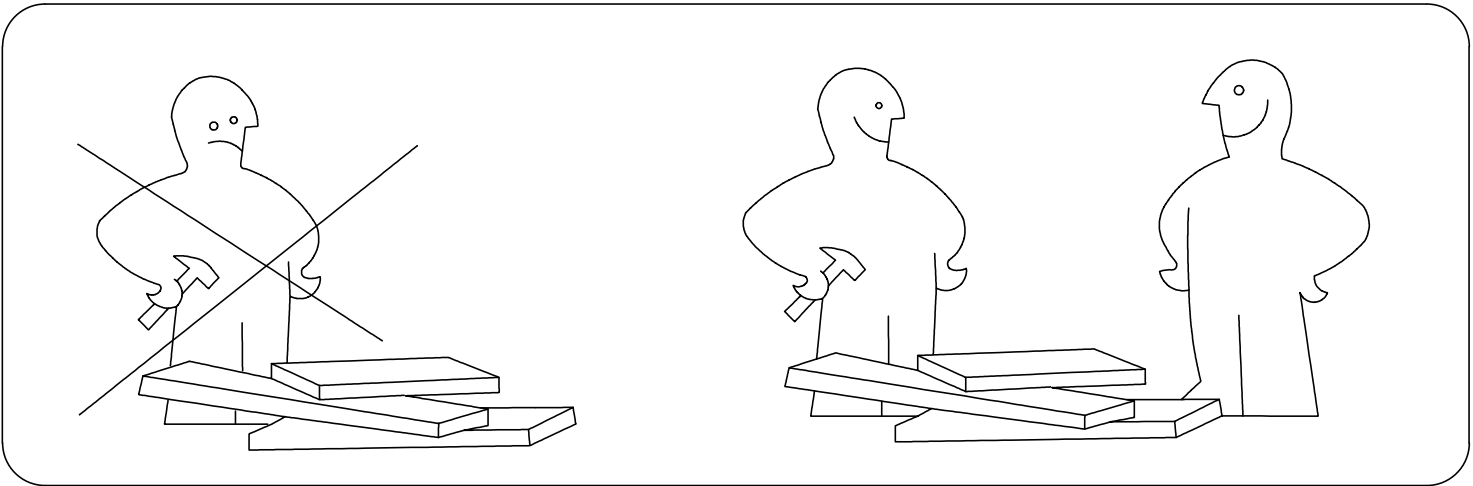
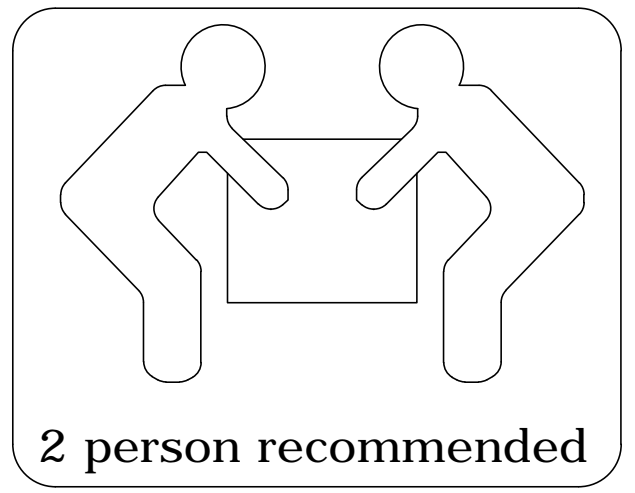
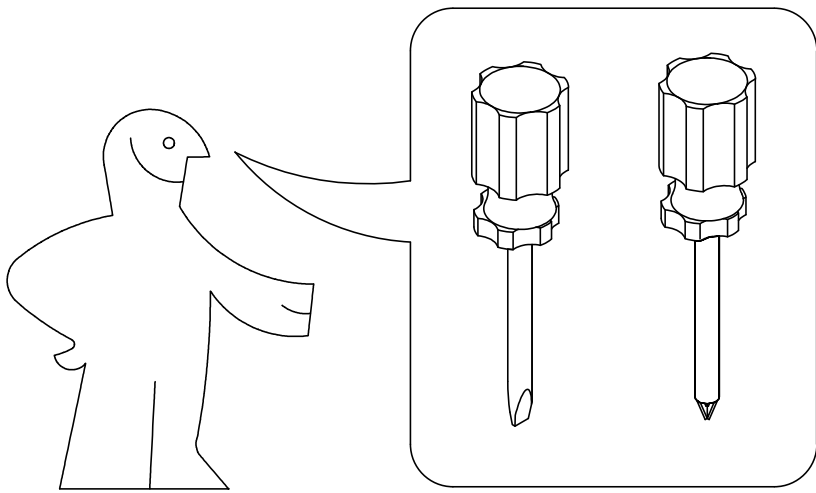


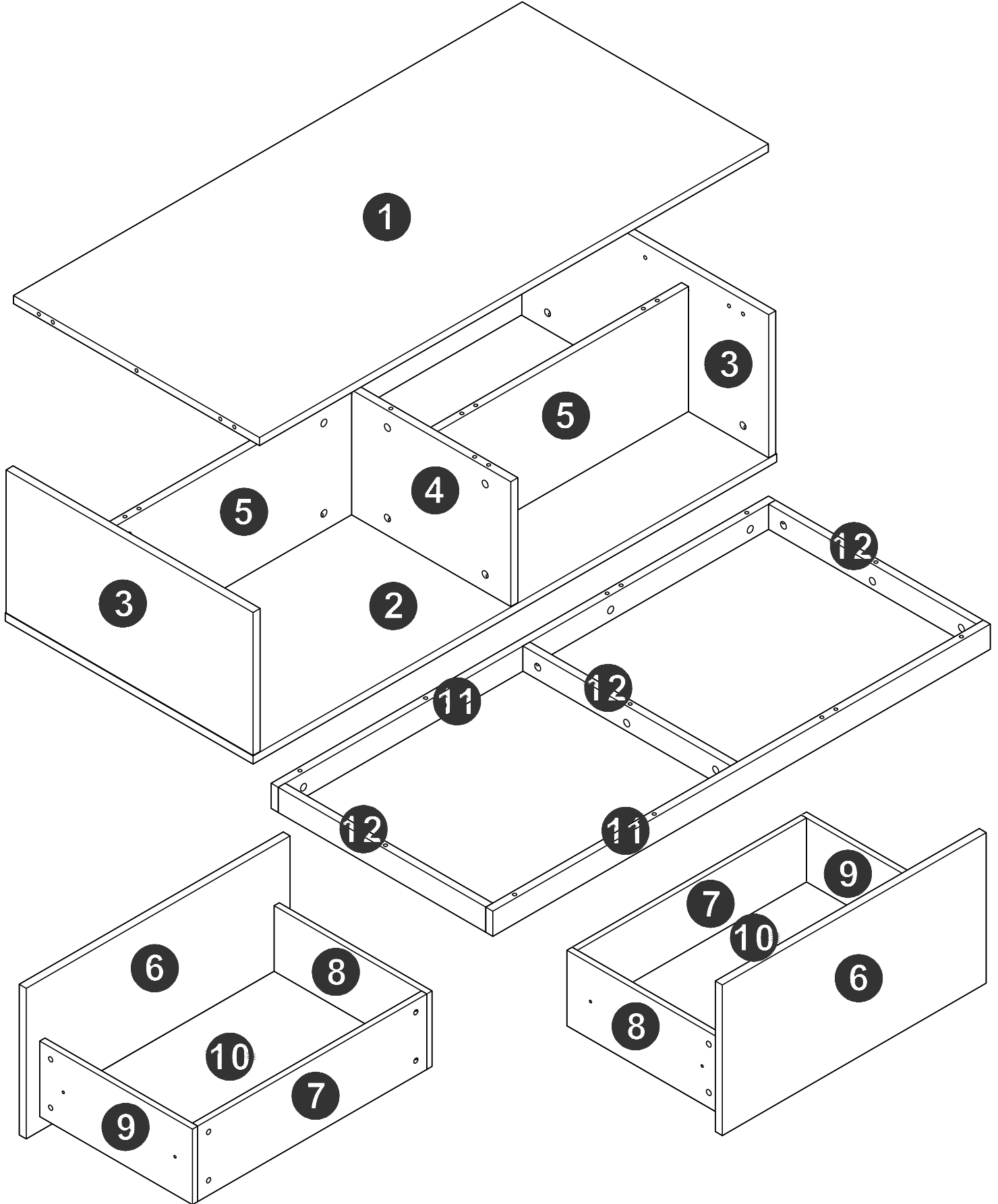
# Assembly Instruction





Panel No	Panel Sizes	Quantity
1	1166*564*16	1
2	1200*568*16	1
3	284*566*16	2
4	248*564*16	1
5	248*575*5	2
6	605*299*16	2

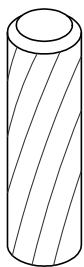
Panel No	Panel Sizes	Quantity
7	525*150*12	2
8	350*150*12	2
9	350*150*12	2
10	535*348*5	2
11	1140*50*16	2
12	476*50*16	3



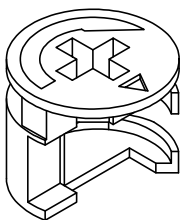
# Fittings



A=41



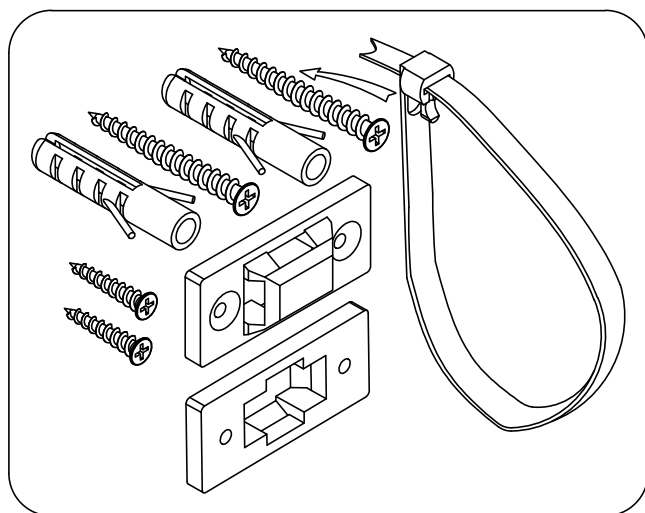
B=24



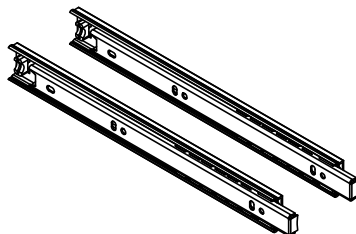
C=41



D=57



F=1



N=2



O=16



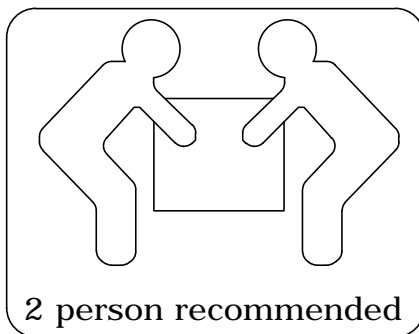
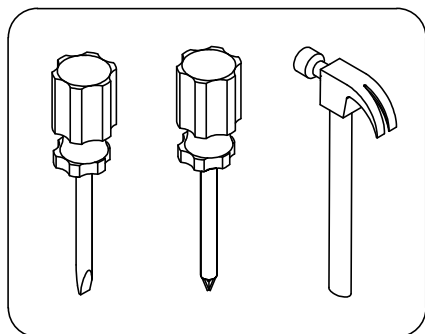
P=16



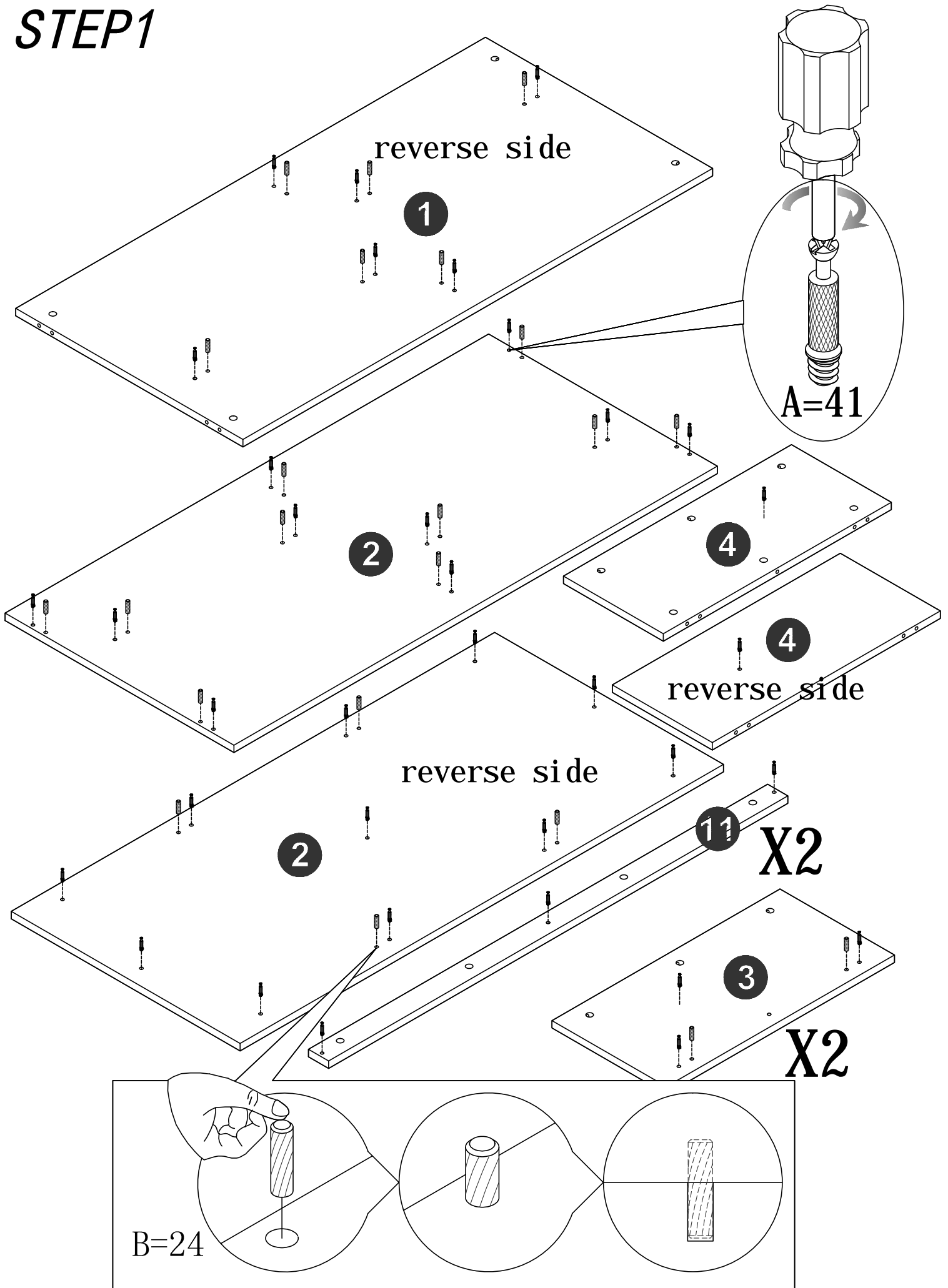
MB. 5\*12

V1=16

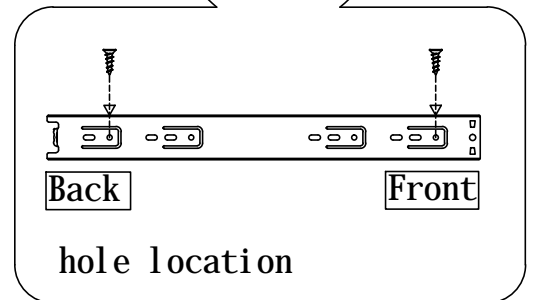
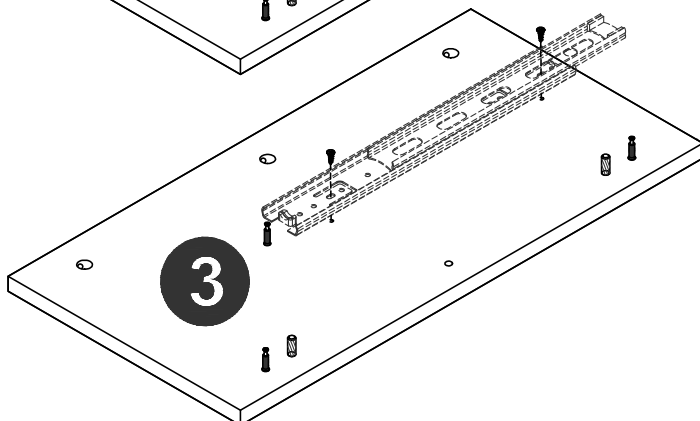
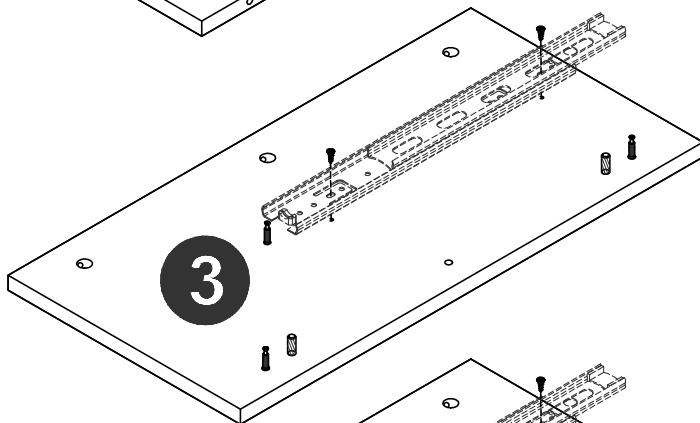
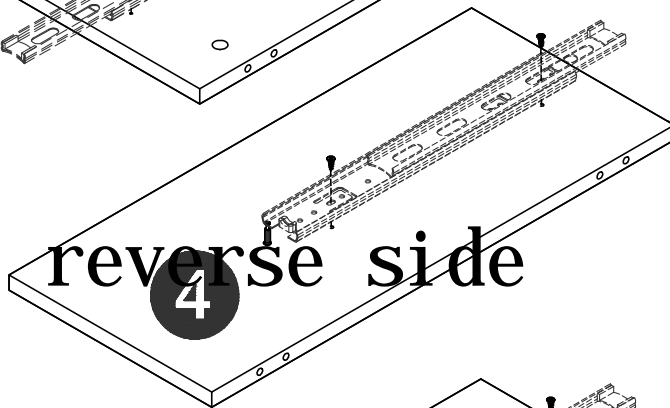
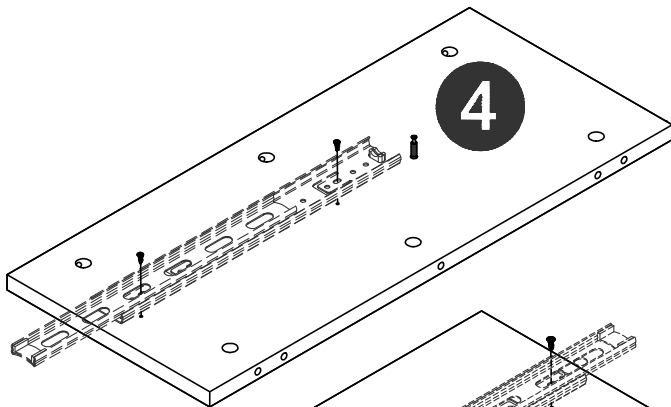
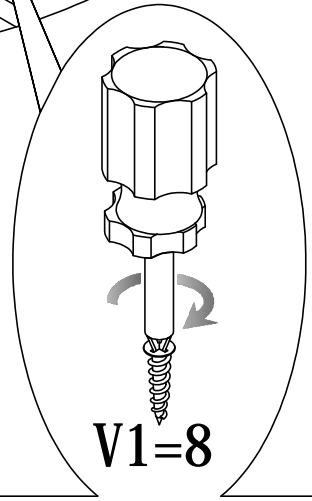
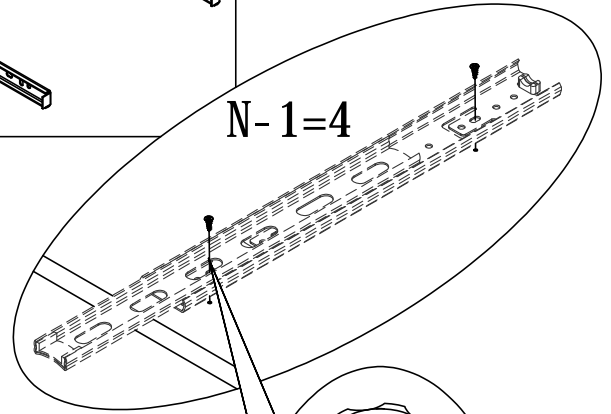
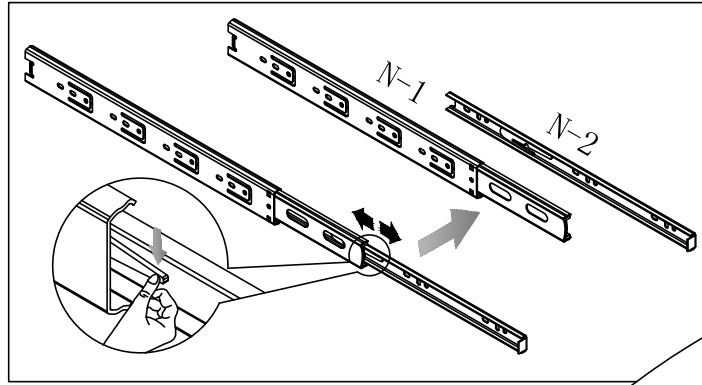
# Tools Needed



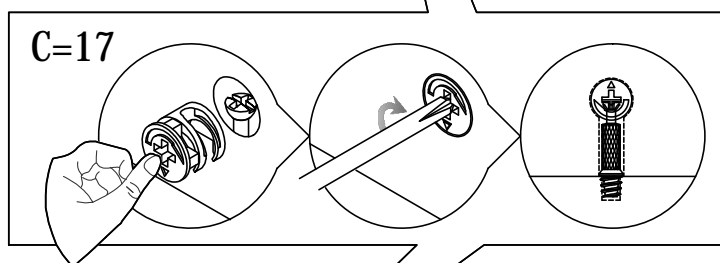
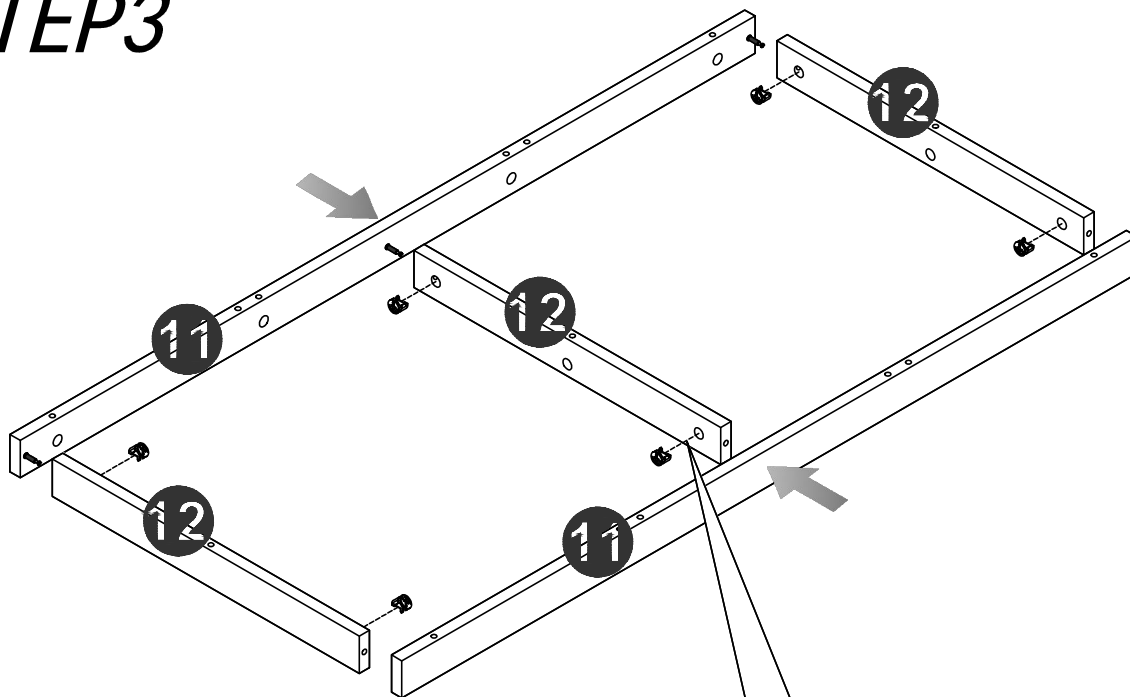
# STEP 1



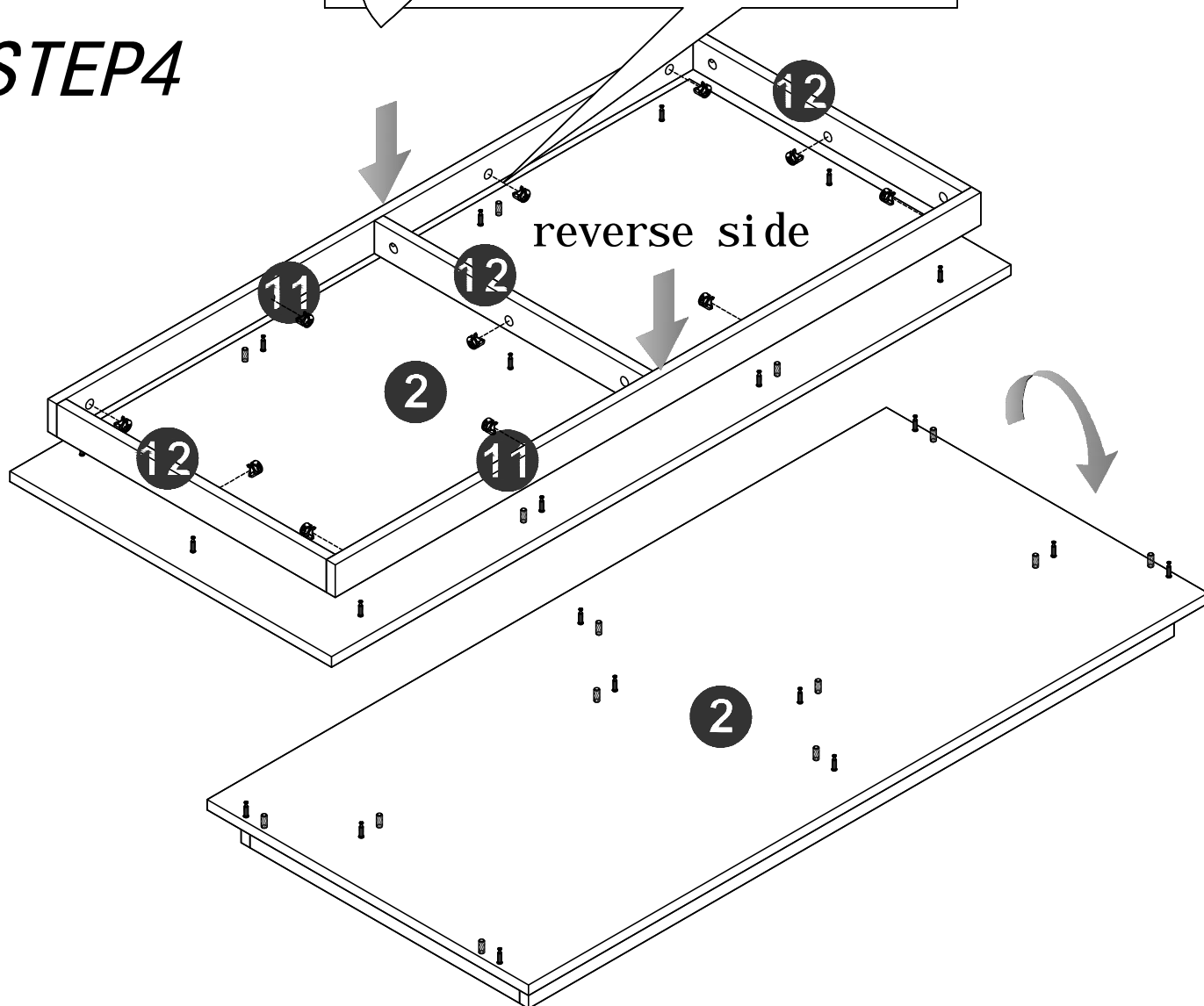
# STEP 2



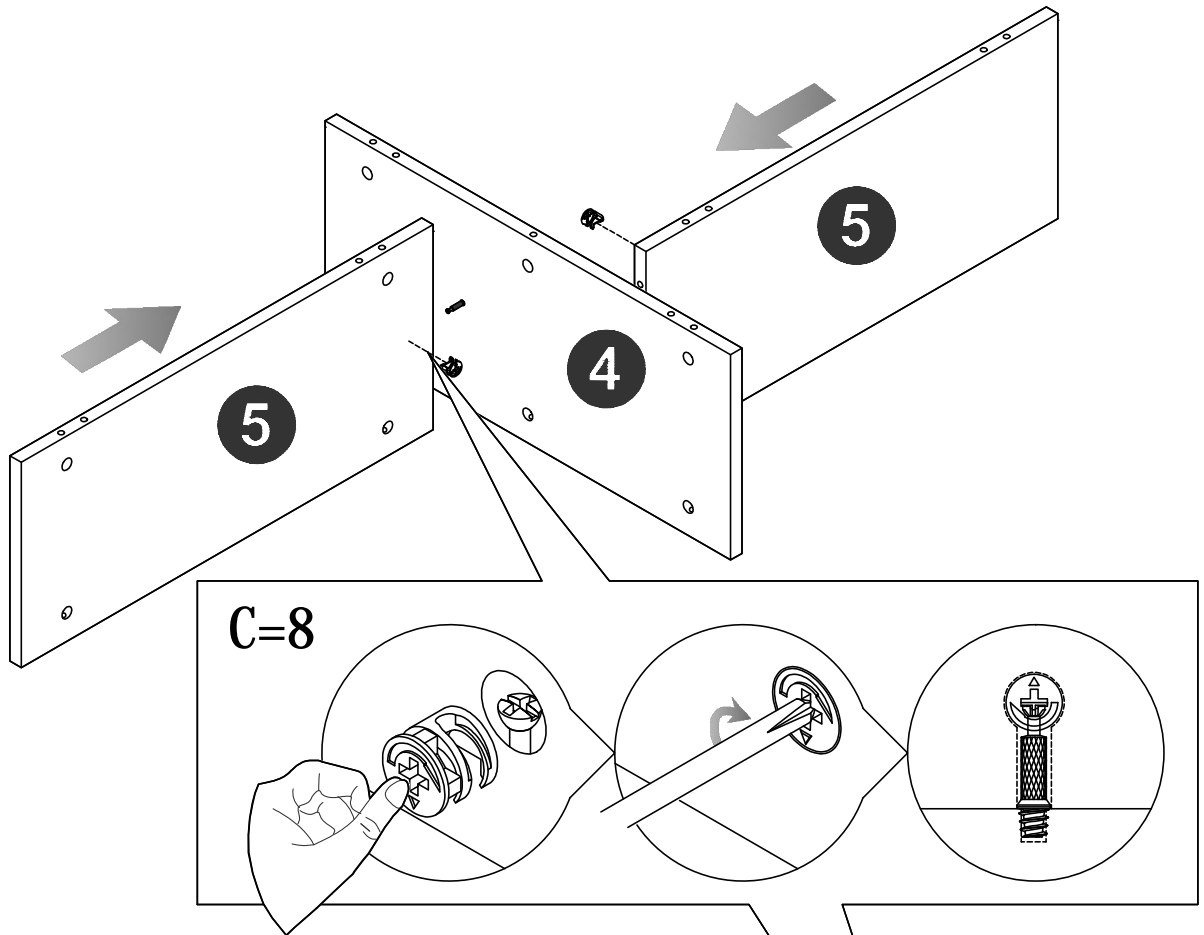
# STEP 3



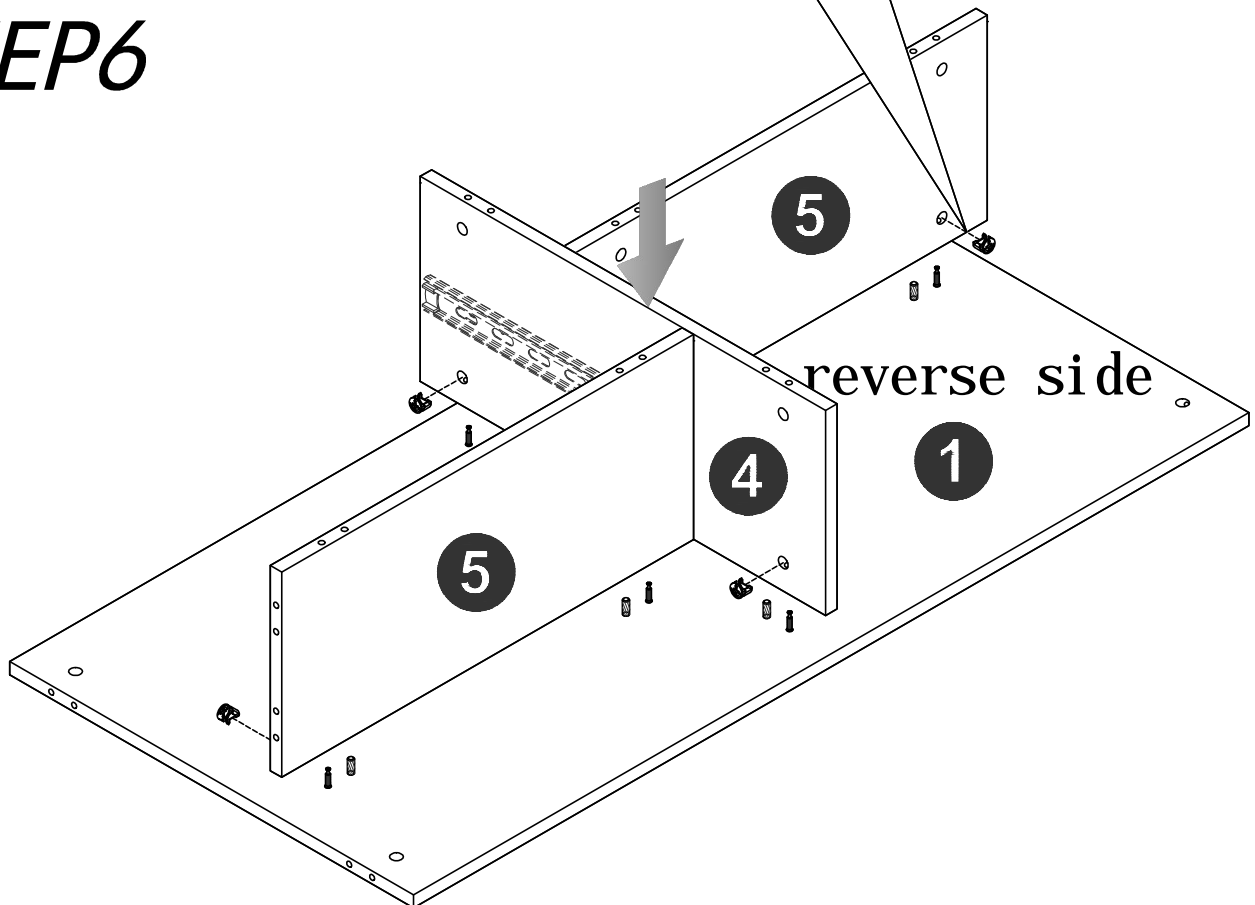
# STEP 4



# STEP 5

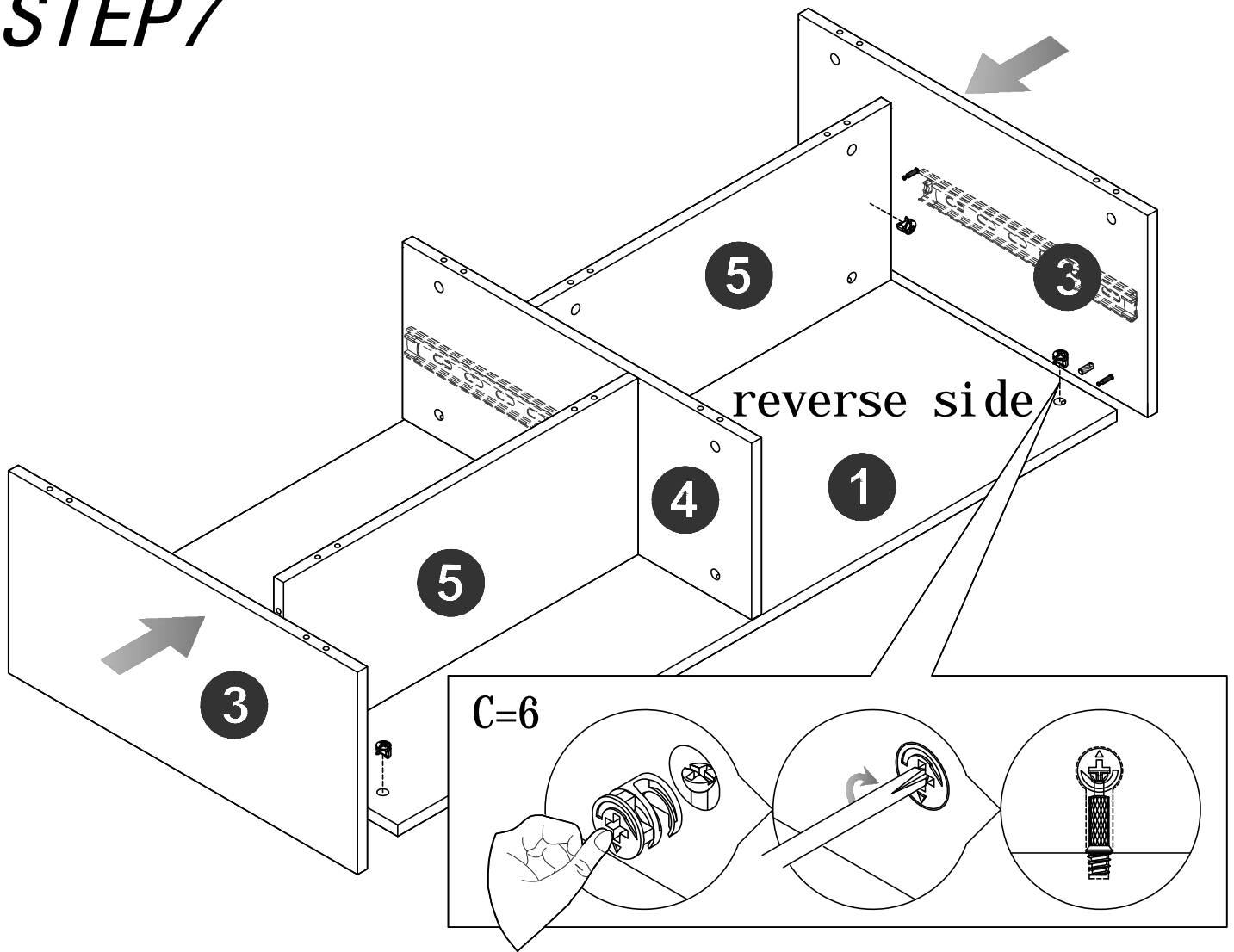


# STEP 6

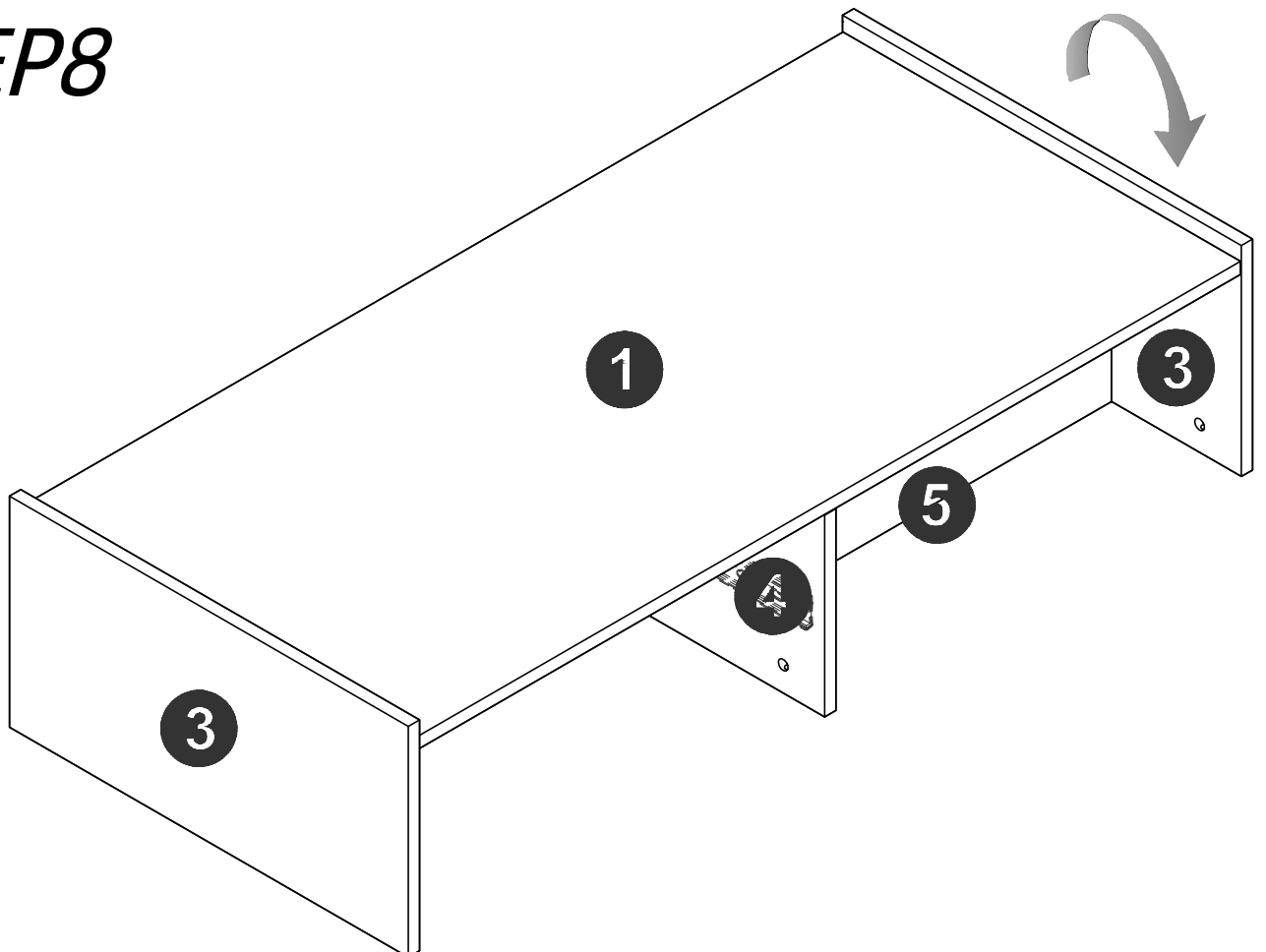




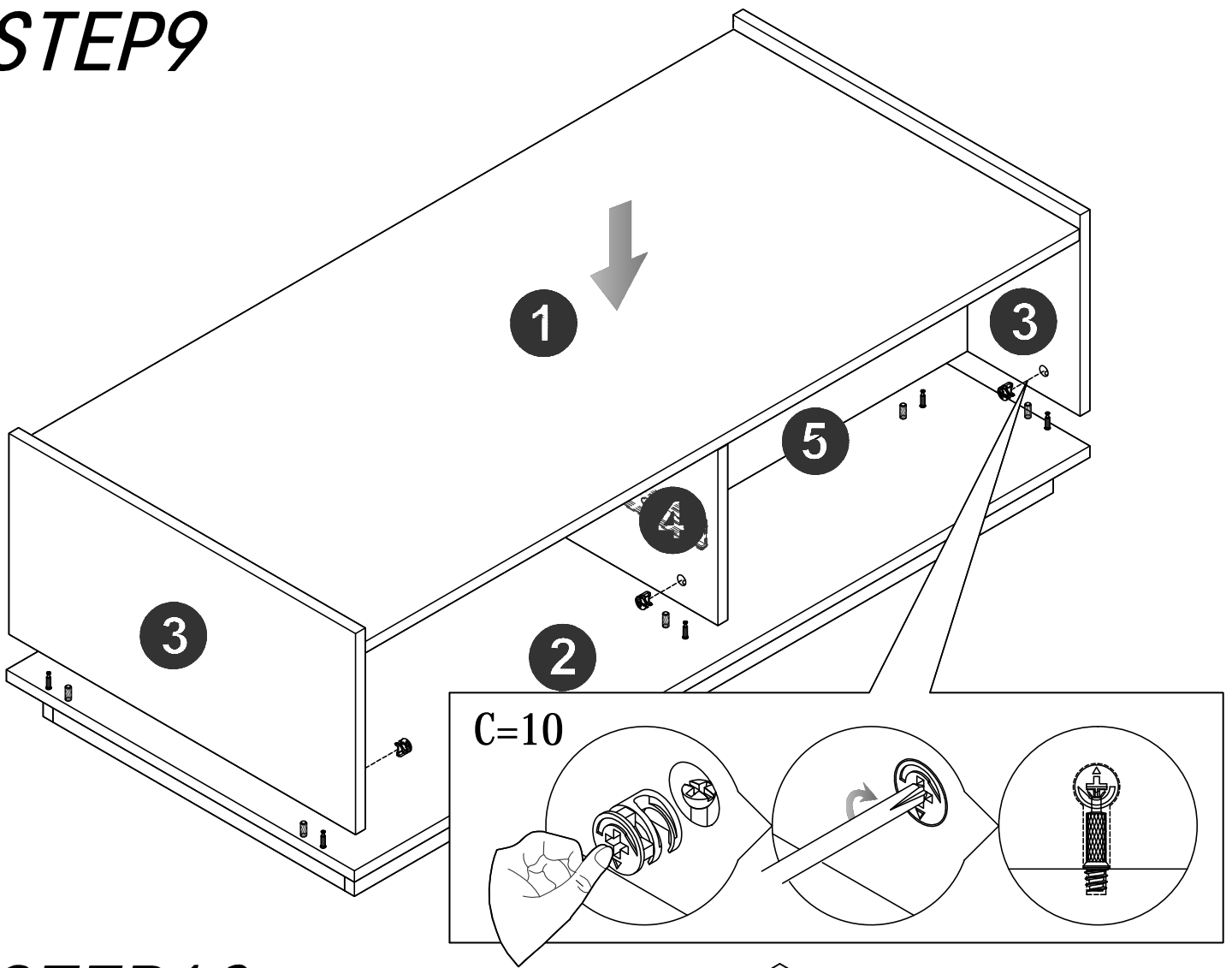
# STEP 7



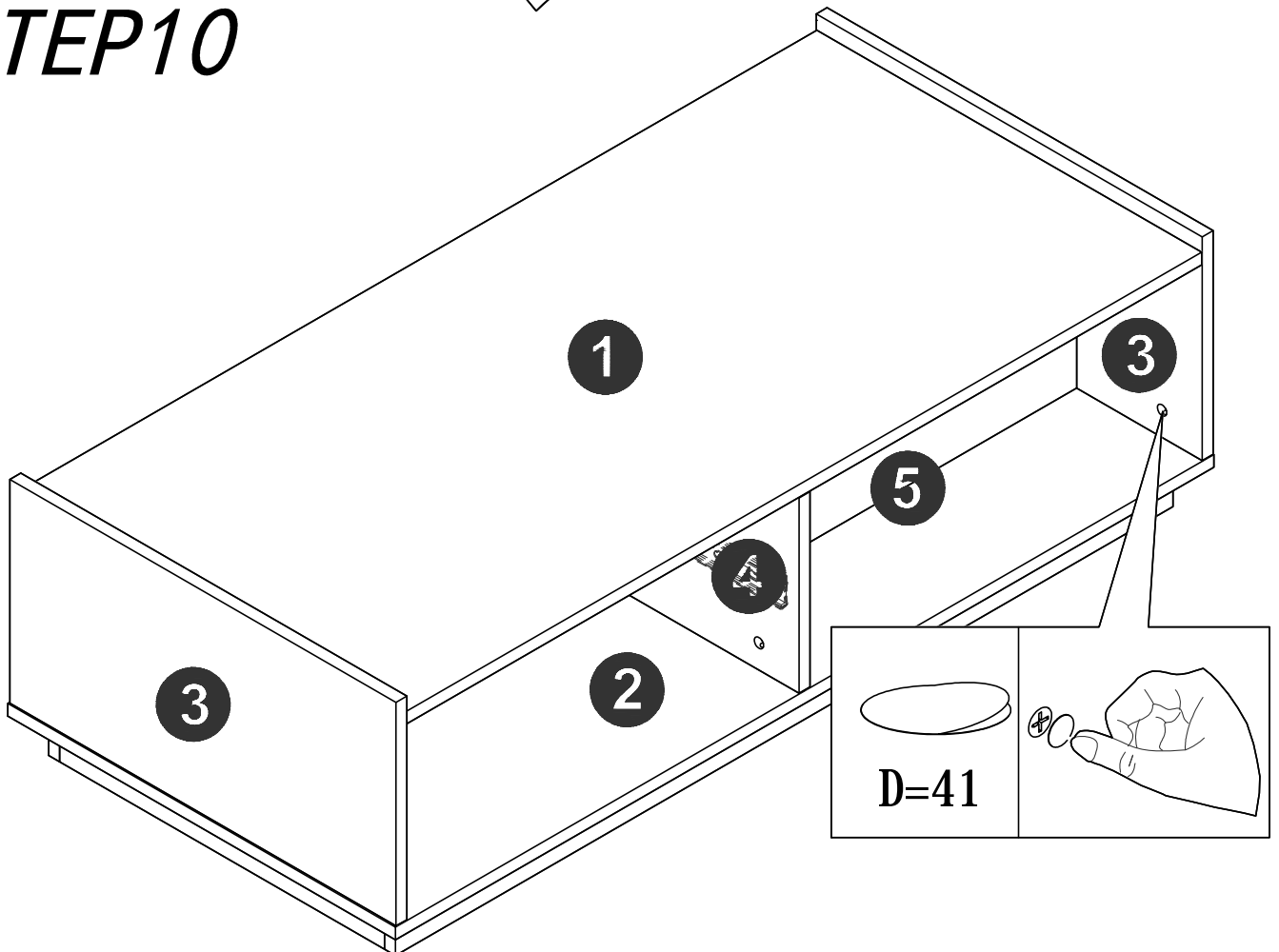
# STEP 8



# STEP 9

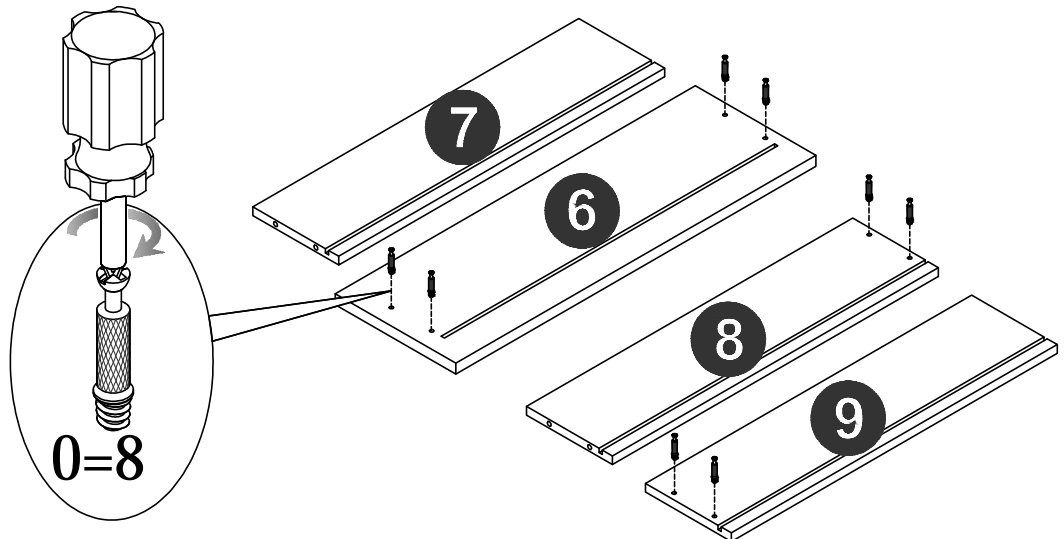


# STEP 10

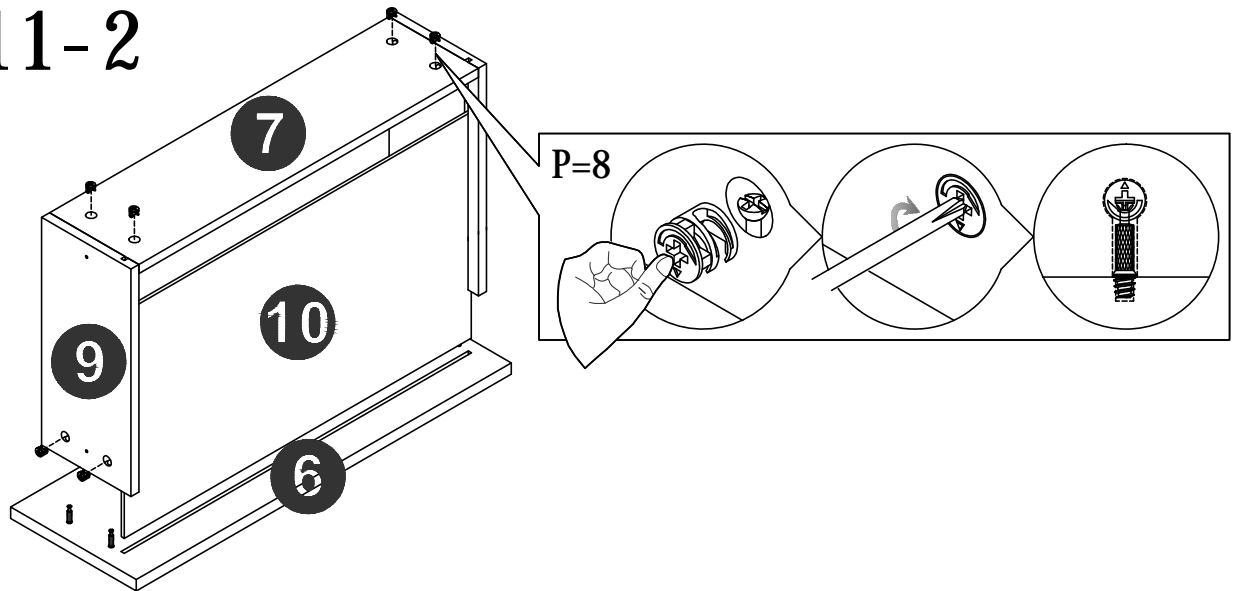


# STEP 11

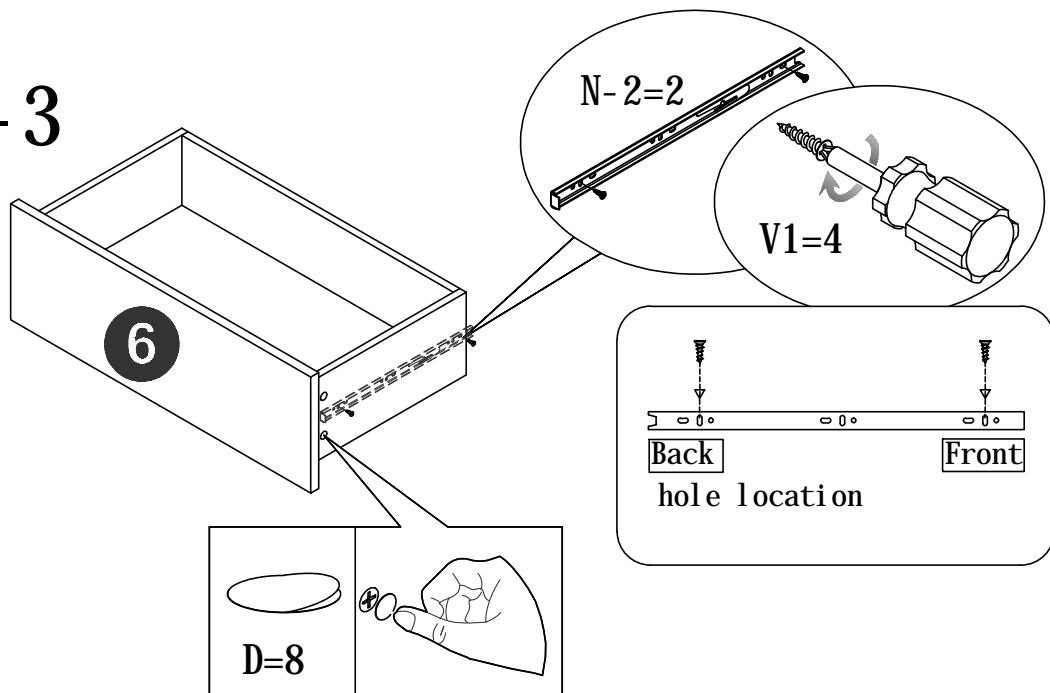
11-1



11-2

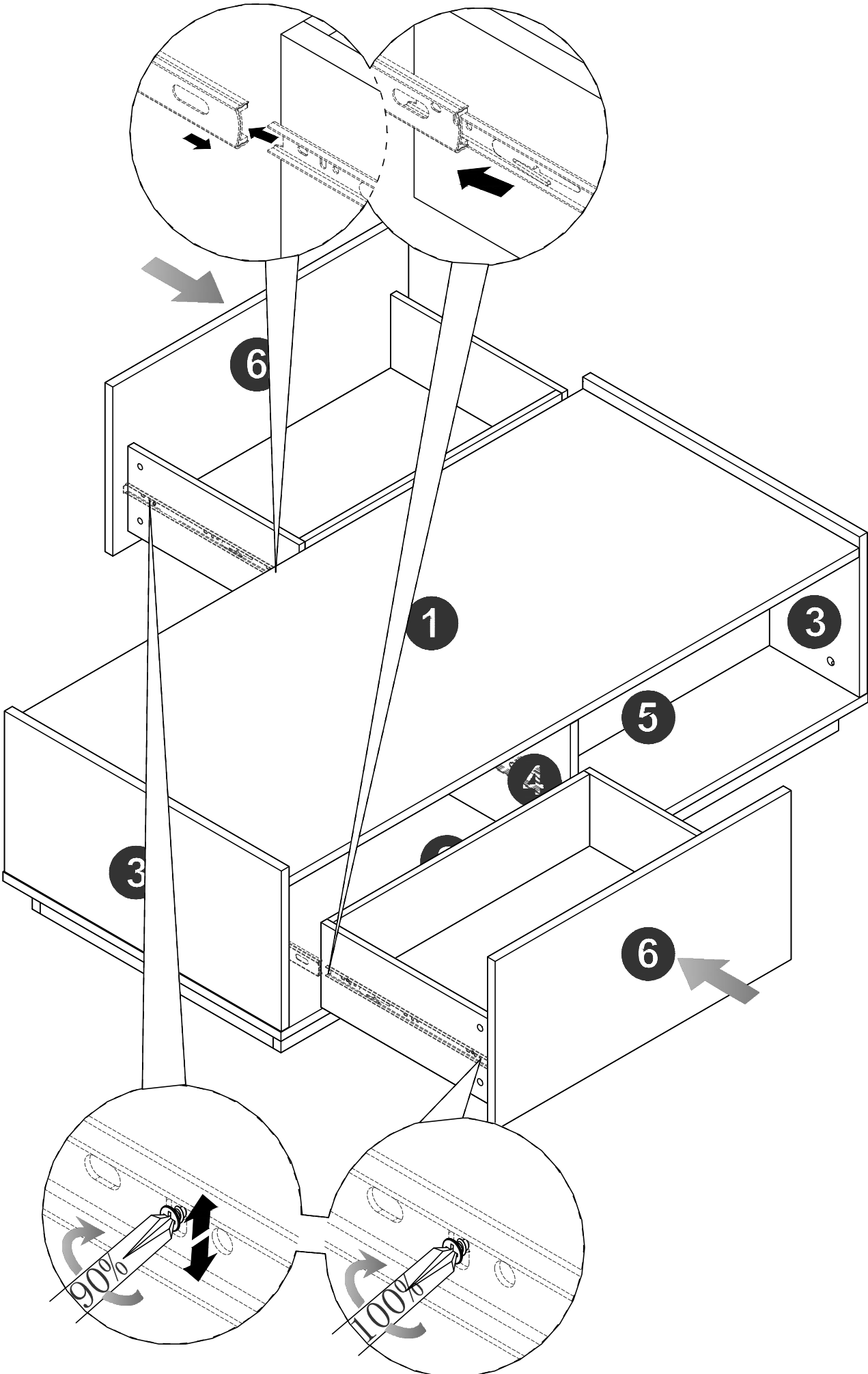


11-3

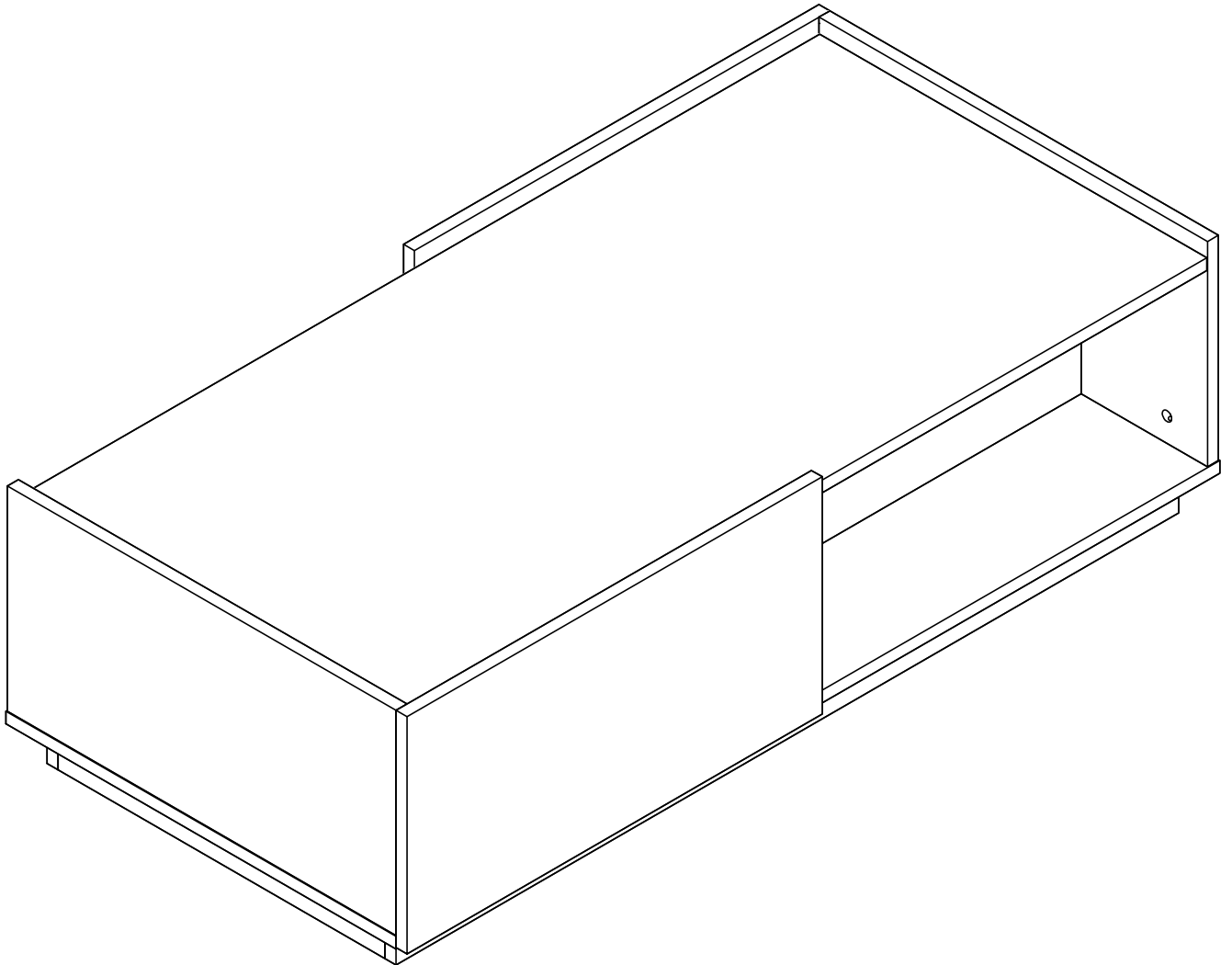


X2

# STEP 12



# *STEP13*



*FINISH*