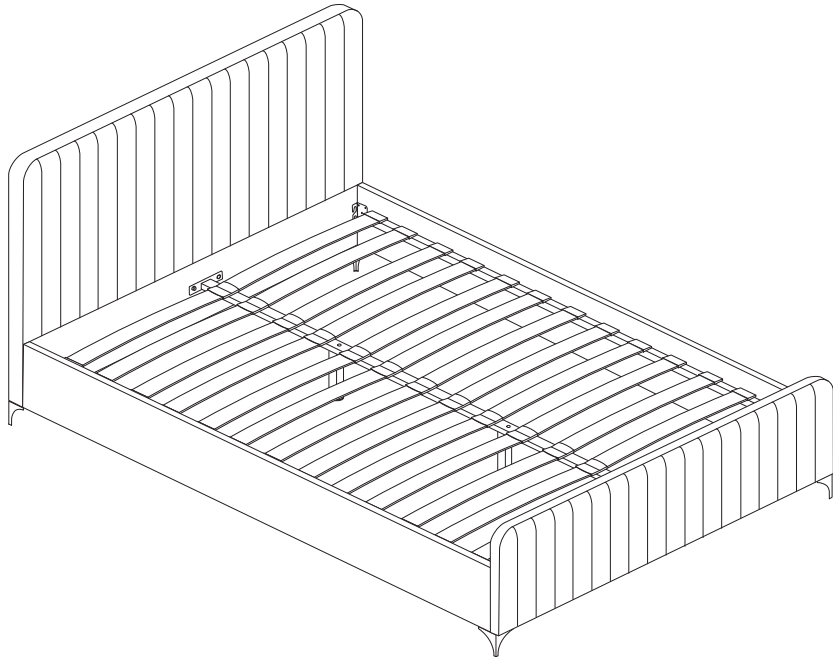
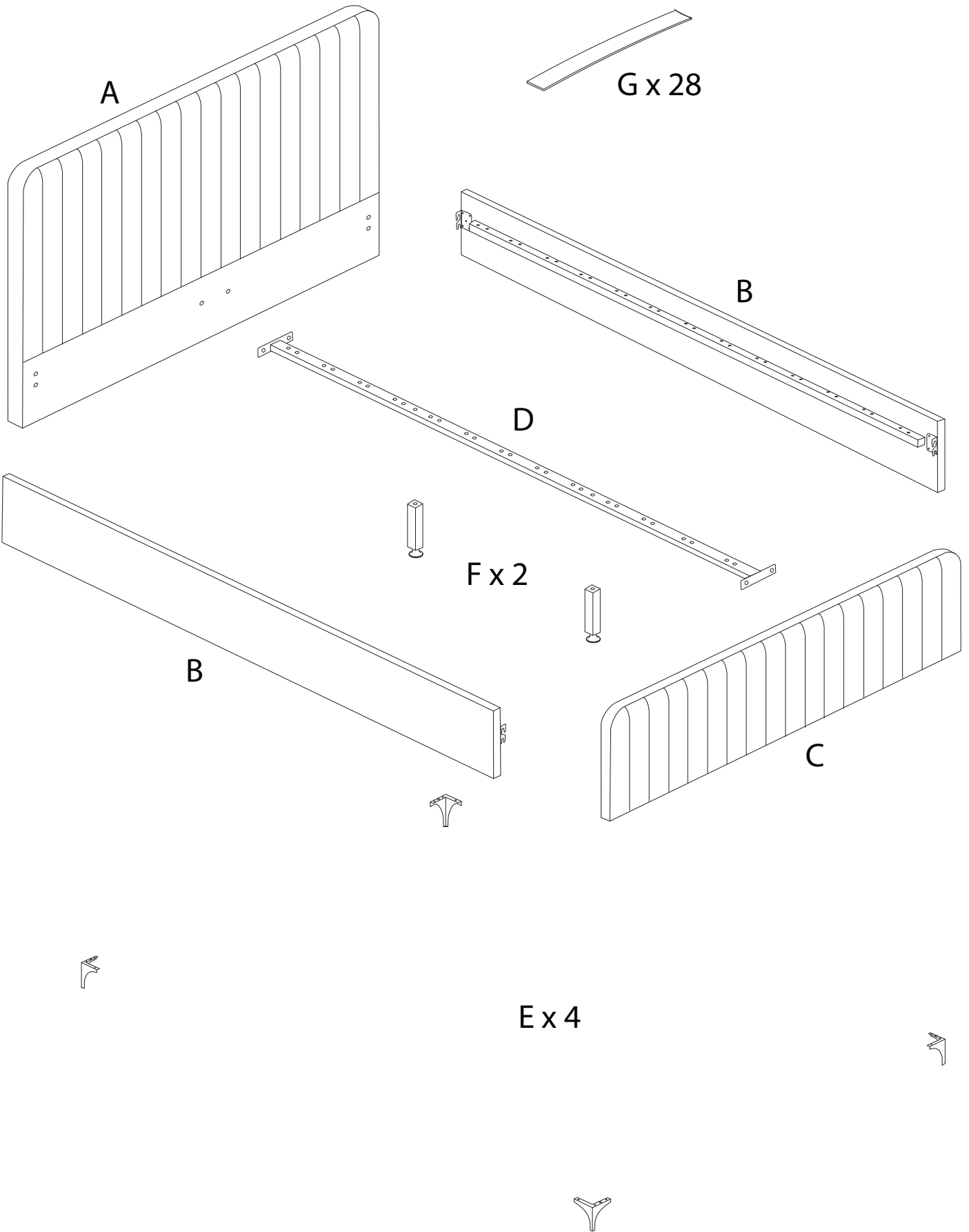


# LUNAN

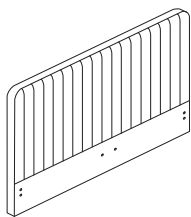




		<b>40'</b>
		<b>2</b>

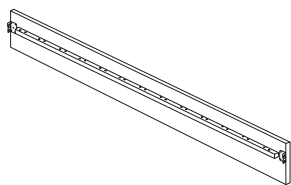


A



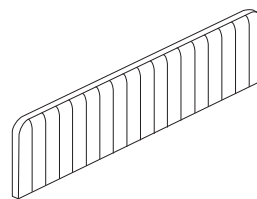
x 1

B



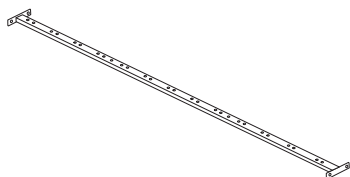
x 2

C



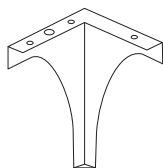
x 1

D



x 1

E



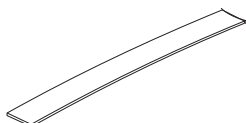
x 4

F



x 2

G



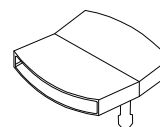
x 28

H



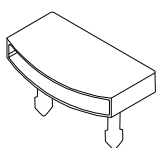
x 2

I



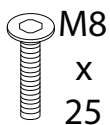
x 14

J



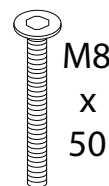
x 28

K



x 16

L



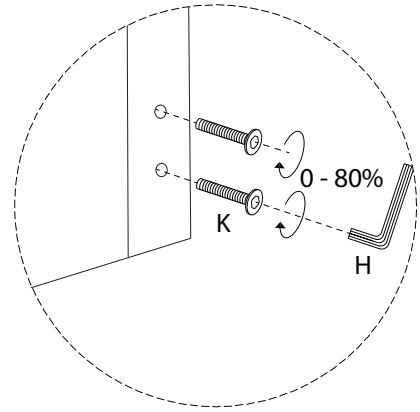
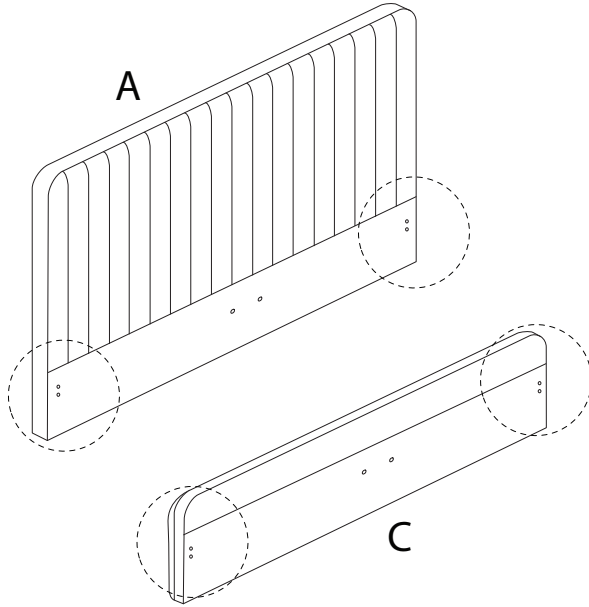
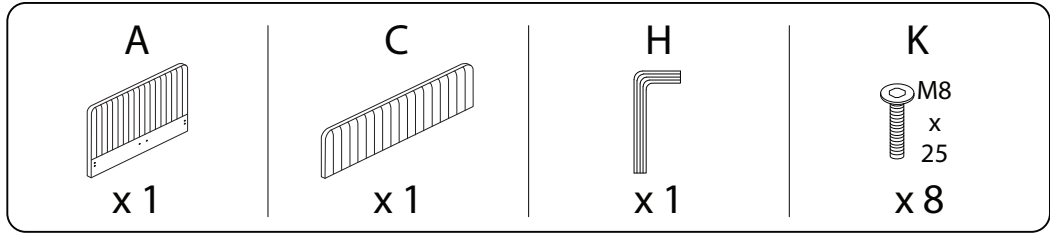
x 2

M

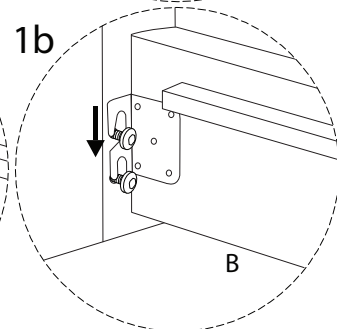
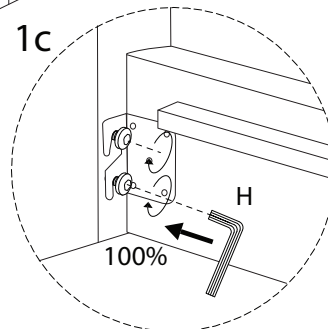
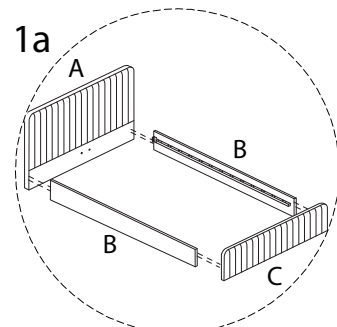
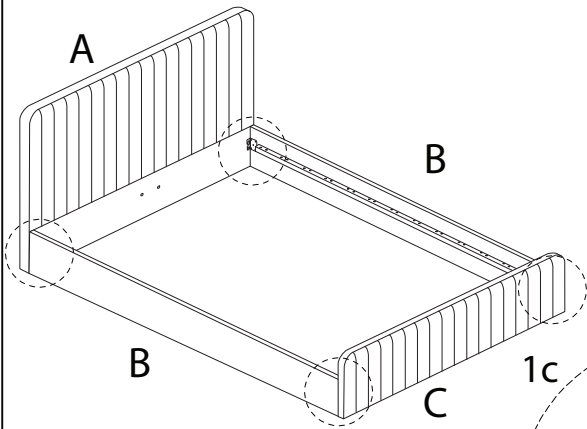
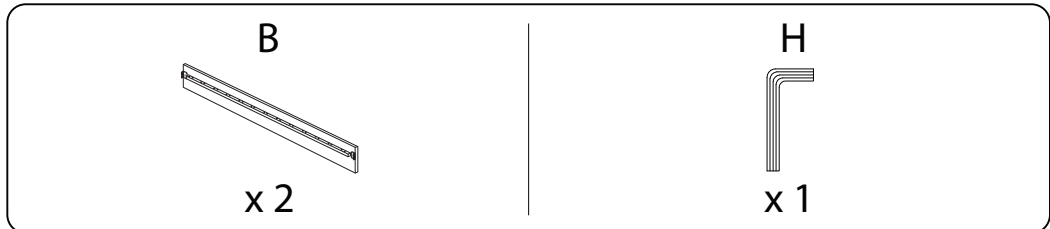


x 12

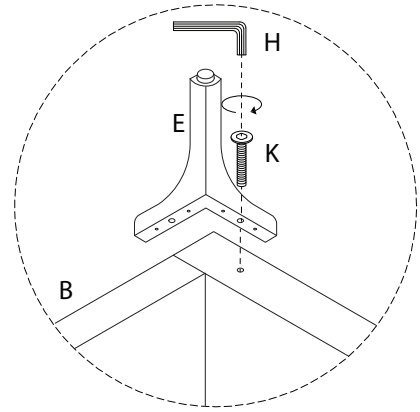
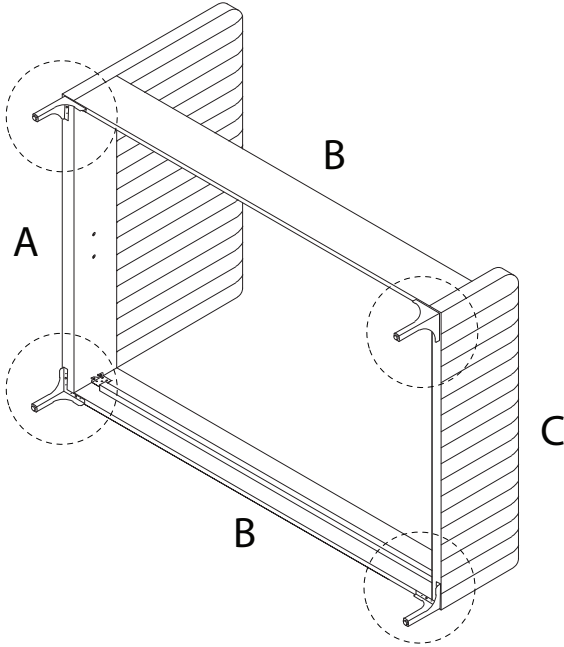
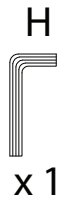
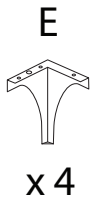
1



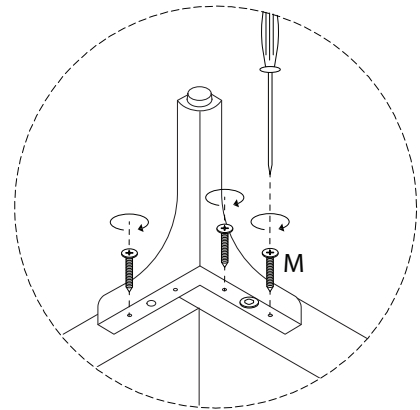
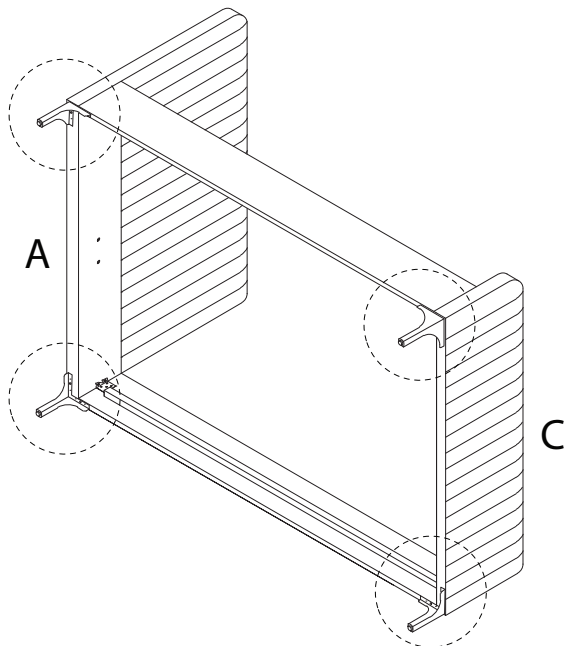
2



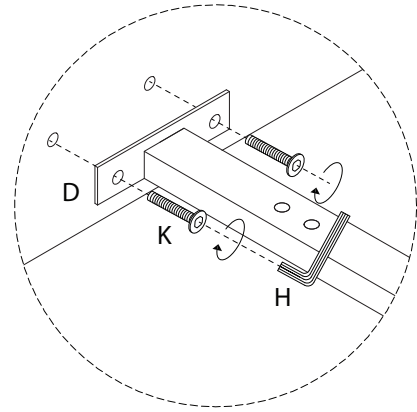
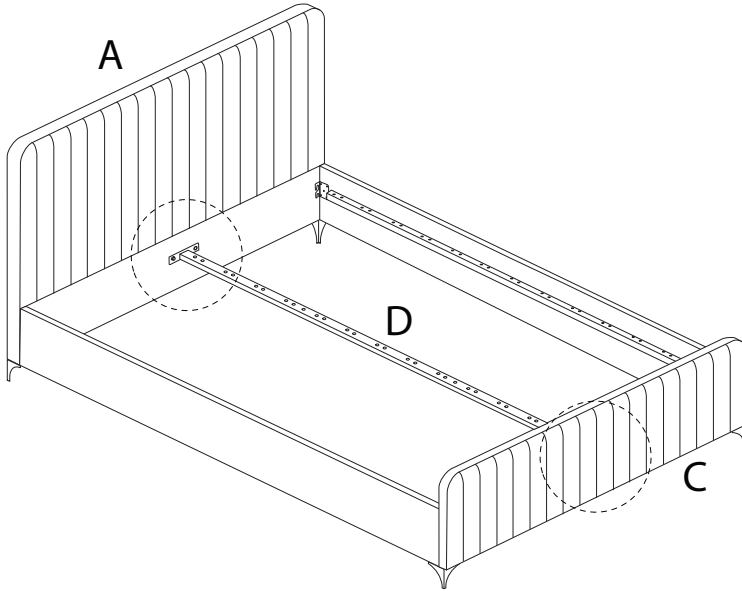
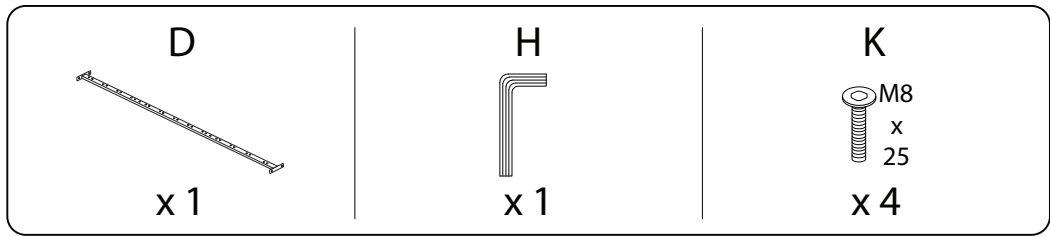
3



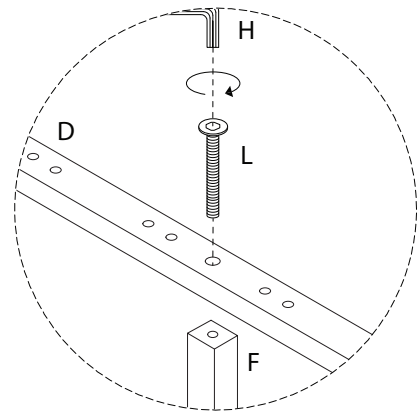
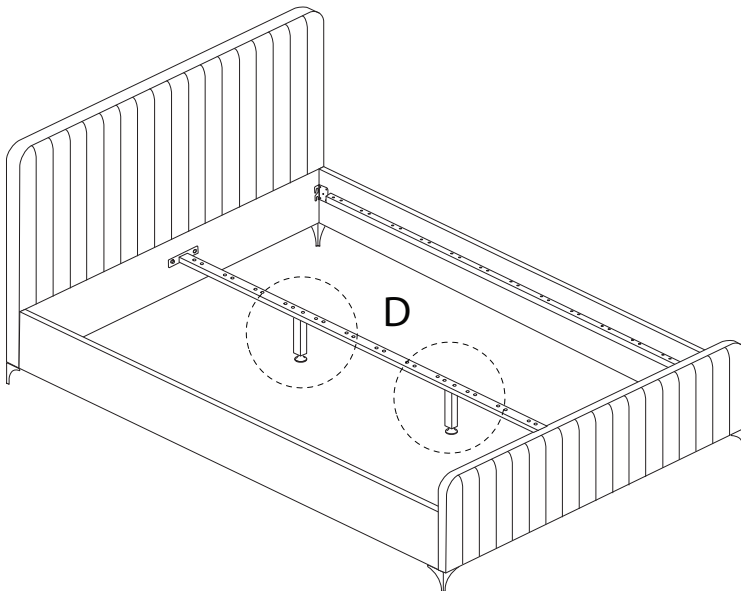
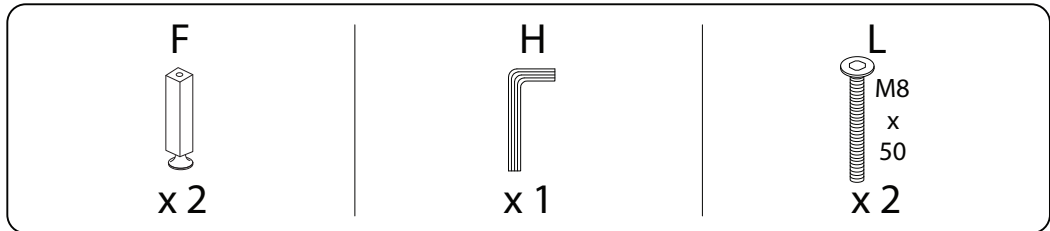
4



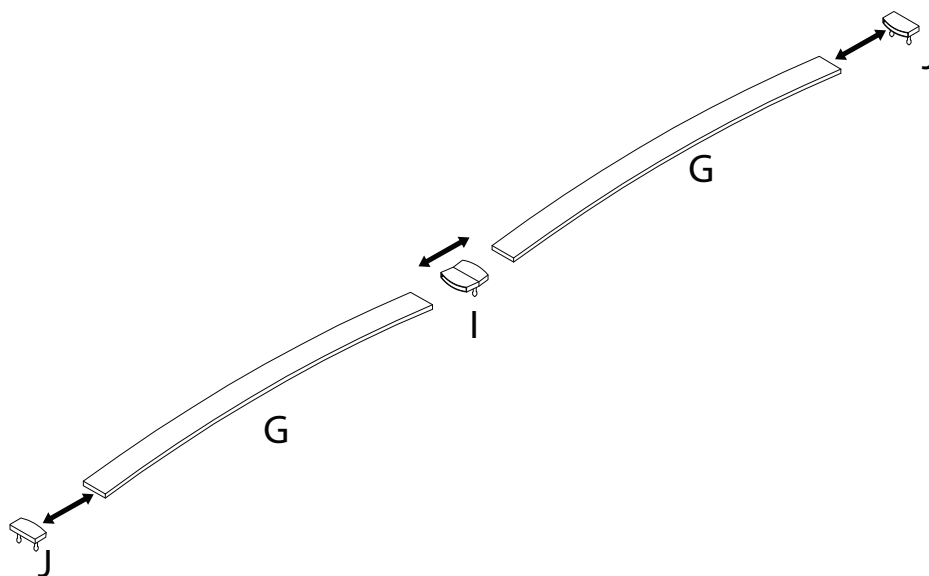
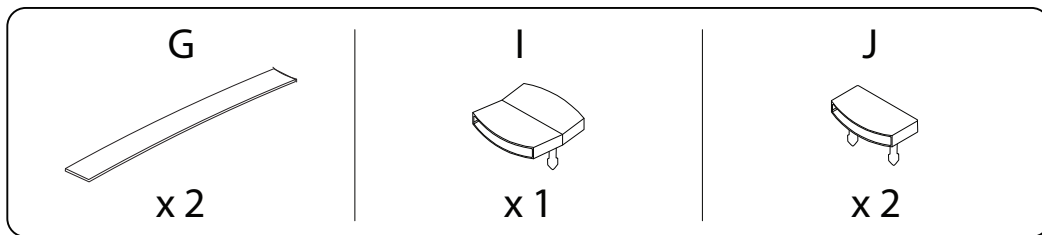
5



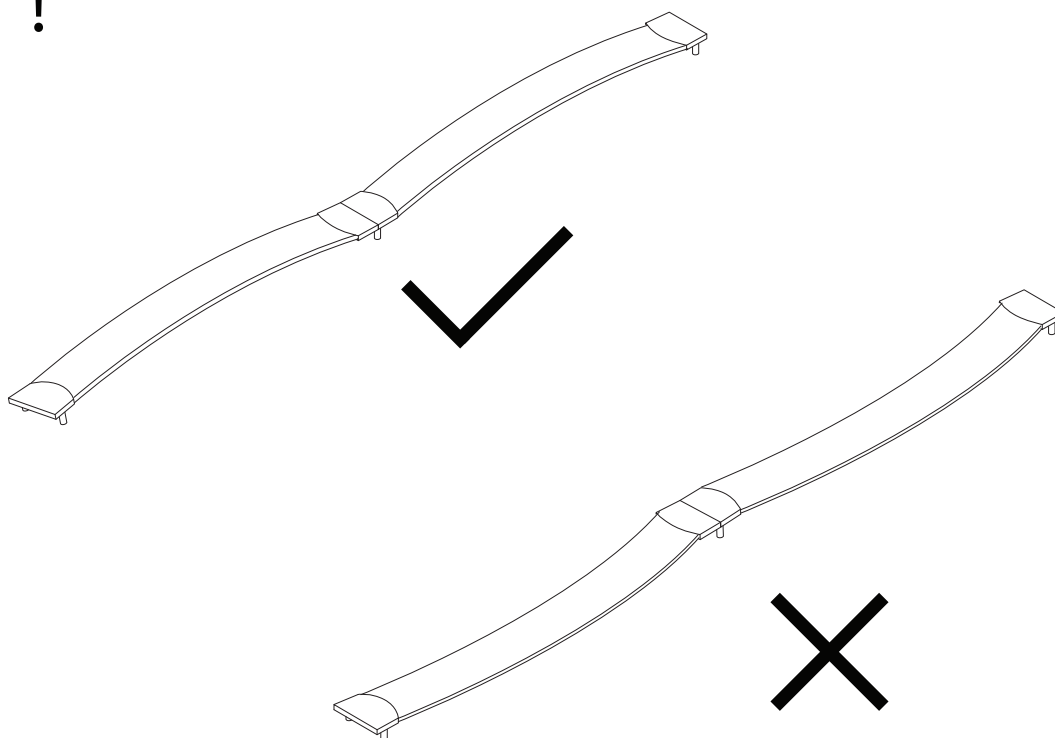
6



7 x 14



!





8

