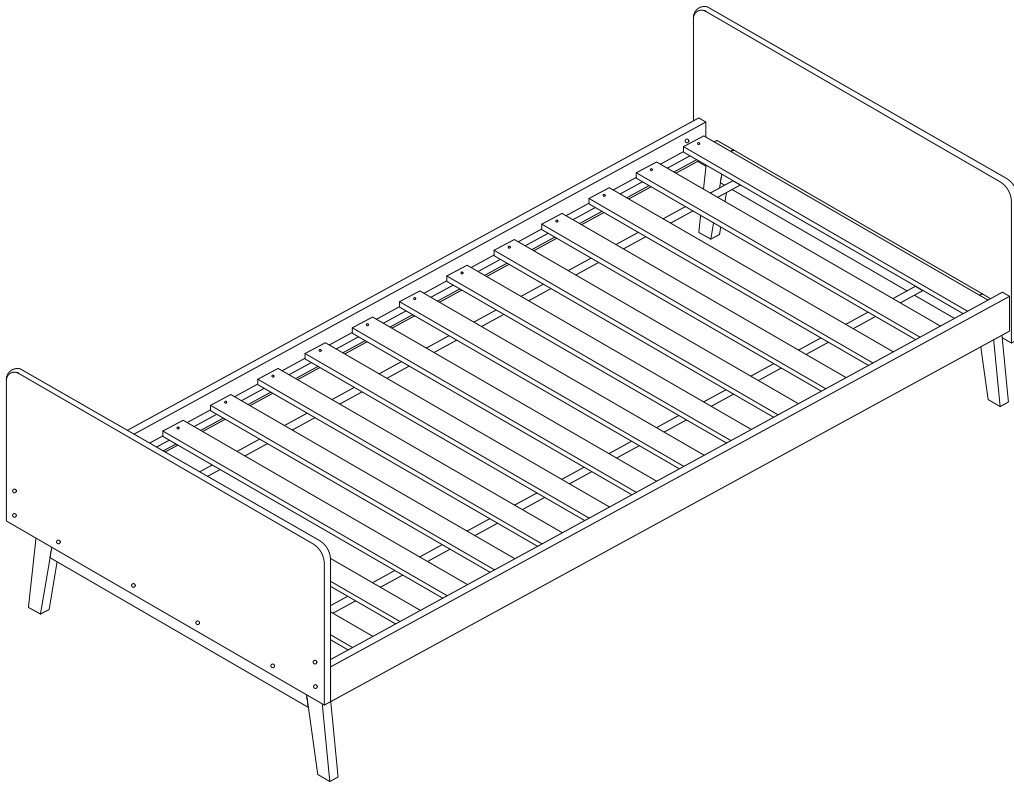
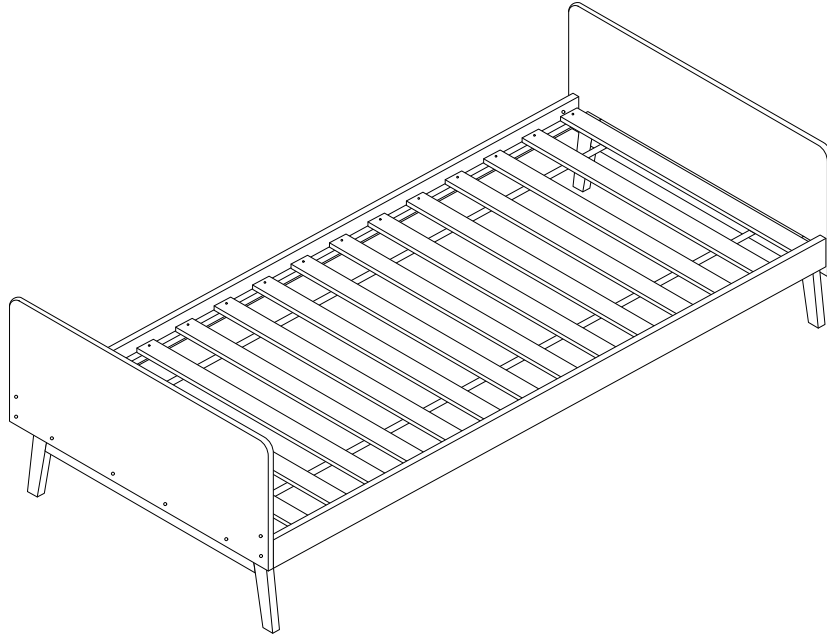
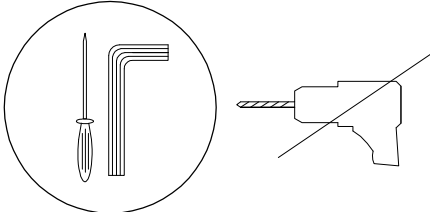

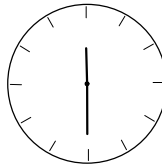
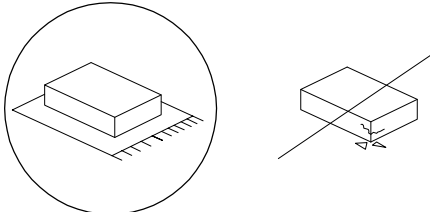




BONNAC

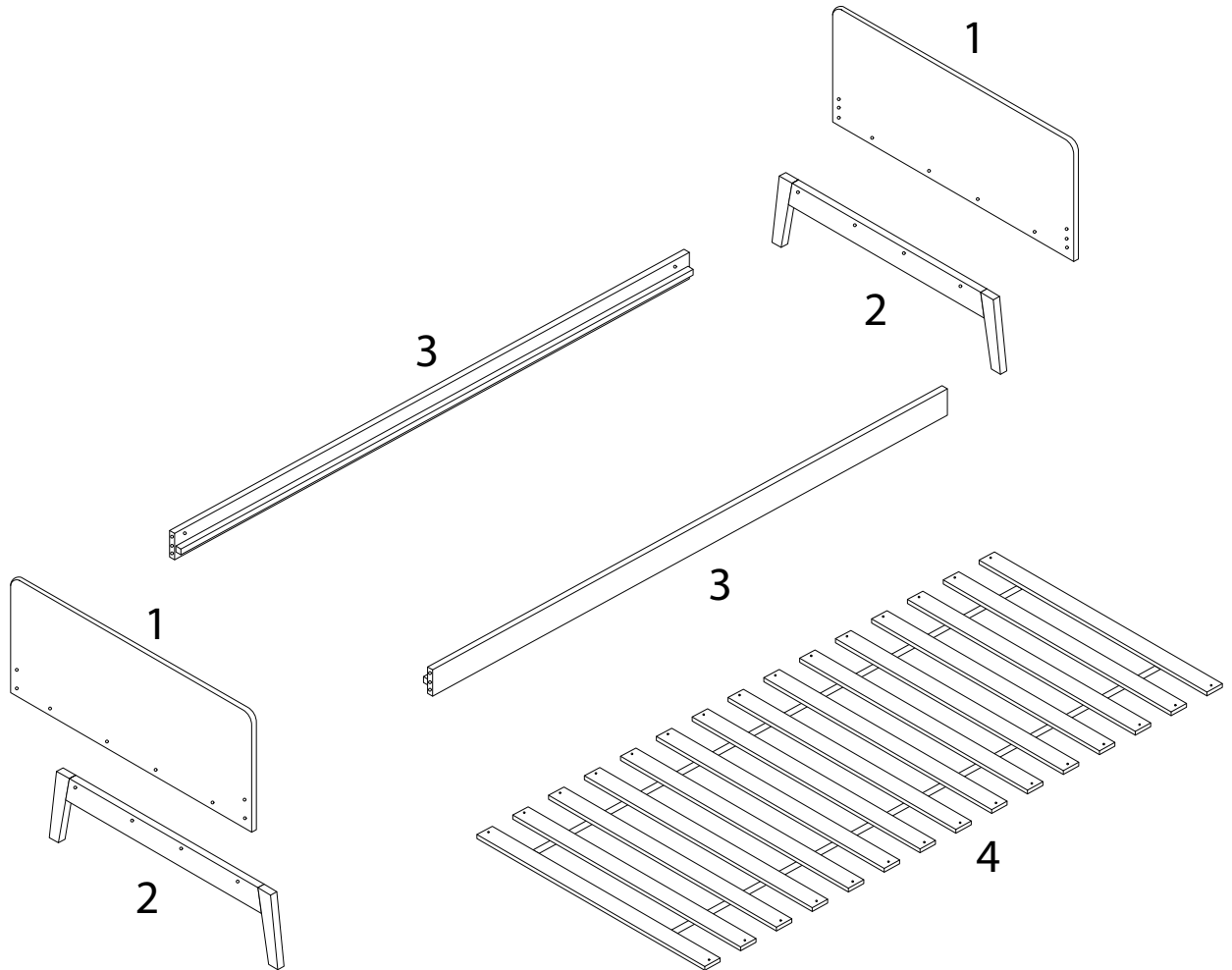


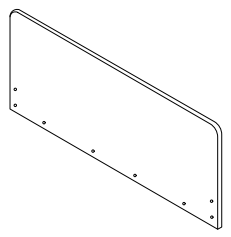
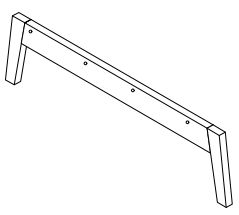
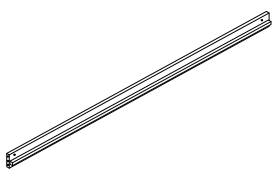
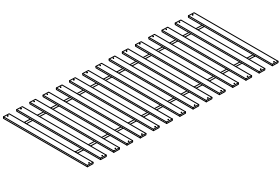


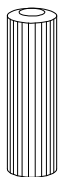
30'

2



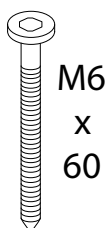
<p>1</p>  <p>x 2</p>	<p>2</p>  <p>x 2</p>	<p>3</p>  <p>x 2</p>	<p>4</p>  <p>x 1</p>
---	---	--	---

A



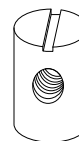
x 4

B



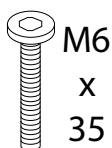
M6
x
60
x 8

C



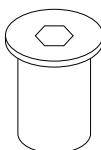
x 8

D



M6
x
35
x 8

E



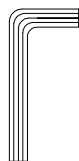
x 8

F



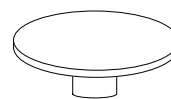
M4
x
25
x 30

G



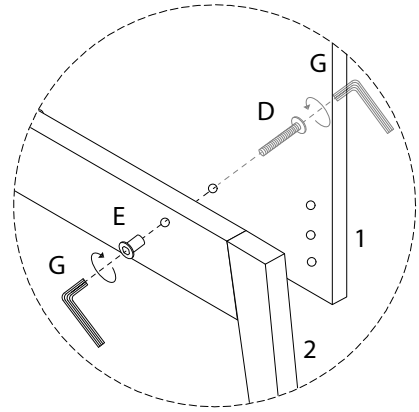
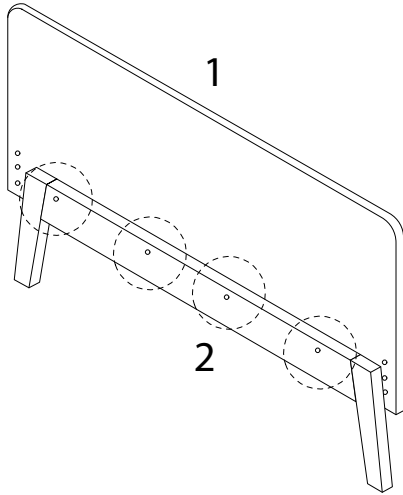
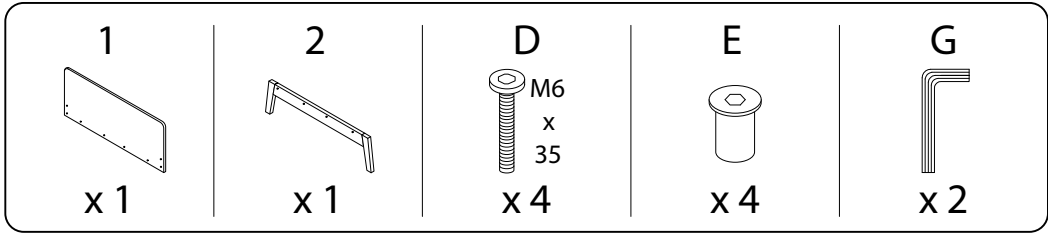
x 2

H

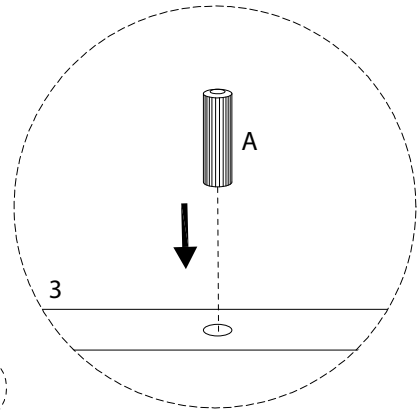
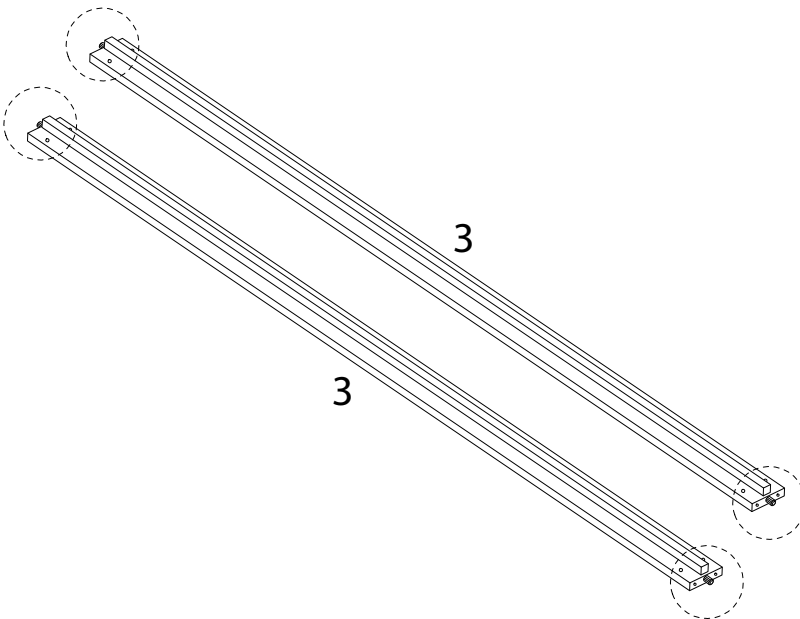
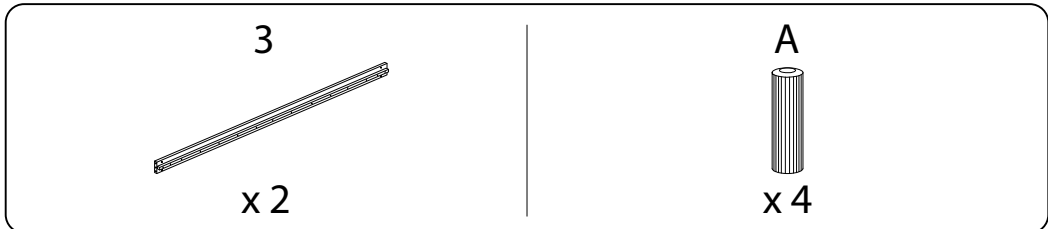


x 16

1 x 2



2

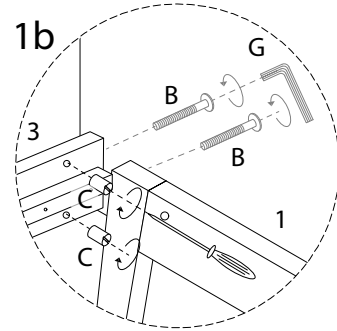
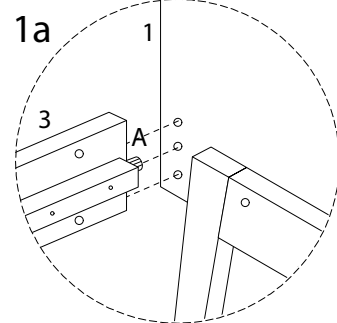
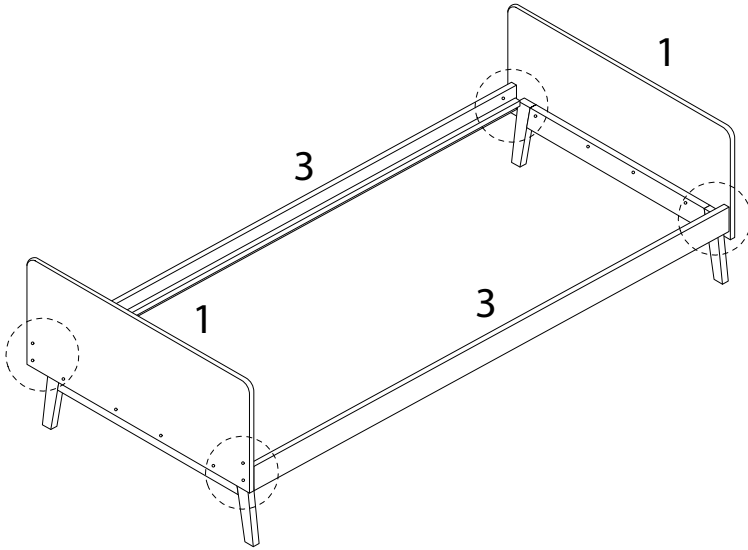


3

B
M6
x
60
x 8

C
x 8

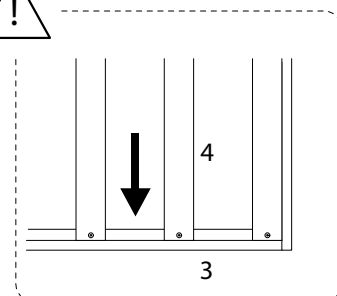
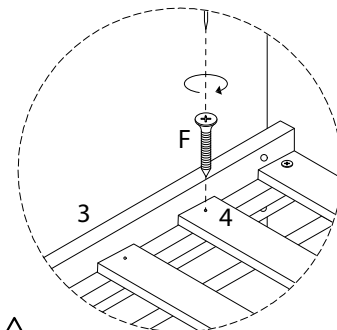
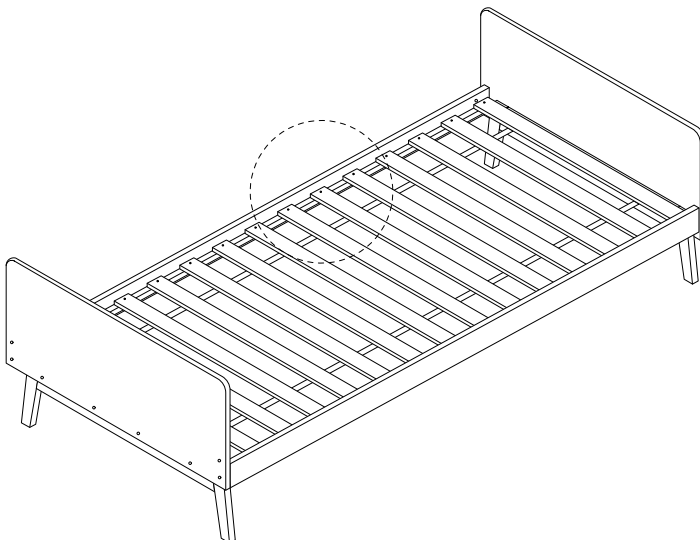
G
x 1



4

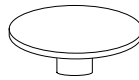
4
x 1

F
M4
x
25
x 30



5

H



x 16

