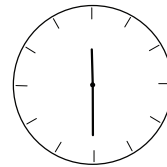
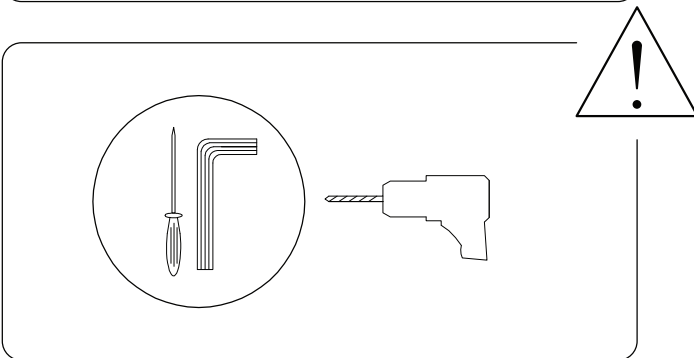
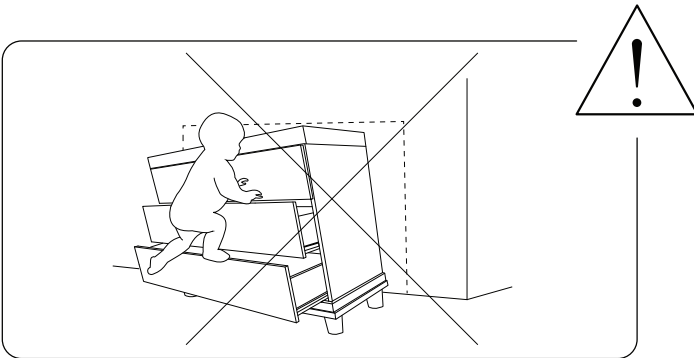
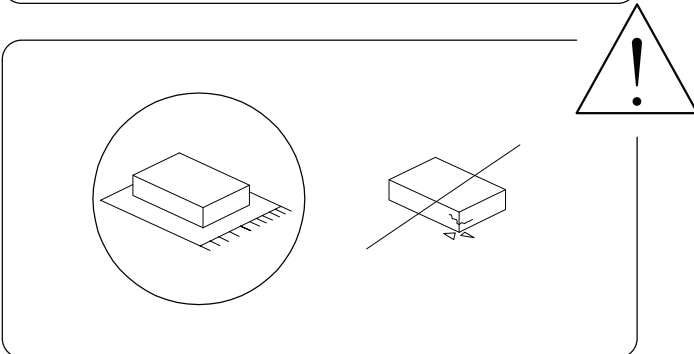


BRADLEY

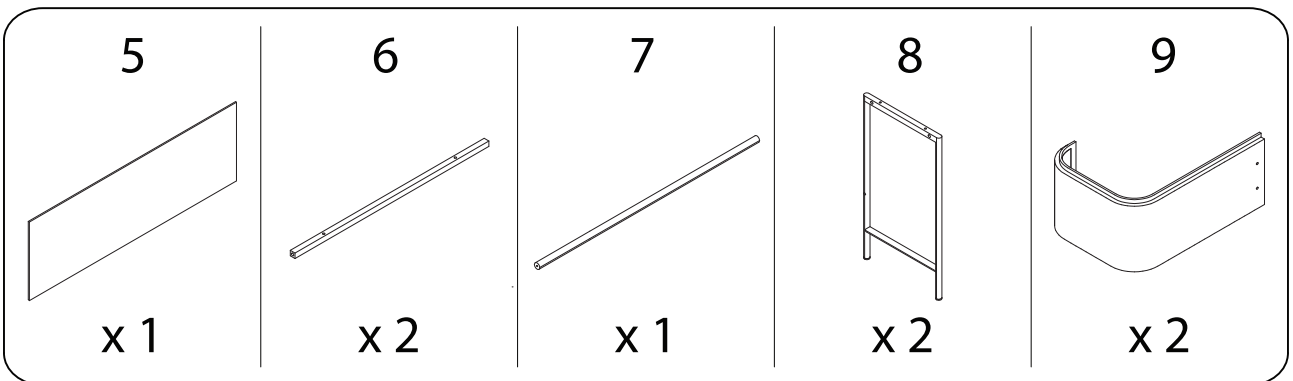
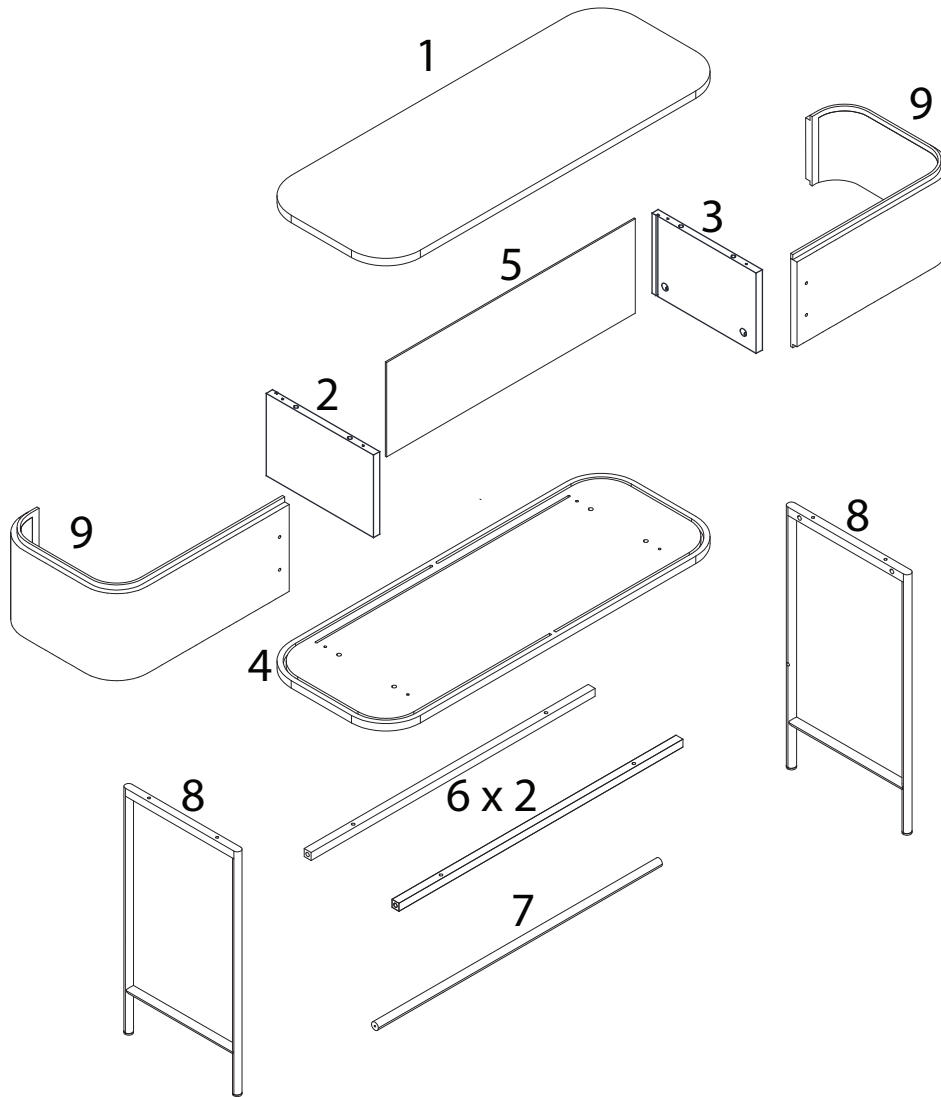
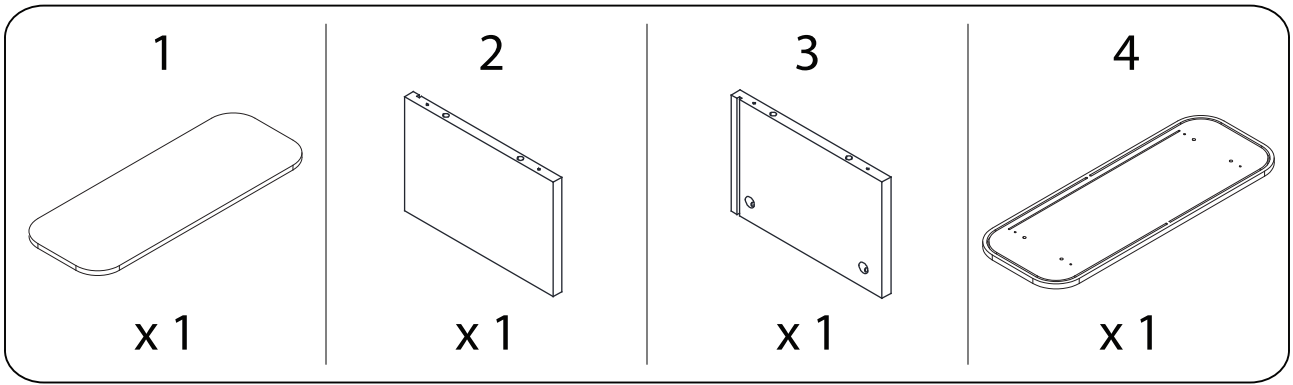




30'



1

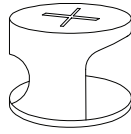


A



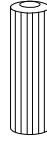
x 4

B



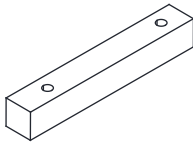
x 4

C



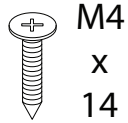
x 8

D



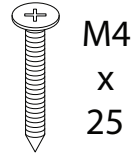
x 2

E



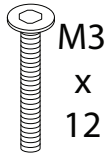
x 4

F



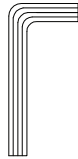
x 4

G



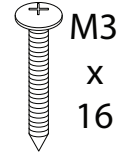
x 6

H



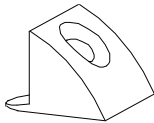
x 1

I



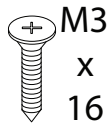
x 8

J



x 4

K



x 4

L1



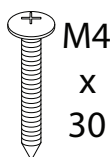
x 2

L2



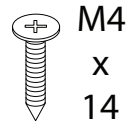
x 2

L3



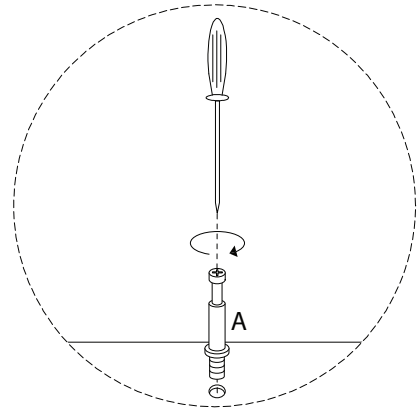
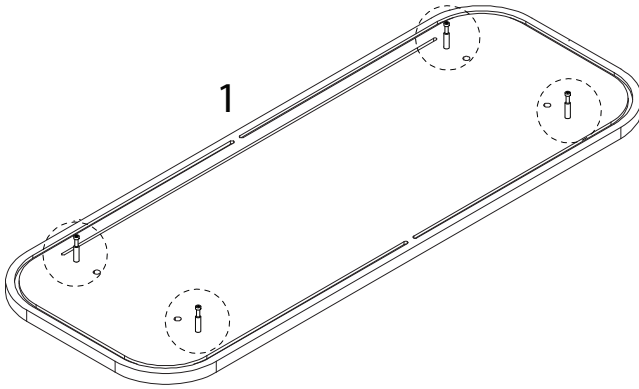
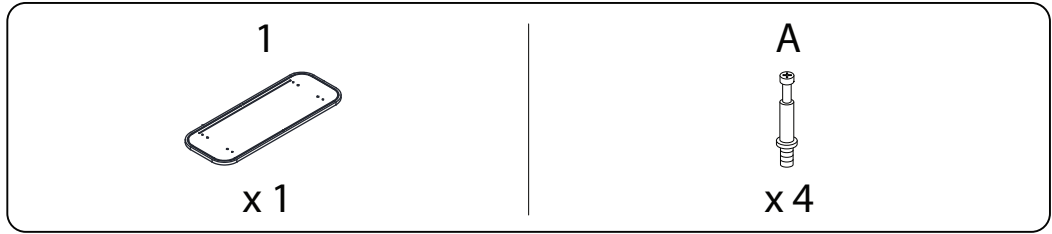
x 2

L4

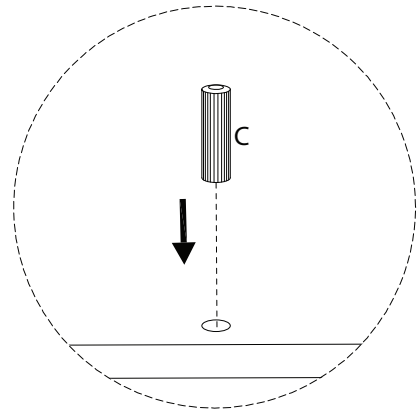
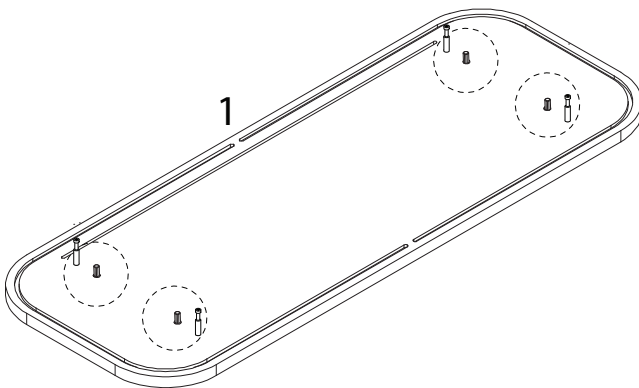
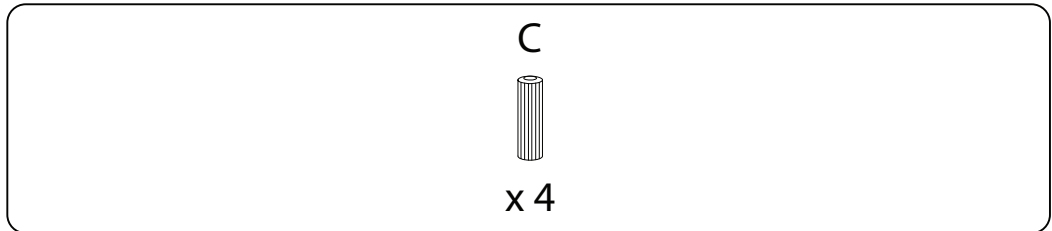


x 2

1

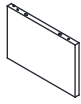


2



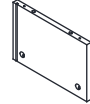
3

2

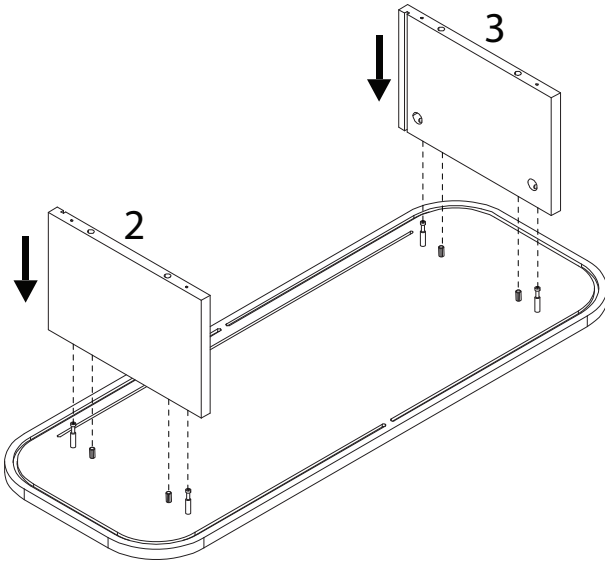


x 1

3



x 1

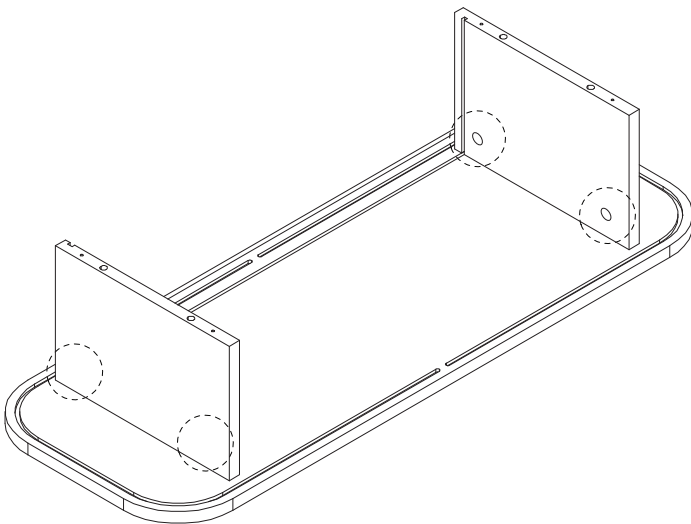


4

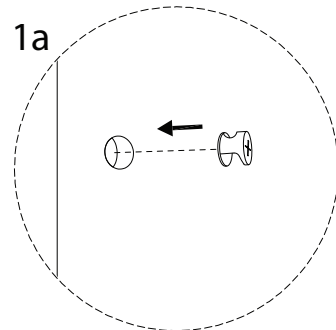
B



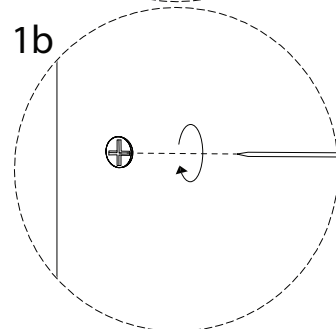
x 4



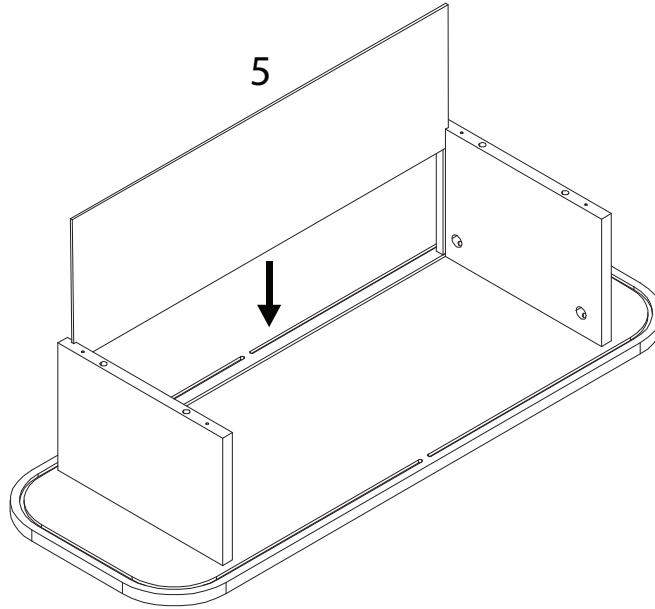
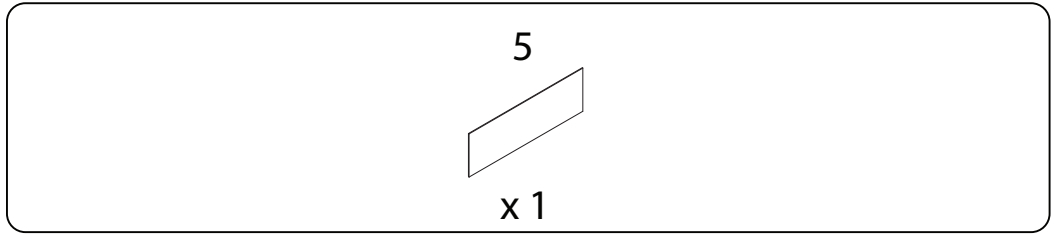
1a



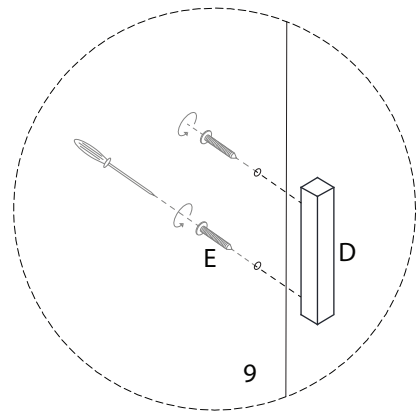
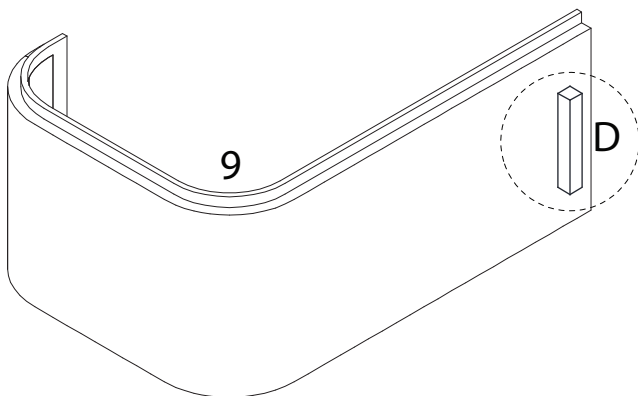
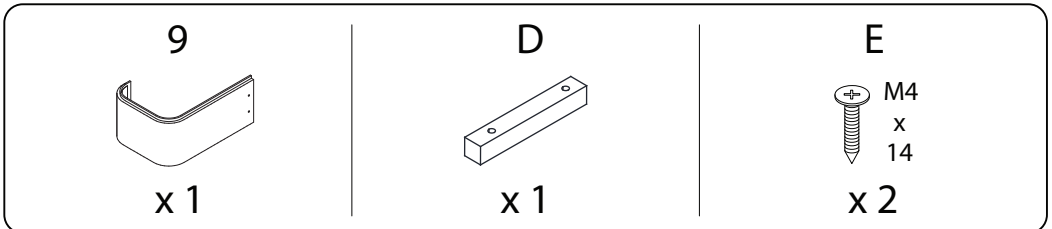
1b



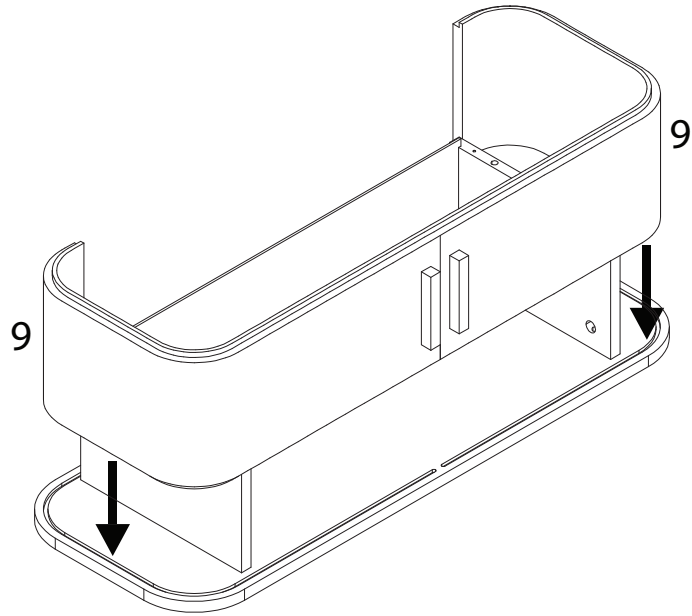
5



6 x 2



7

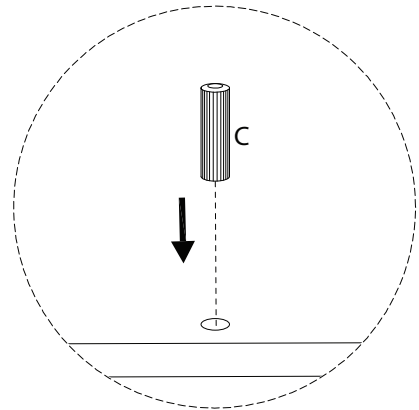
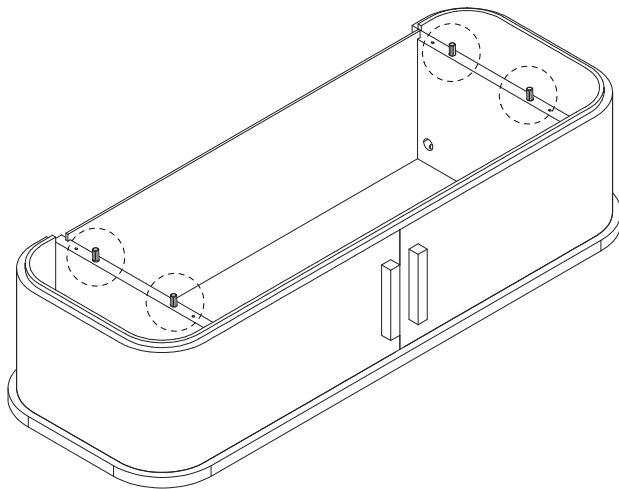


8

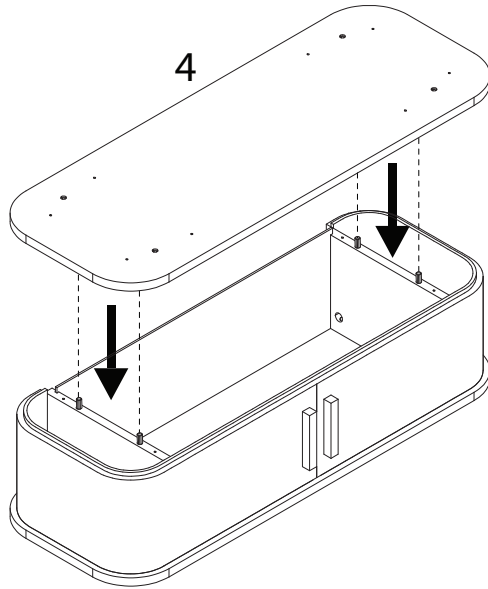
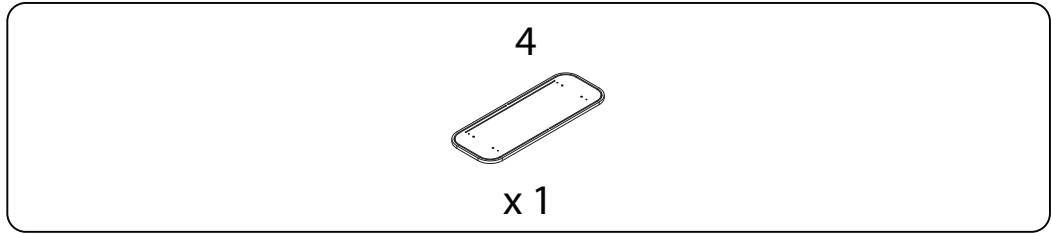
C



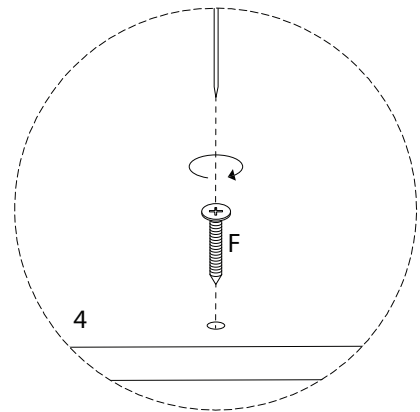
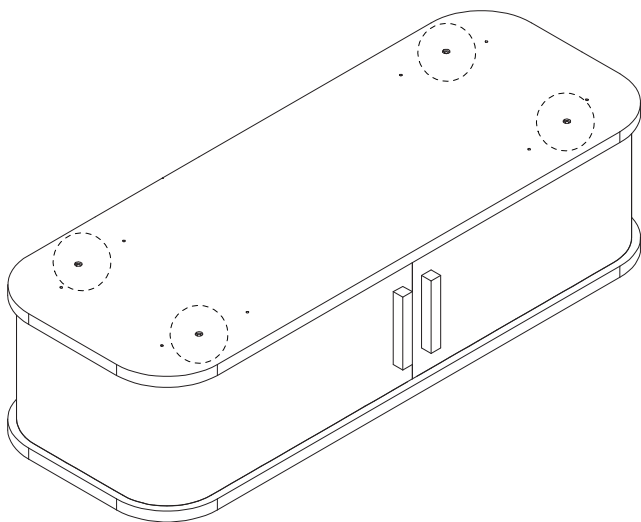
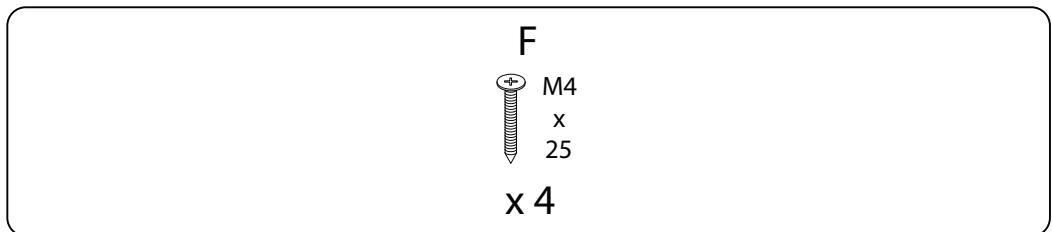
x 4



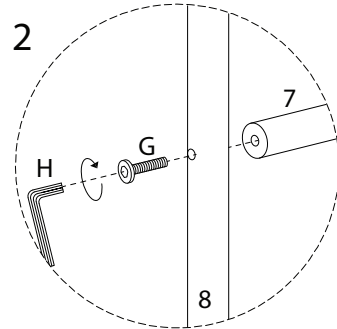
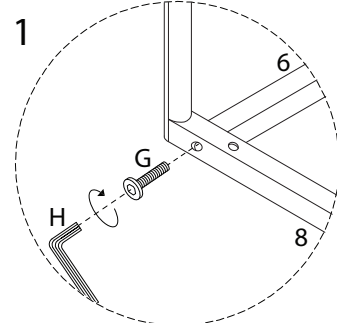
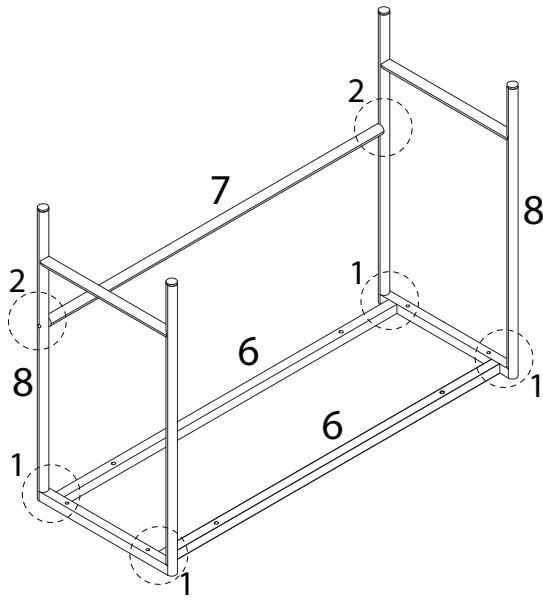
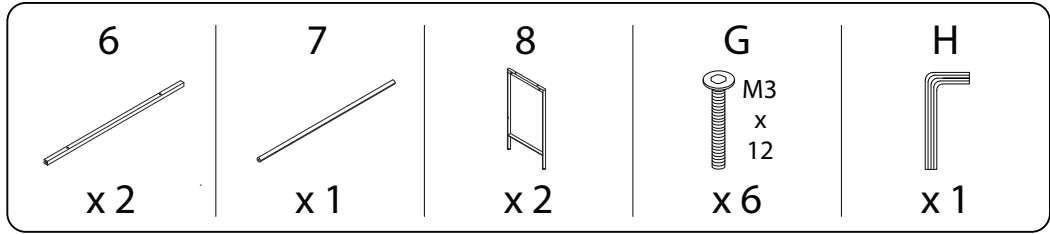
9



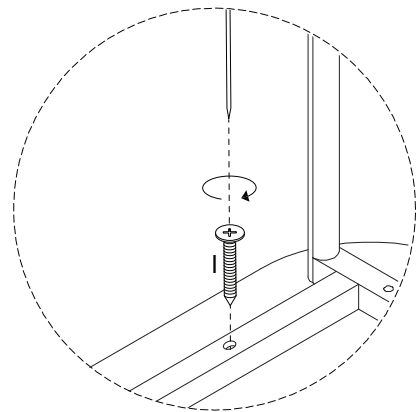
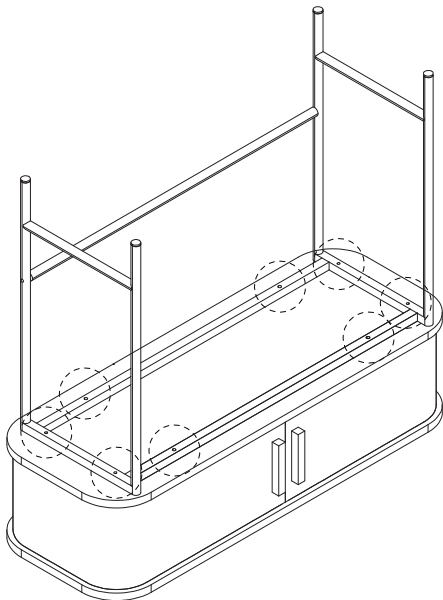
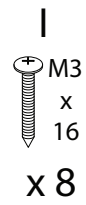
10



11

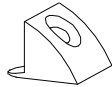


12



13

J

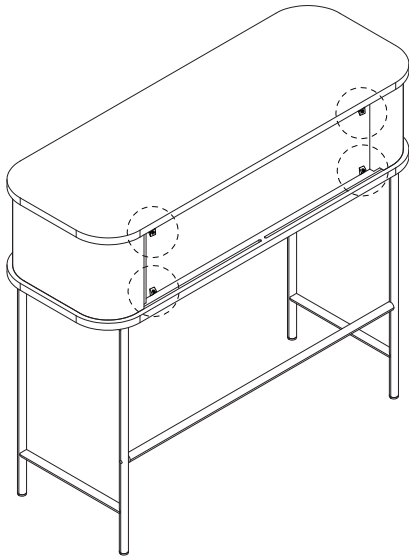


x 4

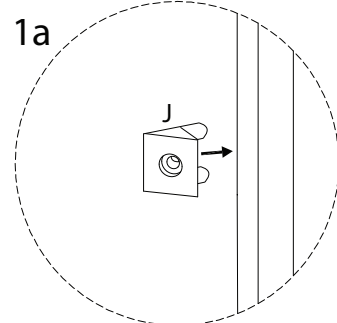
K



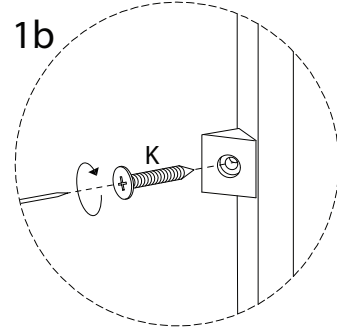
x 4



1a



1b



14

L1



x 2

L2



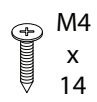
x 2

L3

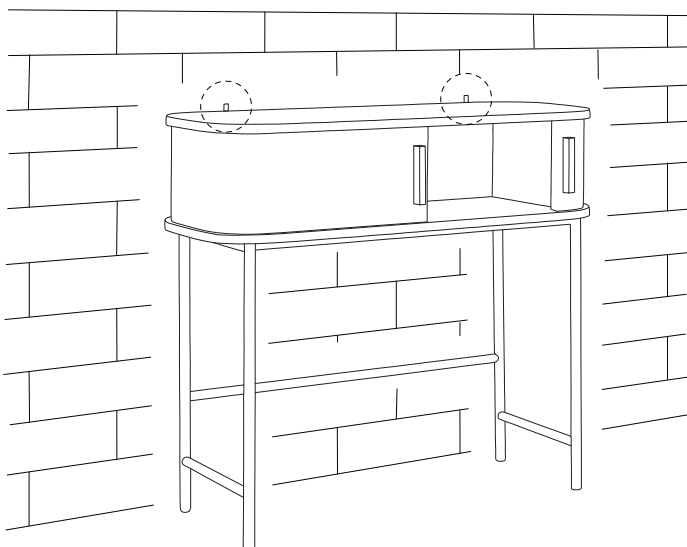


x 2

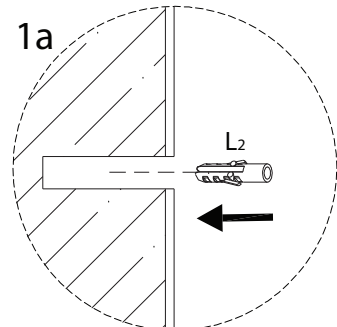
L4



x 2



1a



1b

