







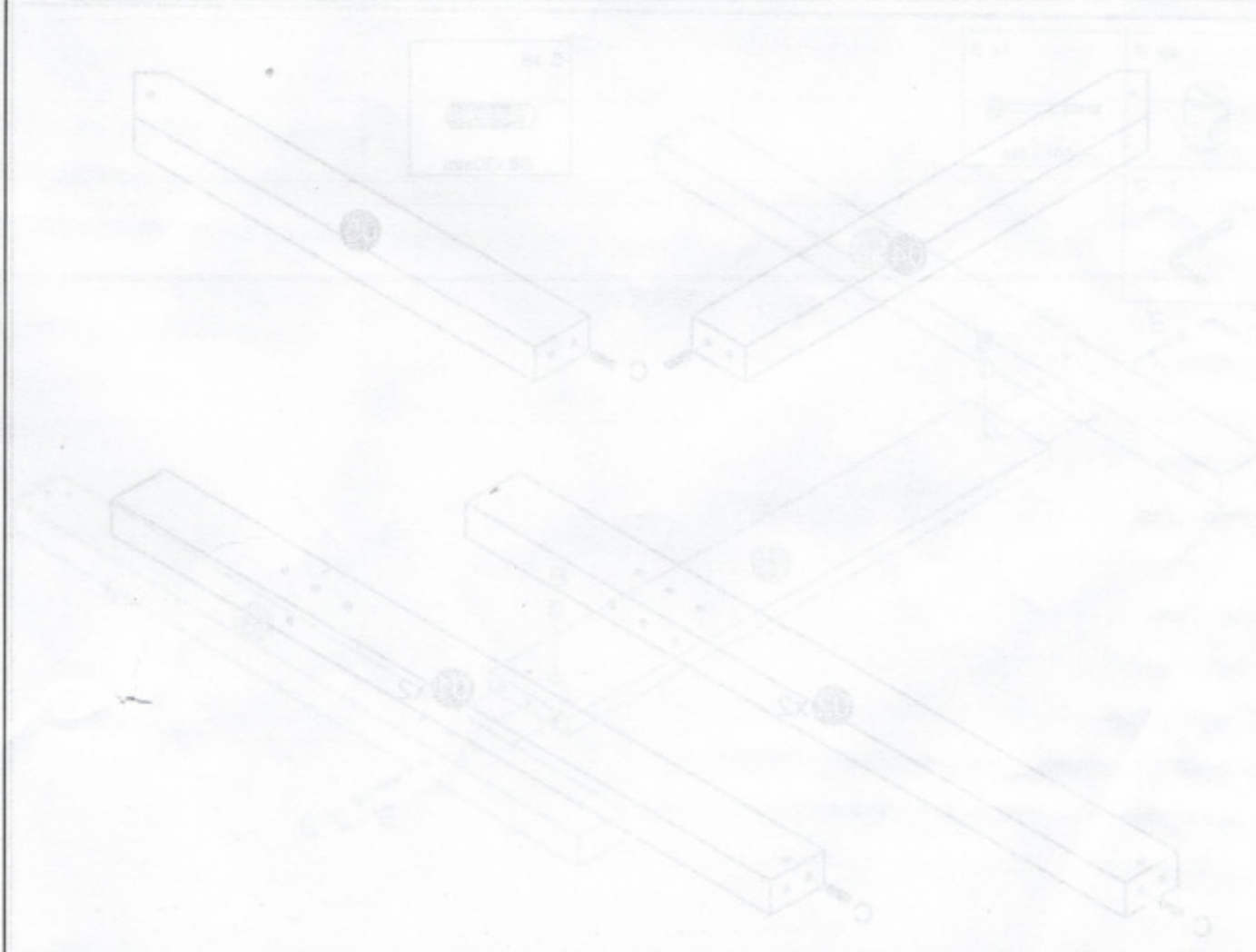

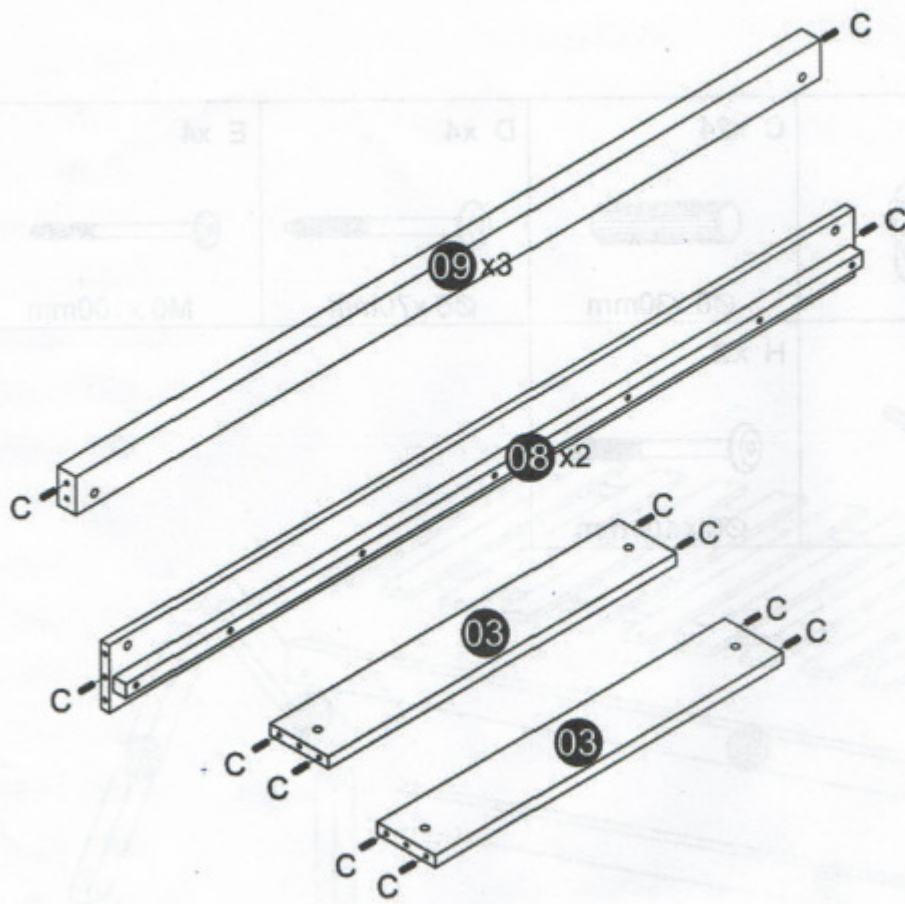





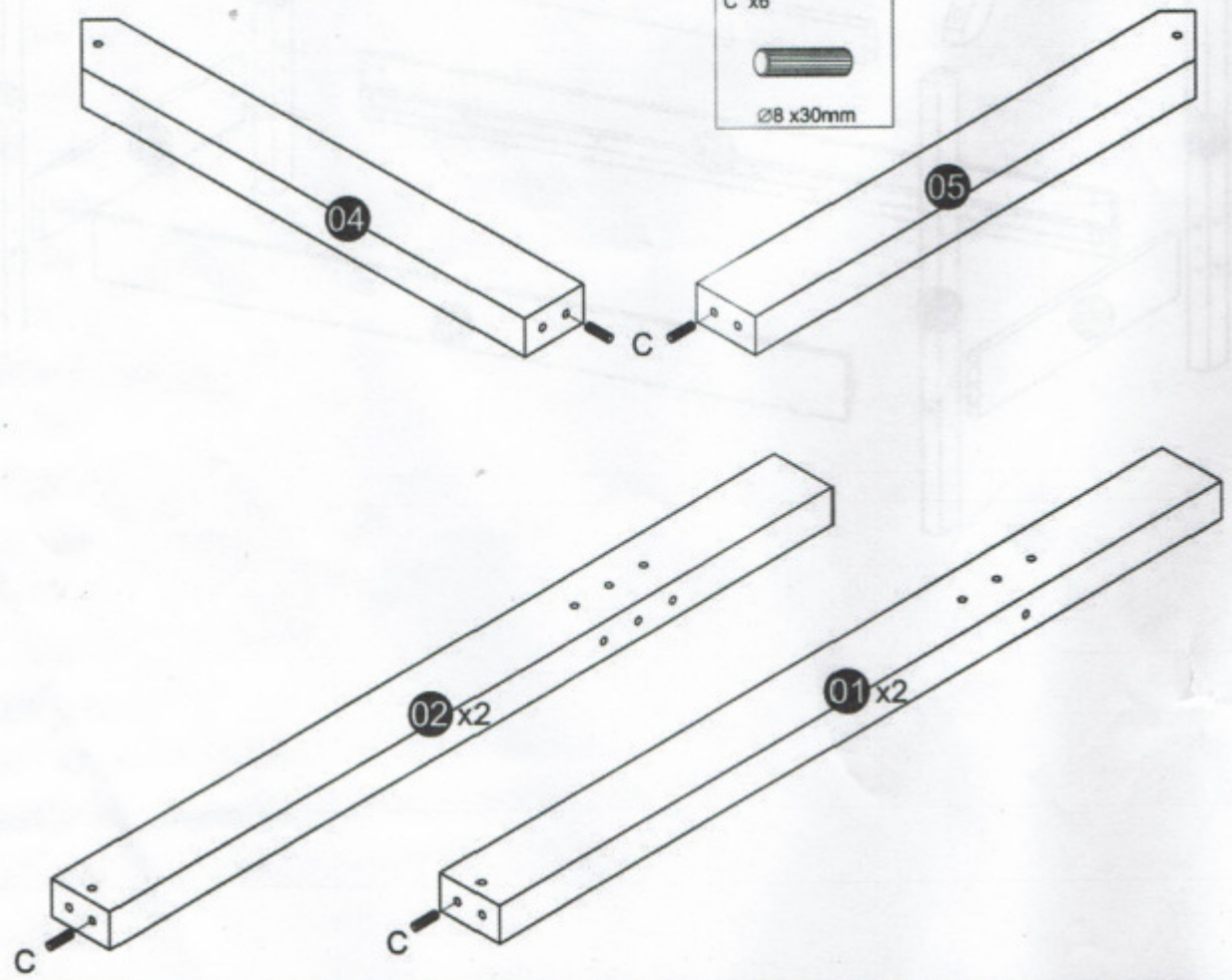
<p>A x14</p>  <p>M6 x80mm</p>	<p>B x18</p> 	<p>C x24</p>  <p>Ø8 x30mm</p>	<p>D x4</p>  <p>Ø6 x70mm</p>	<p>E x4</p>  <p>M6 x100mm</p>
<p>F x20</p>  <p>Ø4 x30mm</p>	<p>G x1</p> 	<p>H x2</p>  <p>Ø6 x 100mm</p>		



C x18  
  
Ø8 x30mm



C x6  
  
Ø8 x30mm





G x1

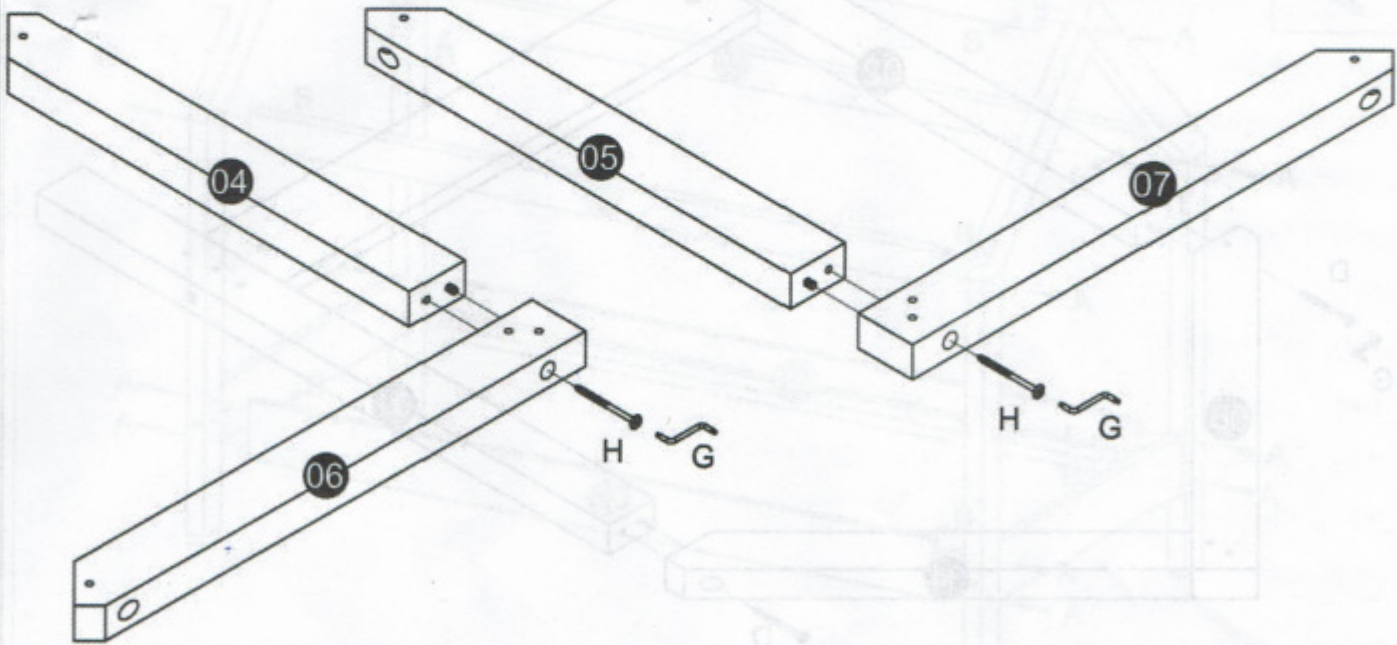


Hx2



∅6 x100mm

ee



E x4



M6 x100mm

B x4



G x1

