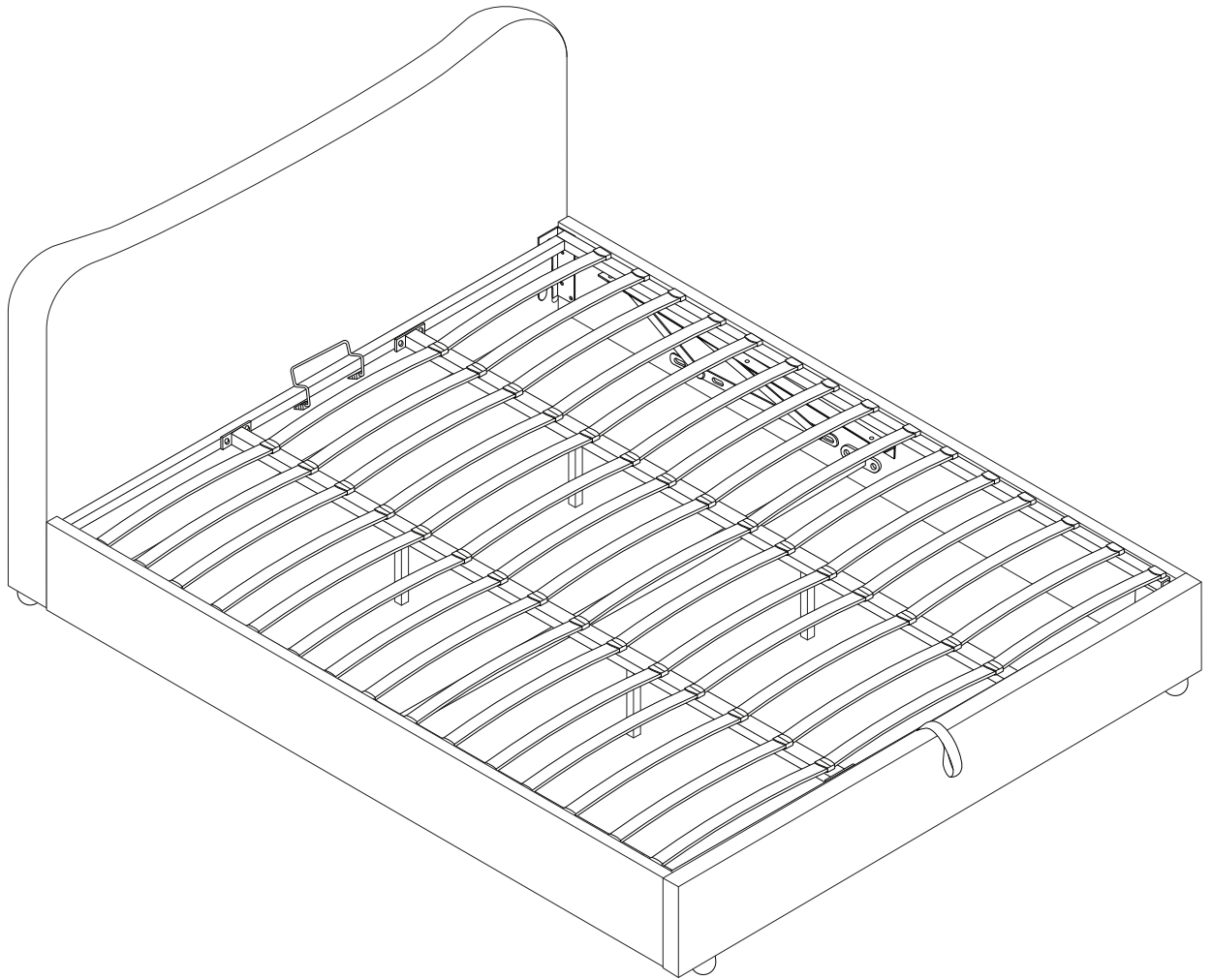
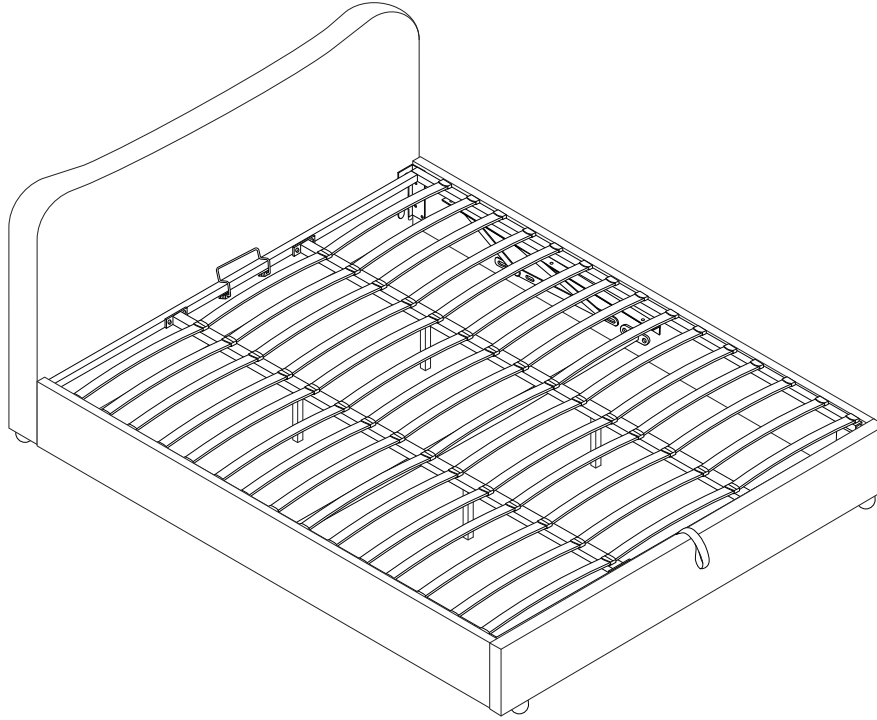
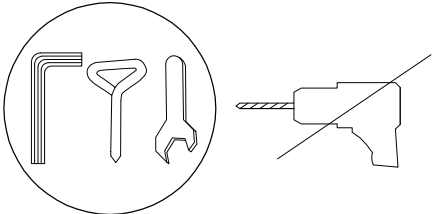

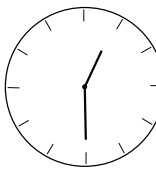
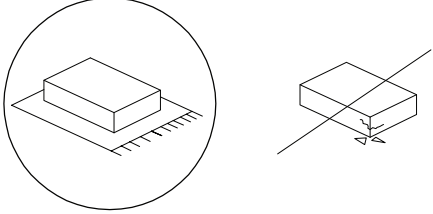

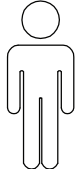
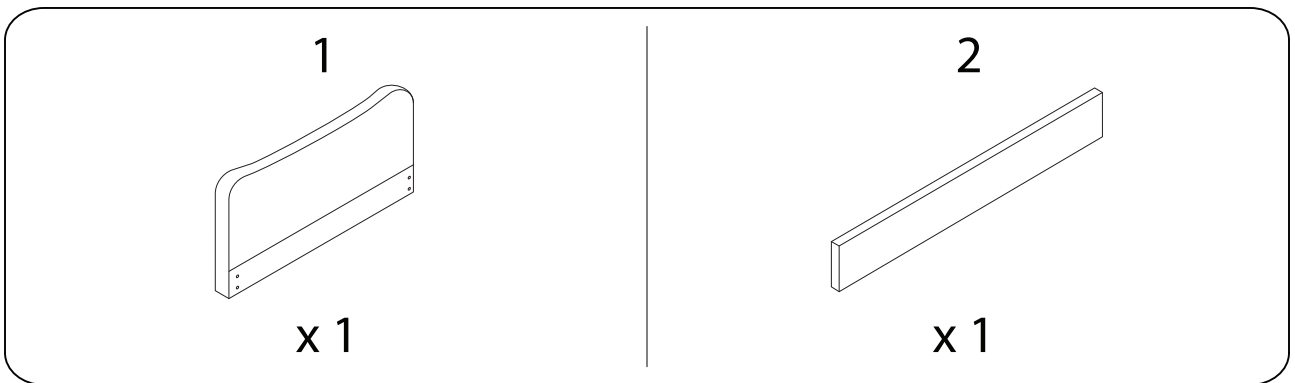
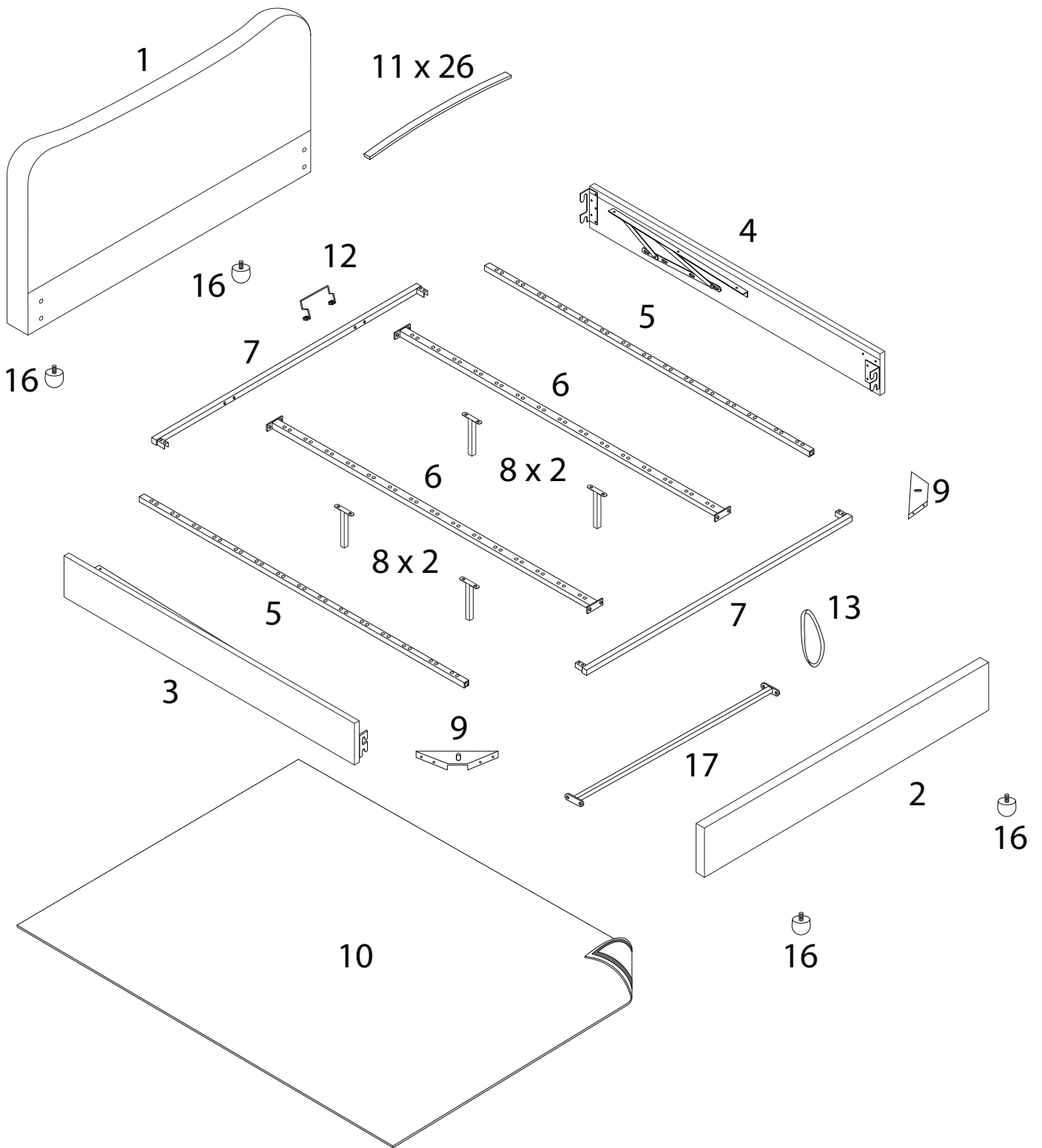


BLAGNAC

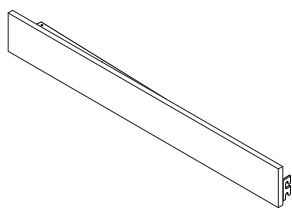




		
		
		2

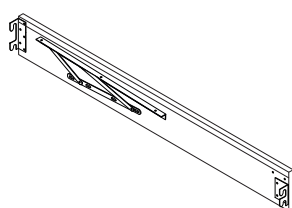


3



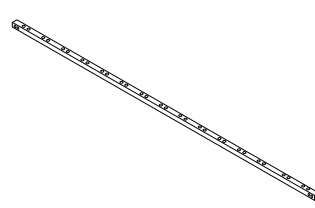
x 1

4



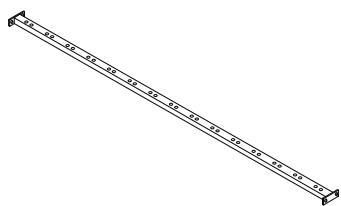
x 1

5



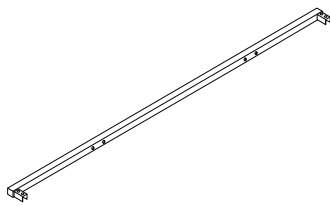
x 2

6



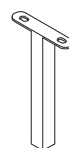
x 2

7



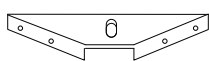
x 2

8



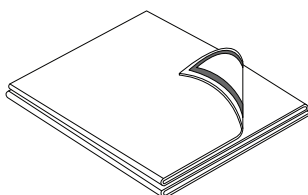
x 4

9



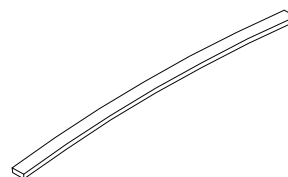
x 2

10



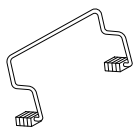
x 1

11



x 39

12



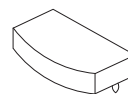
x 1

13



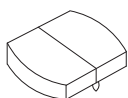
x 1

14



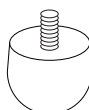
x 26

15



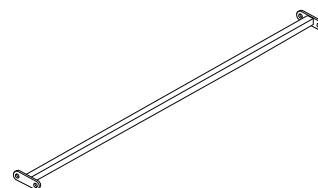
x 26

16

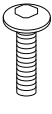
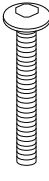
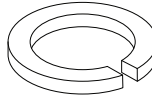
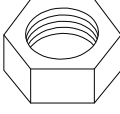
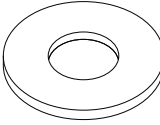
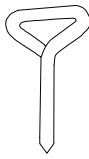

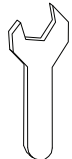


x 4

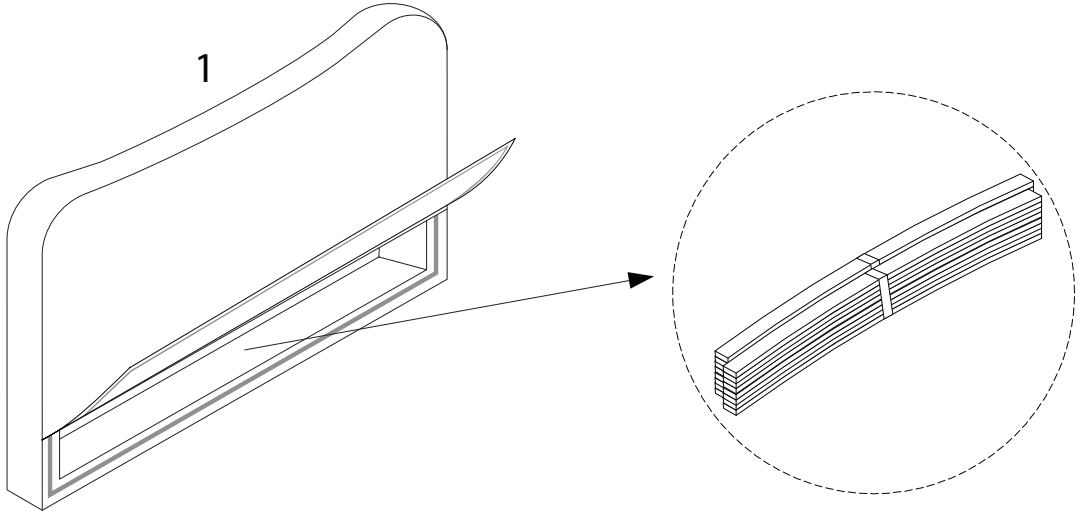
17



x 1

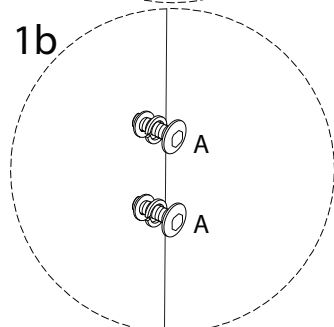
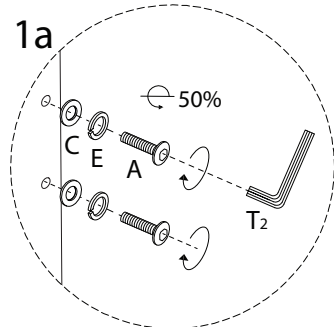
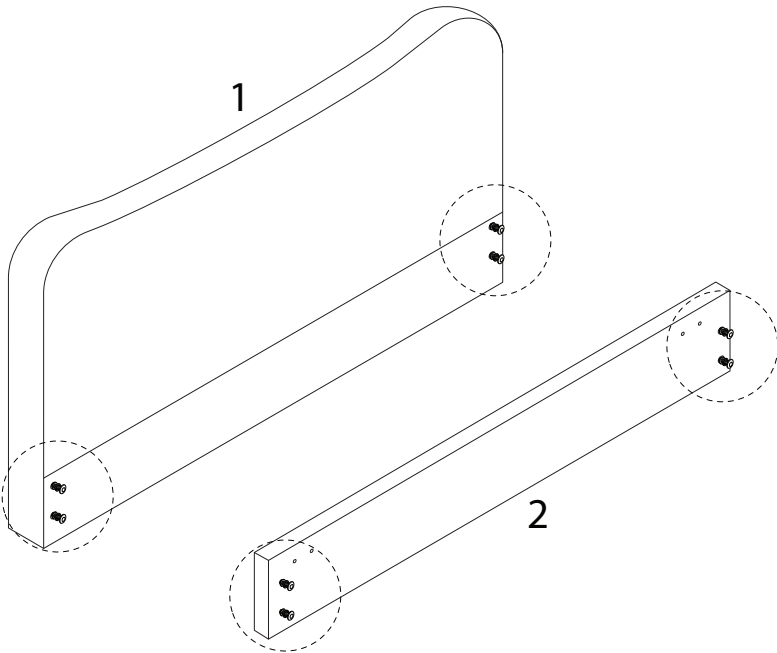
<p style="text-align: center;">A</p>  <p style="text-align: center;">M8 x 20</p> <p style="text-align: center;">x 28</p>	<p style="text-align: center;">B</p>  <p style="text-align: center;">M8 x 45</p> <p style="text-align: center;">x 22</p>	<p style="text-align: center;">C</p>  <p style="text-align: center;">x 8</p>	<p style="text-align: center;">D</p>  <p style="text-align: center;">x 22</p>
<p style="text-align: center;">E</p>  <p style="text-align: center;">x 30</p>	<p style="text-align: center;">T₁</p>  <p style="text-align: center;">x 1</p>	<p style="text-align: center;">T₂</p>  <p style="text-align: center;">x 1</p>	<p style="text-align: center;">T₃</p>  <p style="text-align: center;">x 1</p>

!

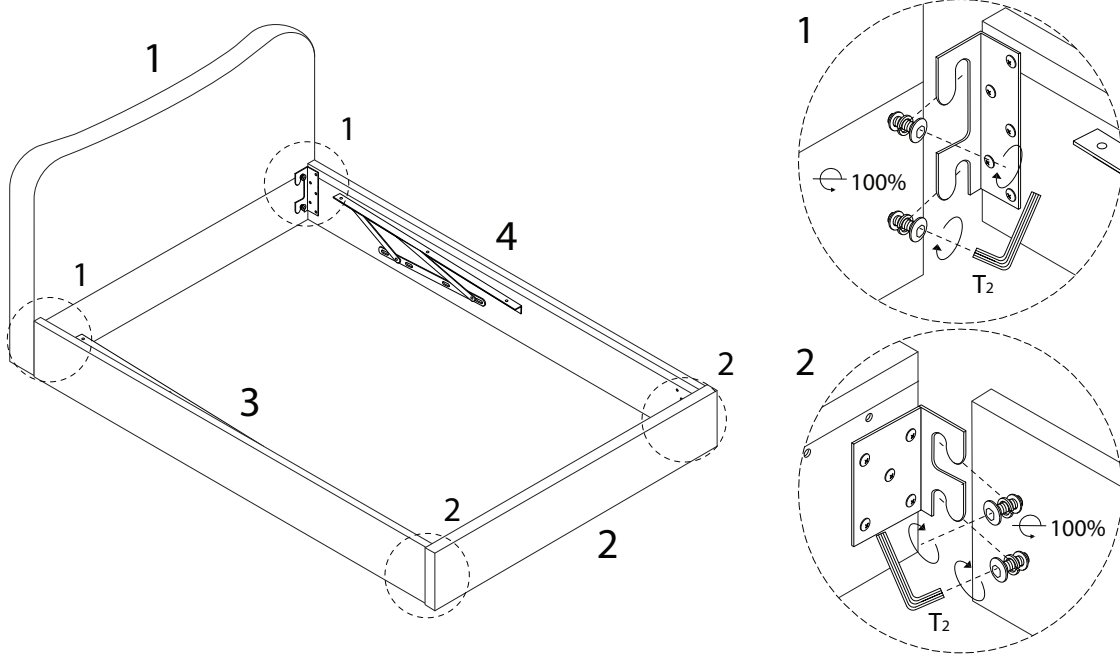
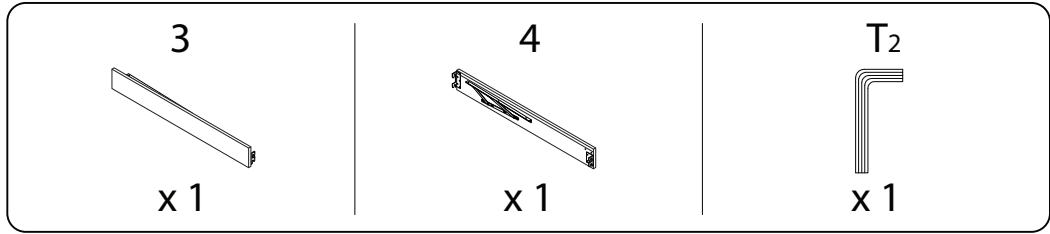


1

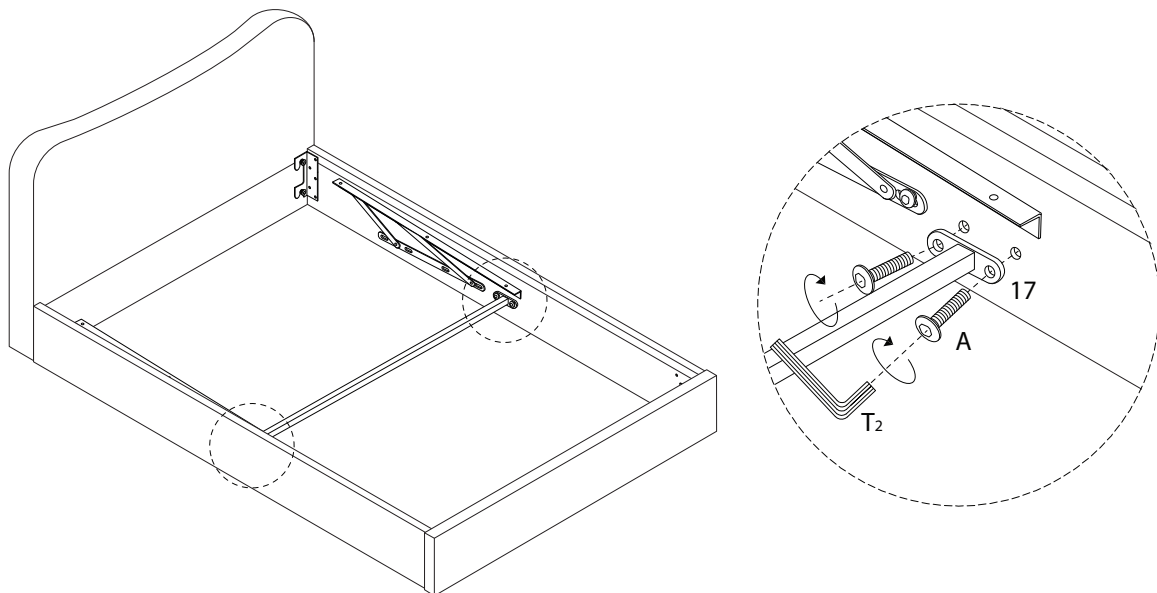
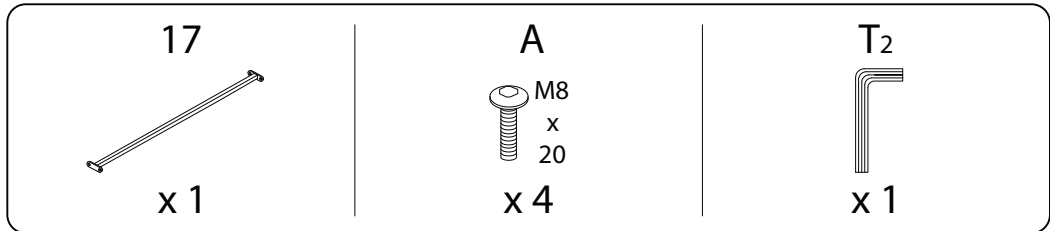
1 x 1	2 x 1	A M8 x 20 x 8	C x 8	E x 8	T₂ x 1
---------------------	---------------------	--------------------------------------	---------------------	---------------------	---------------------------------



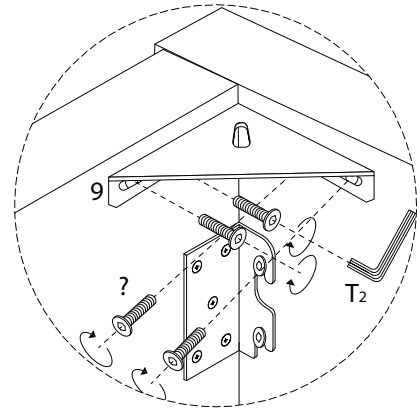
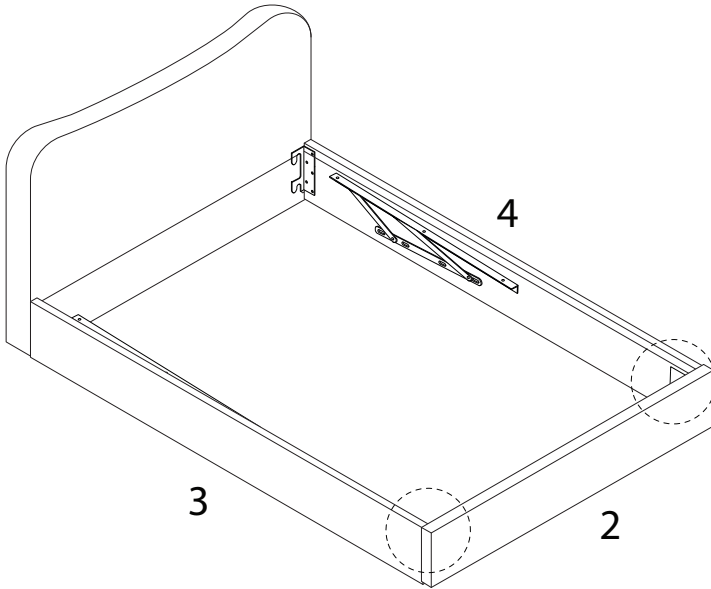
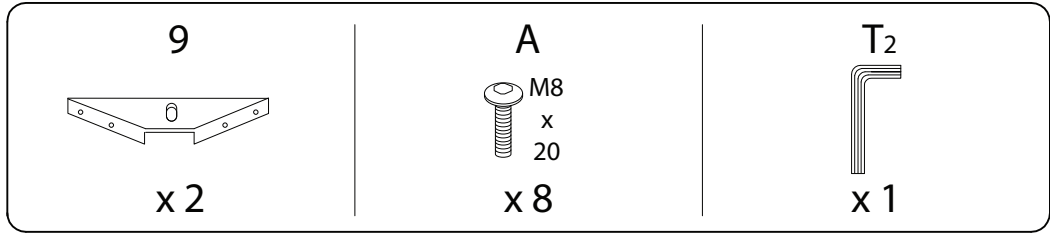
2



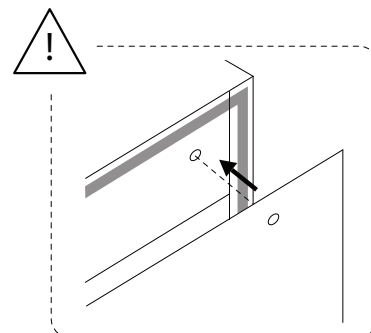
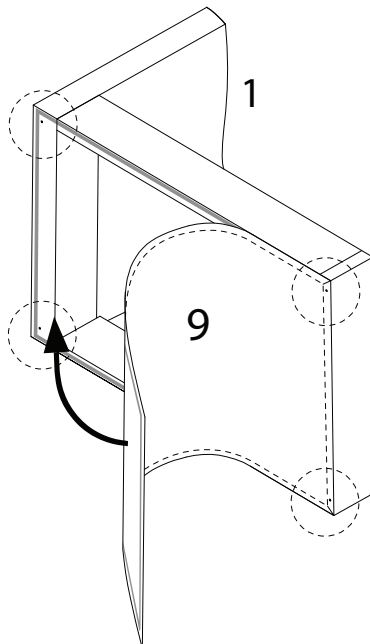
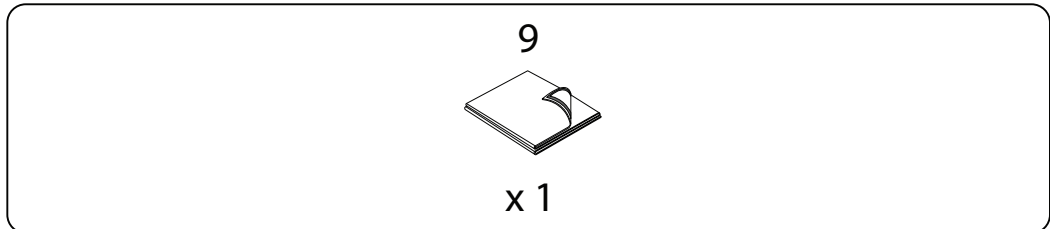
3



4



5

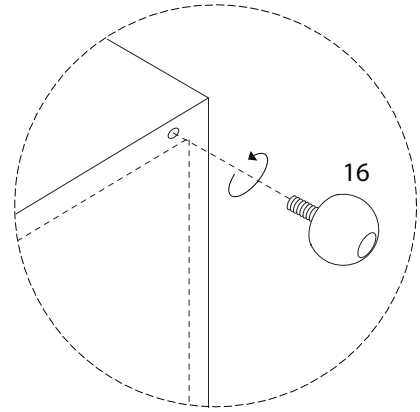
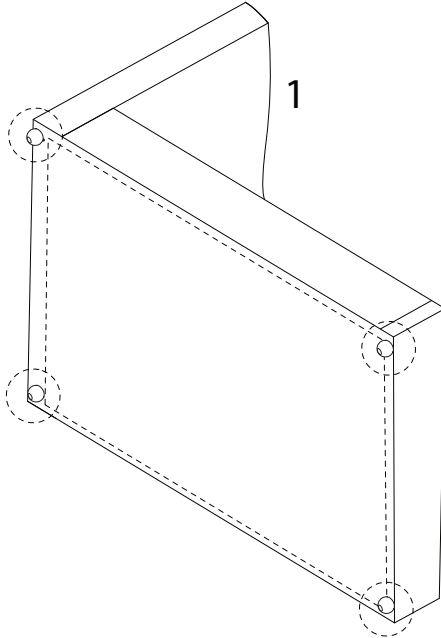


6

16

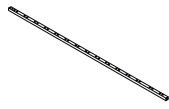


x 4



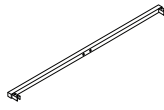
7

5



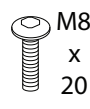
x 2

7



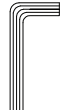
x 2

A

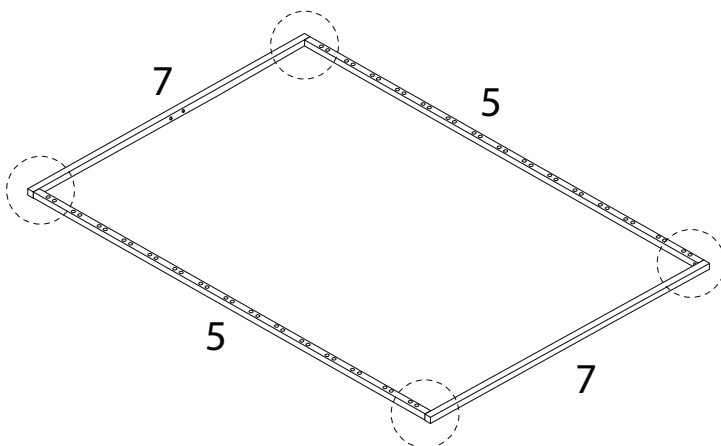


x 8

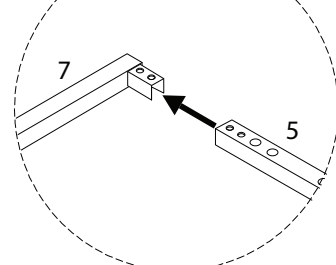
T₂



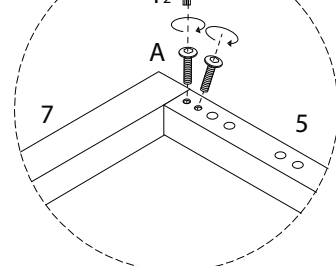
x 1





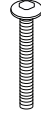
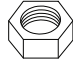

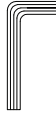

1a

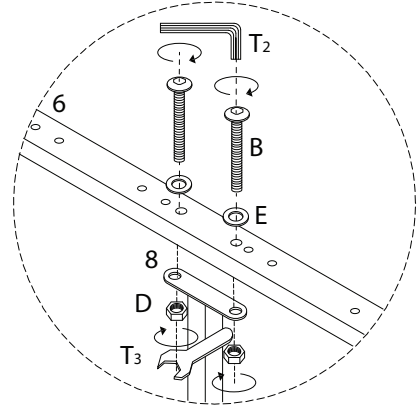
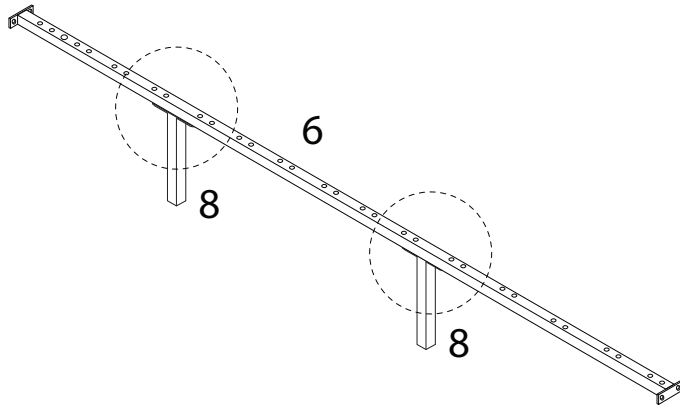


1b

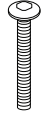
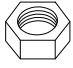

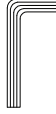



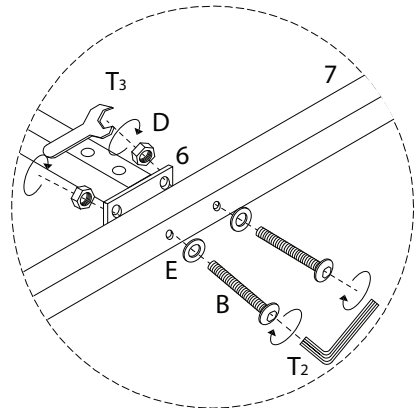
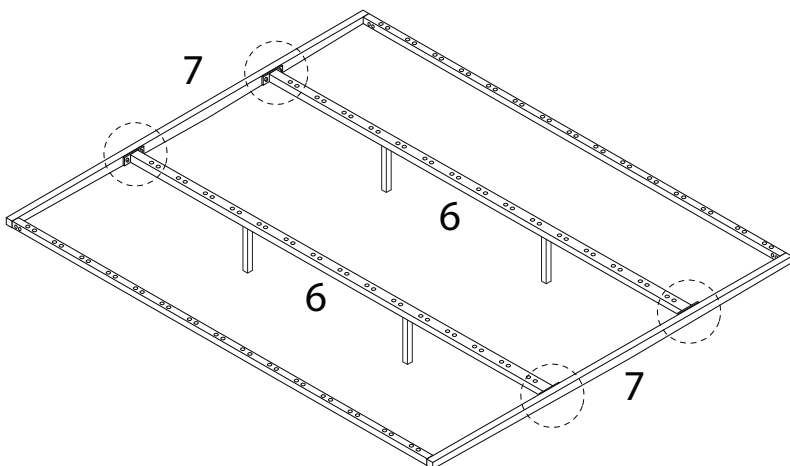
8 x 2

6  x 1	8  x 2	B M8 x 45  x 4	D  x 4	E  x 4	T ₂  x 1	T ₃  x 1
---	---	--	---	--	--	--



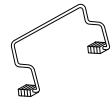
9

B M8 x 45  x 8	D  x 8	E  x 8	T ₂  x 1	T ₃  x 1
--	---	---	--	--

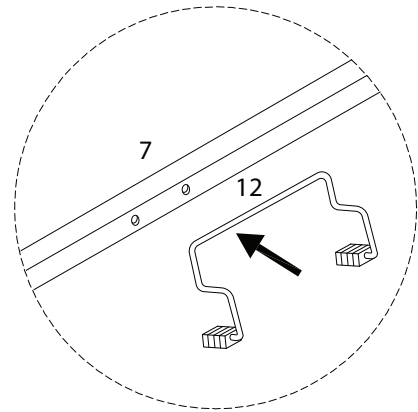
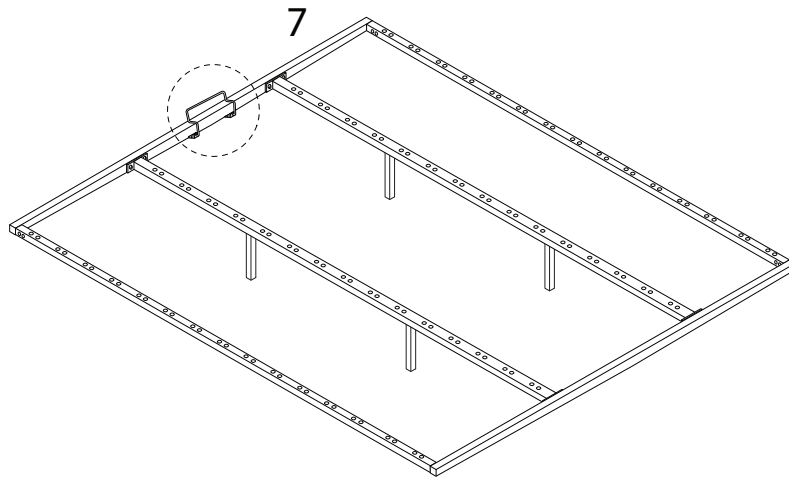


10

12



x 1

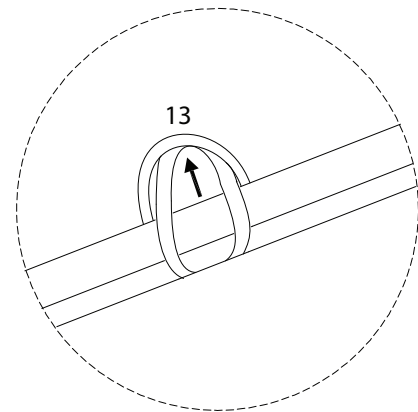
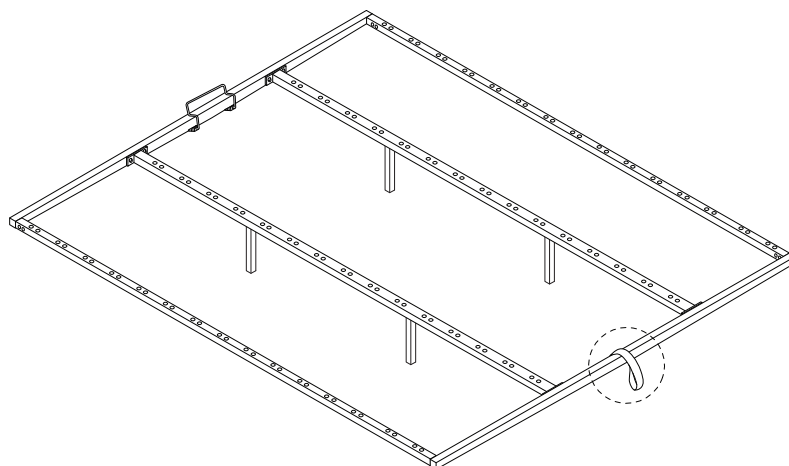


11

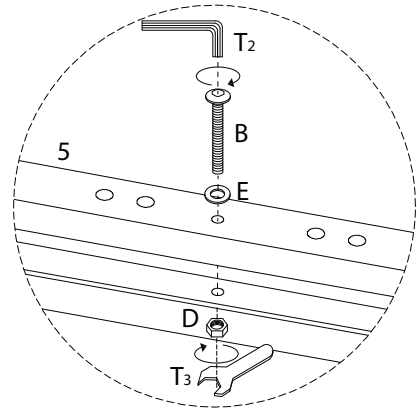
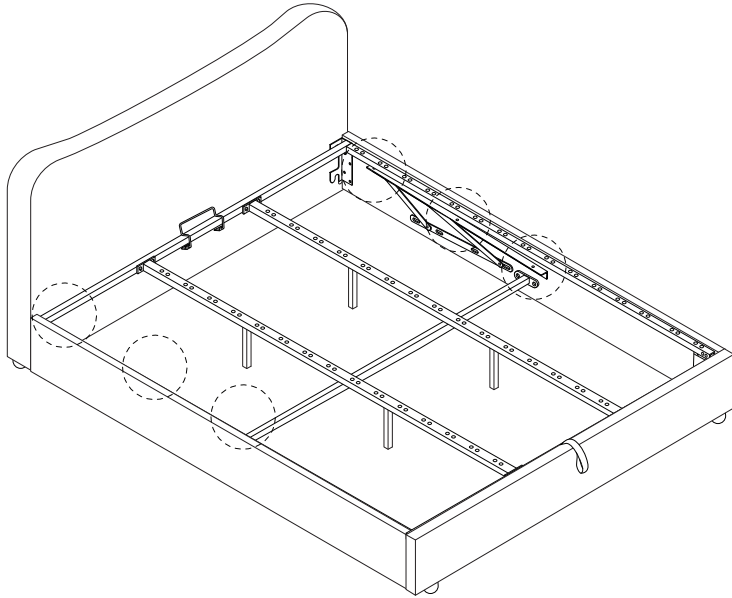
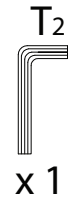
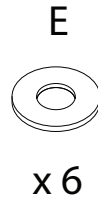
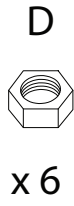
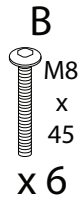
13



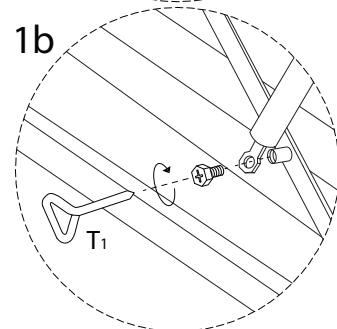
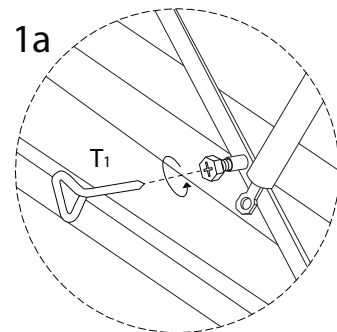
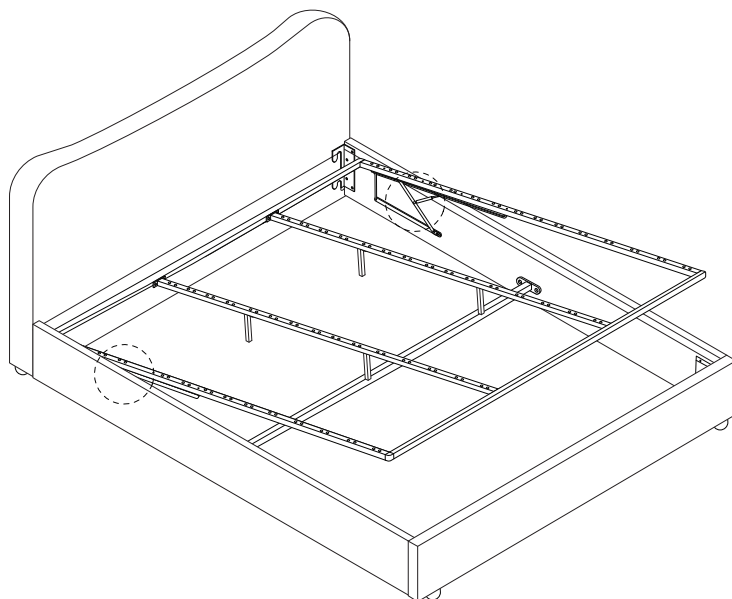
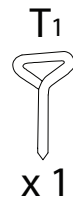
x 1



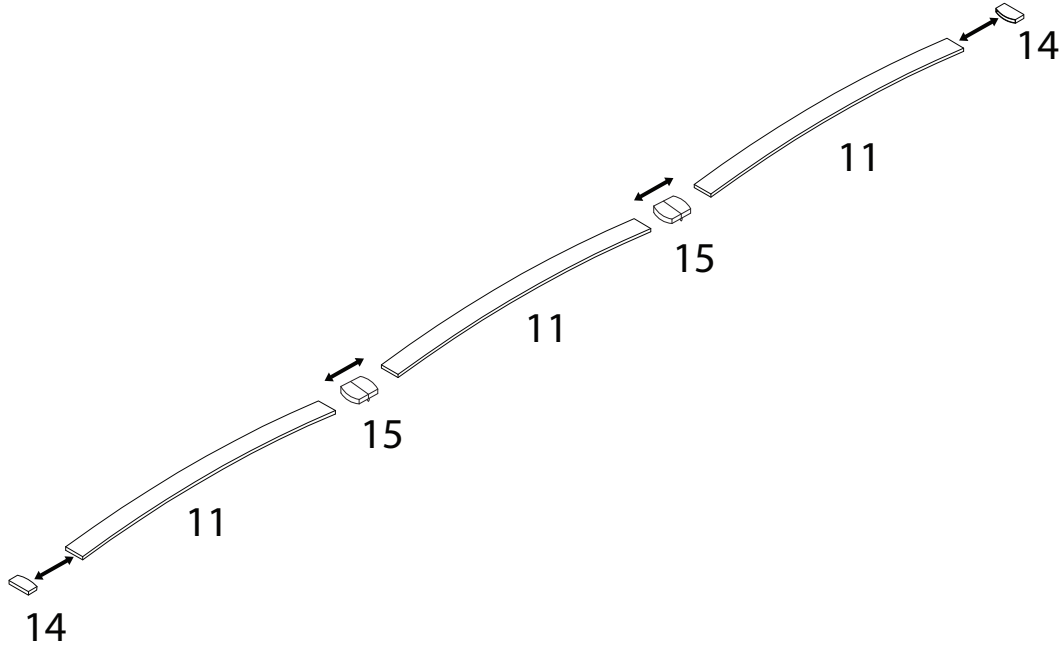
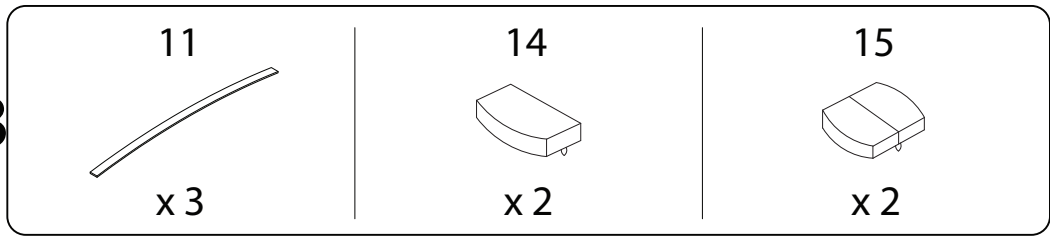
12



13



14 x 13



15

