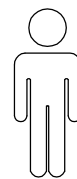
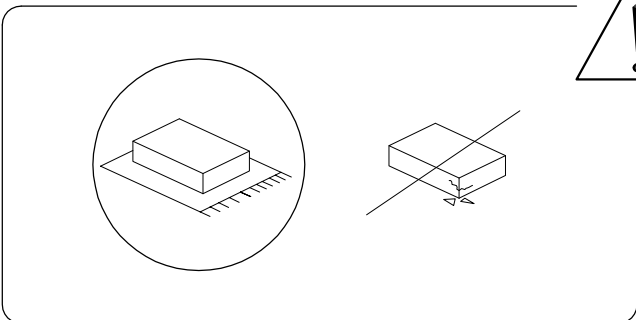
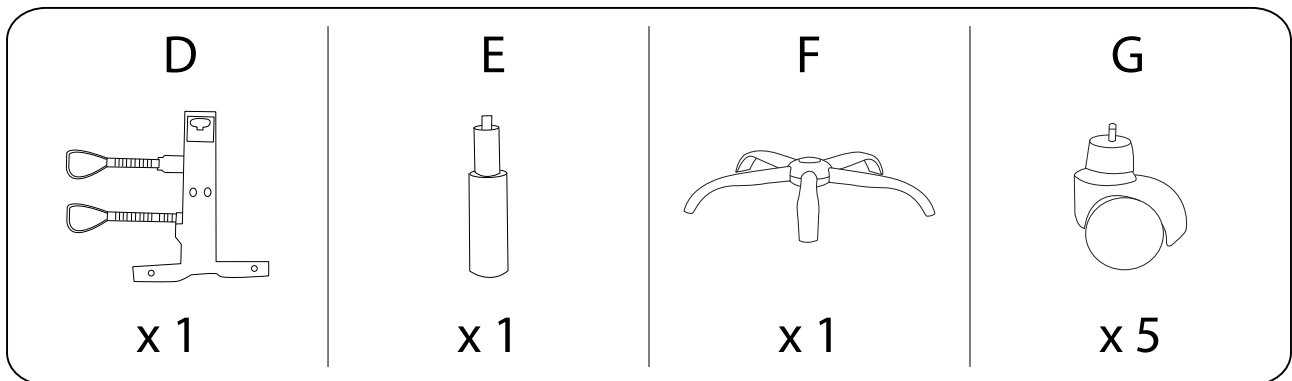
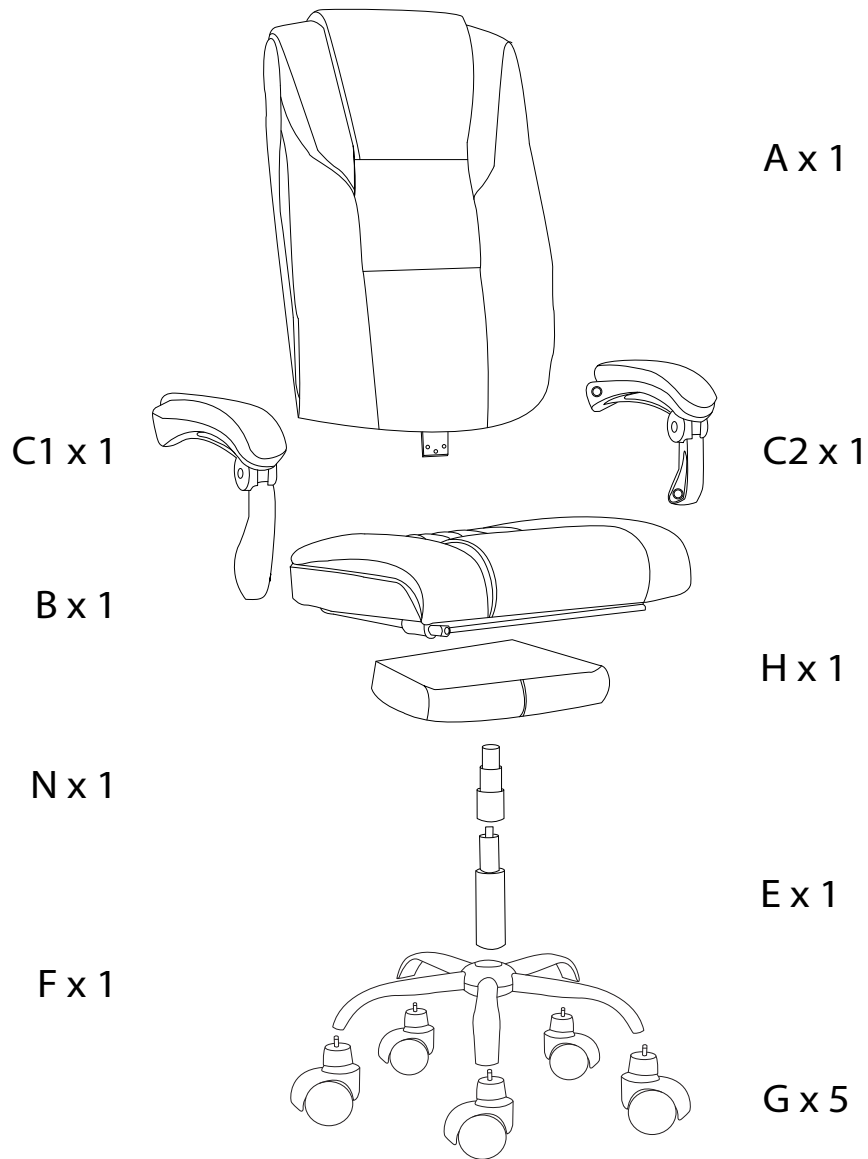
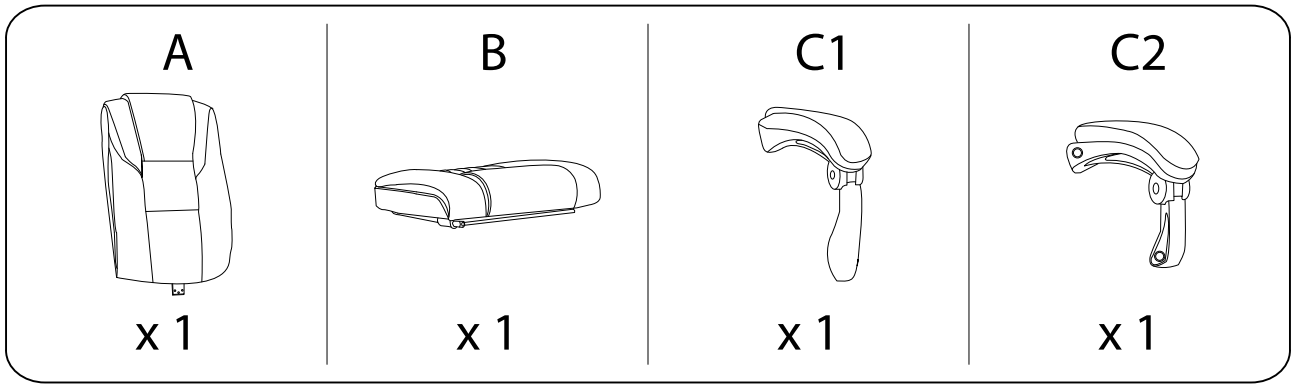


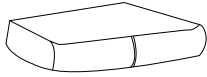
30'



1

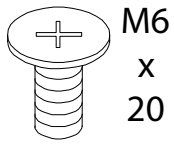


H



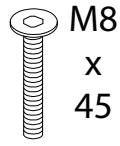
x 1

I



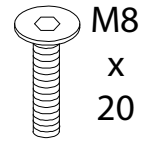
x 8

J



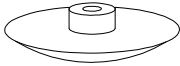
x 4

K



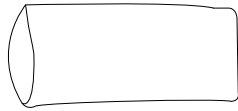
x 3

L



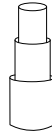
x 4

M



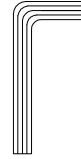
x 1

N



x 1

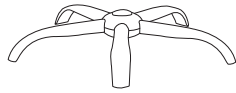
W



x 1

1

F

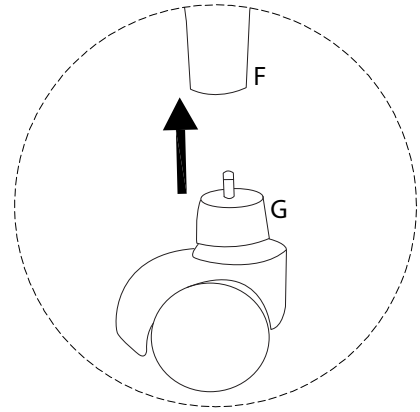
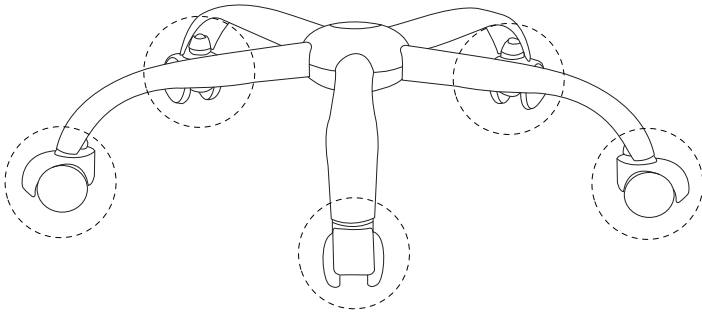


x 1

G

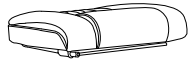


x 5



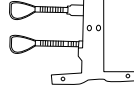
2

B



x 1

D



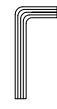
x 1

I

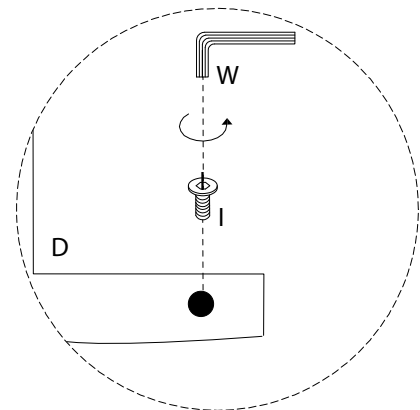
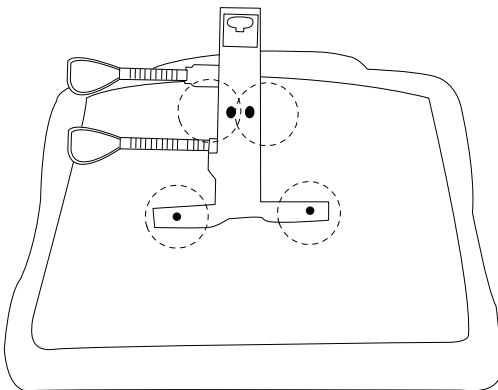


x 4

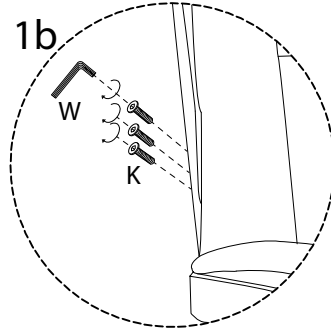
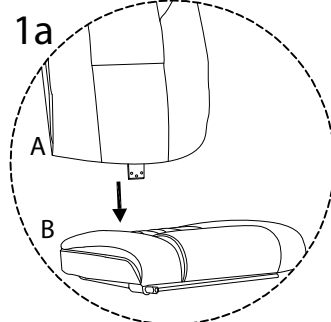
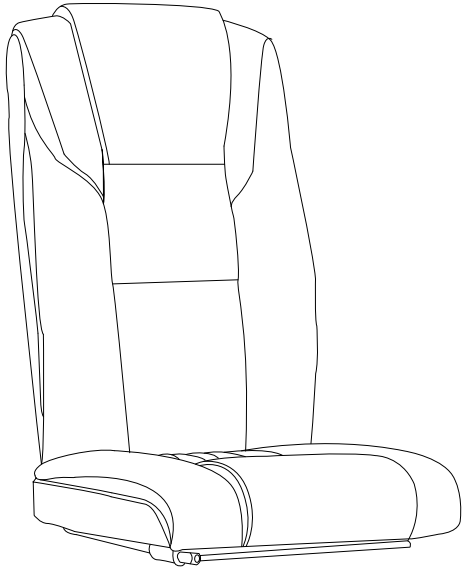
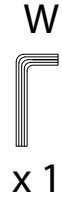
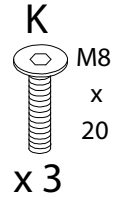
W



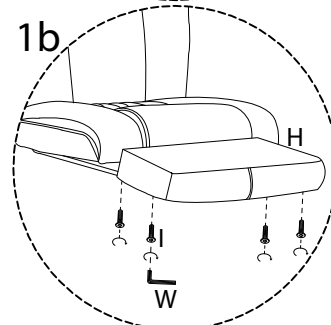
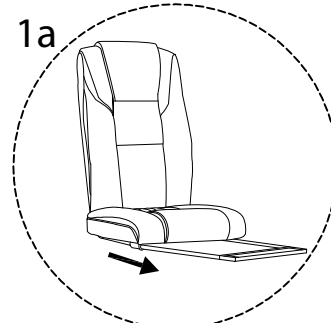
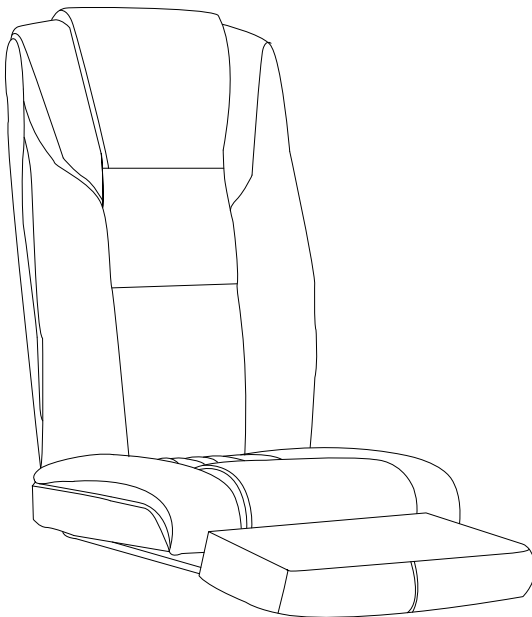
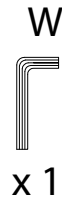
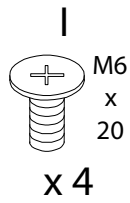
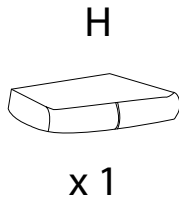
x 1



3



4



5

C1



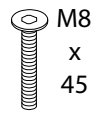
x 1

C2



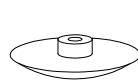
x 1

J



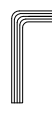
x 4

L

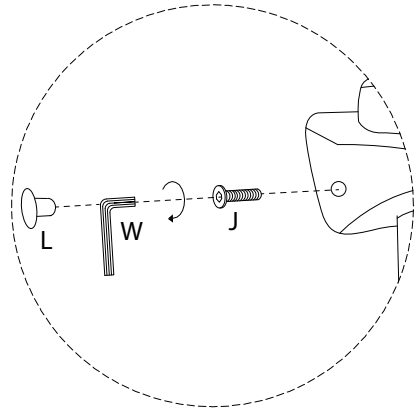
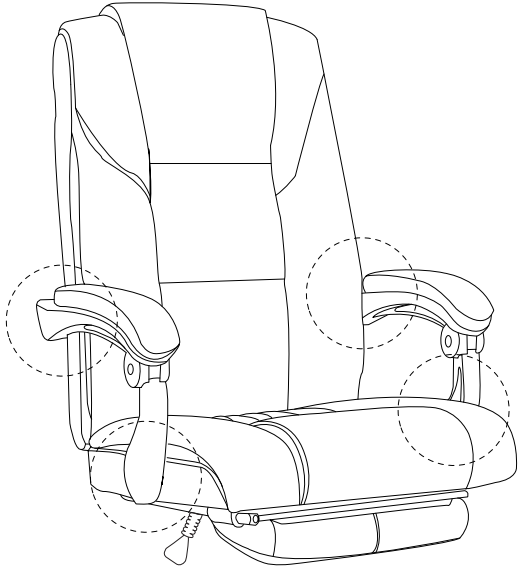


x 4

W



x 1



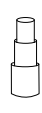
6

E

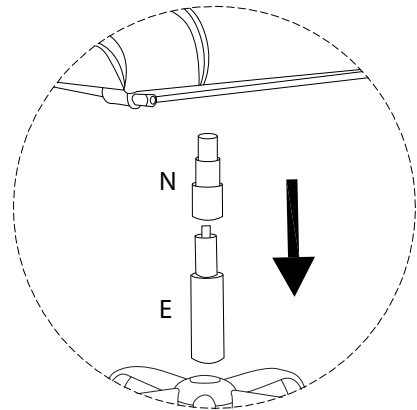


x 1

N



x 1



7

M



x 1

