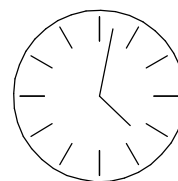
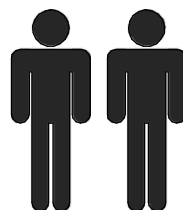
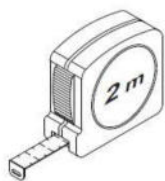
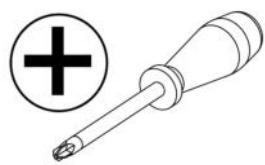
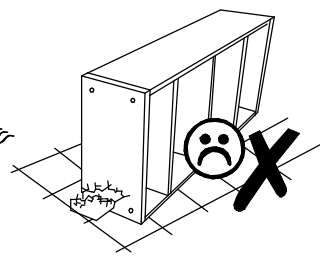
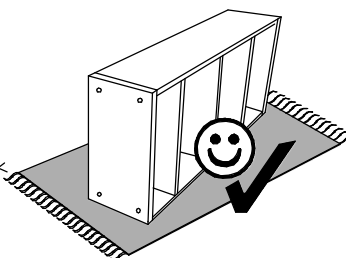
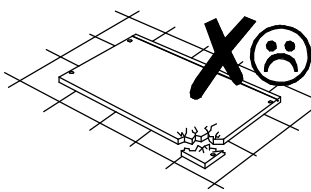
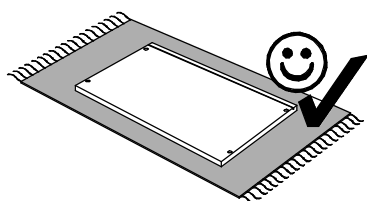
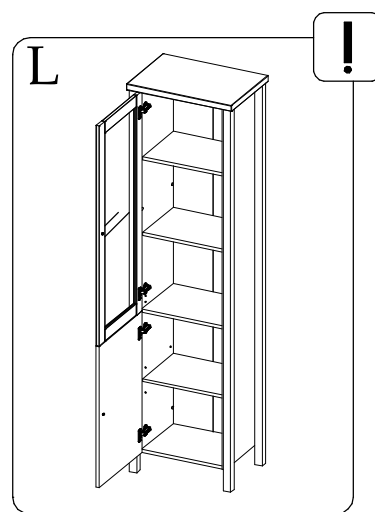
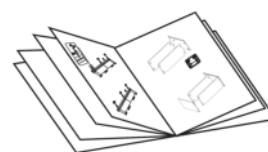
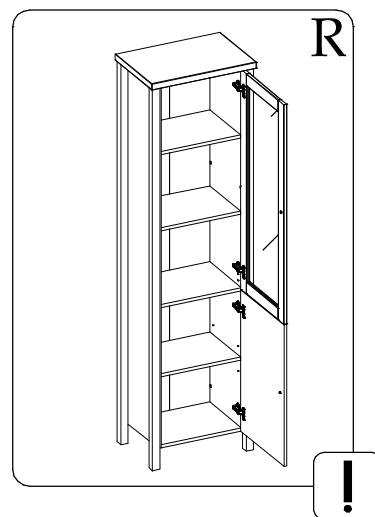
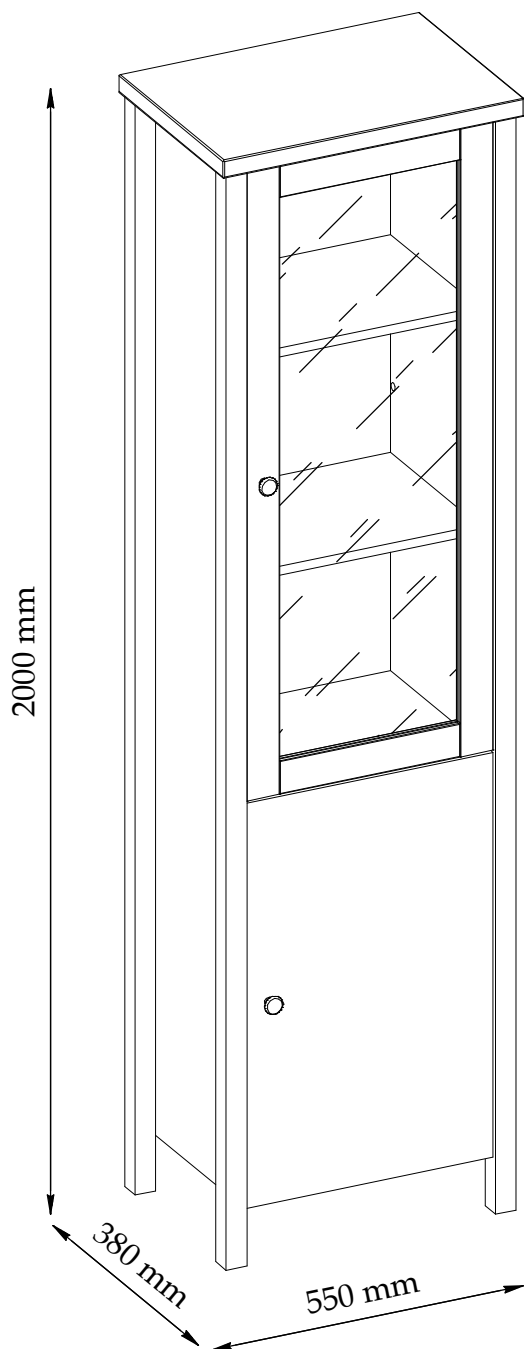
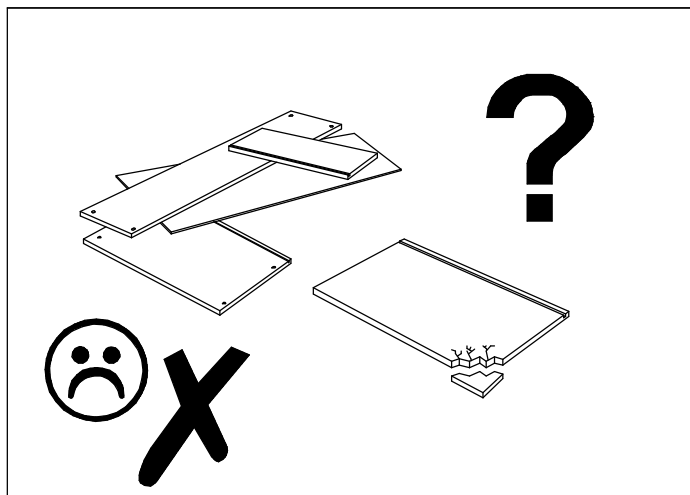
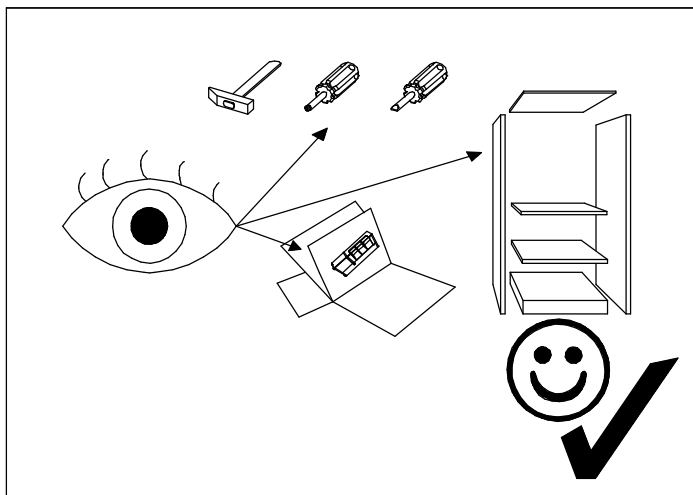
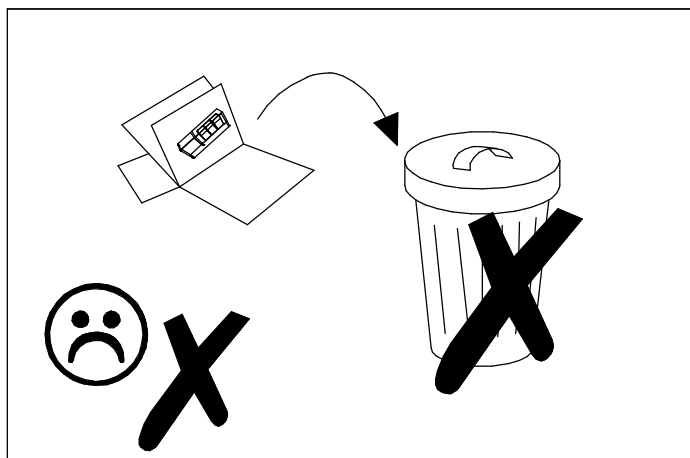
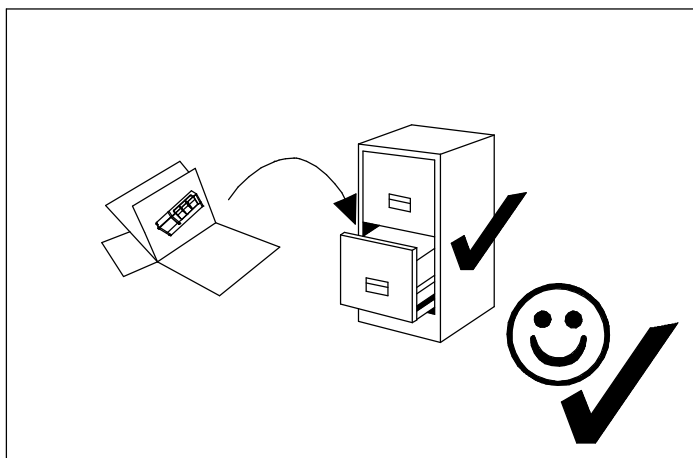
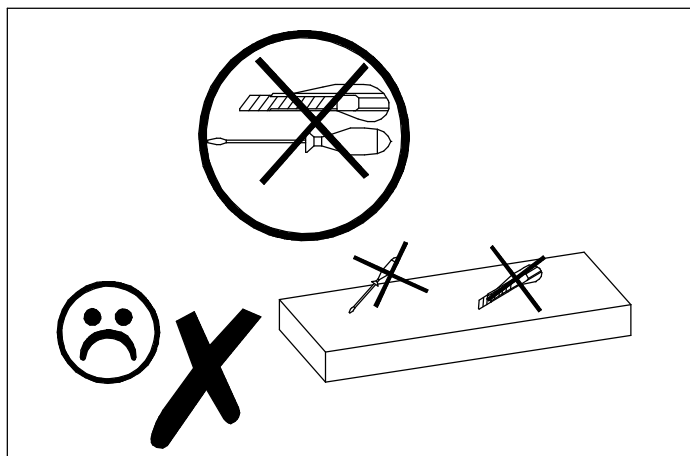
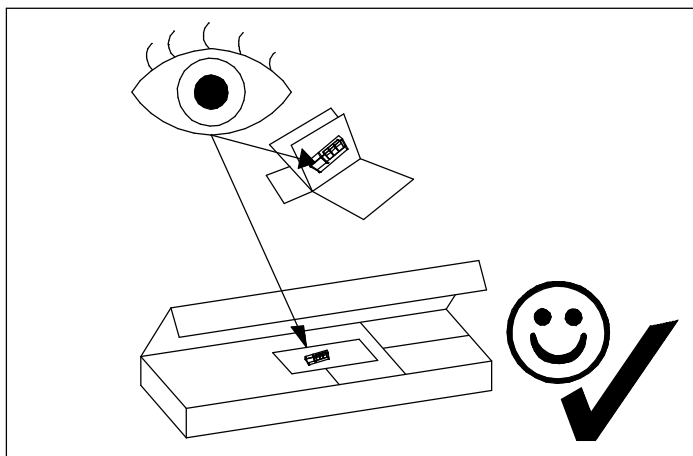


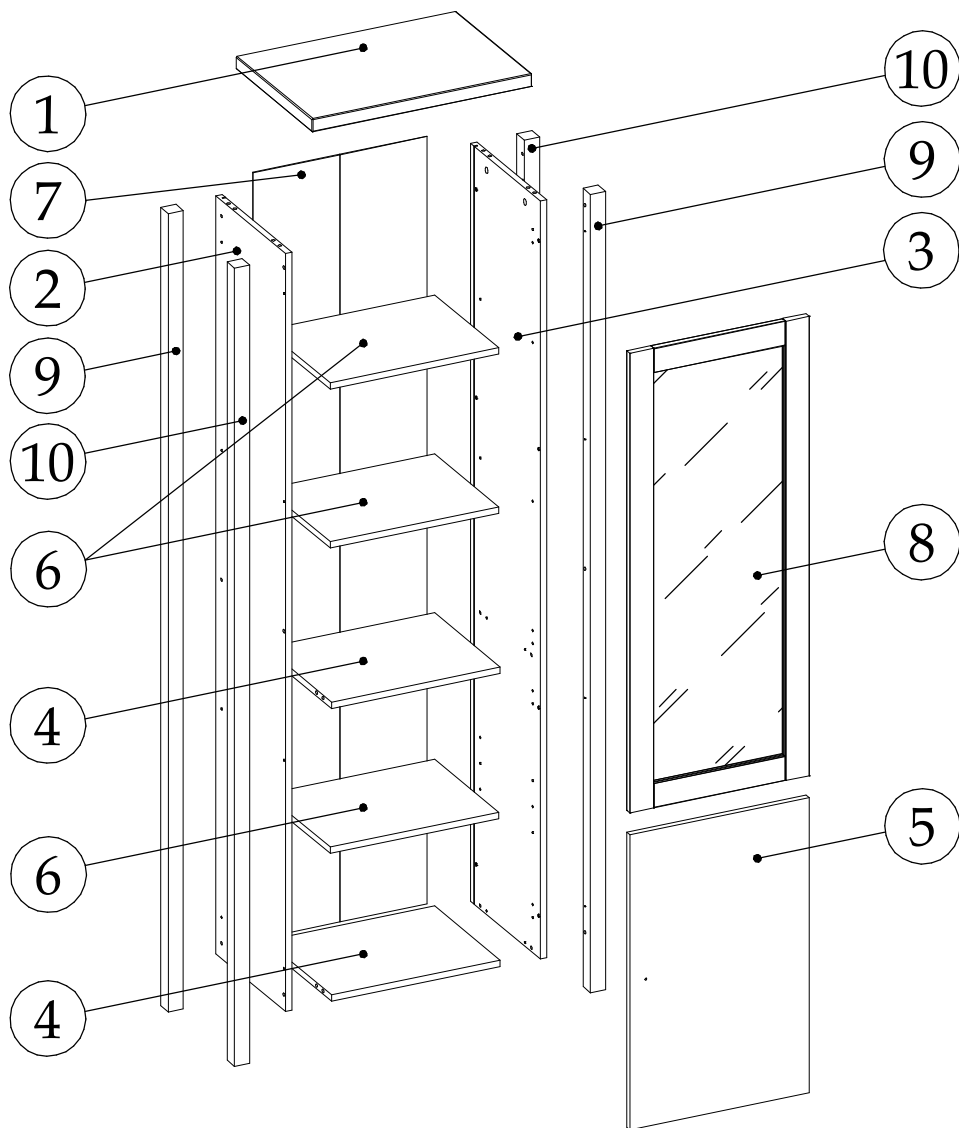
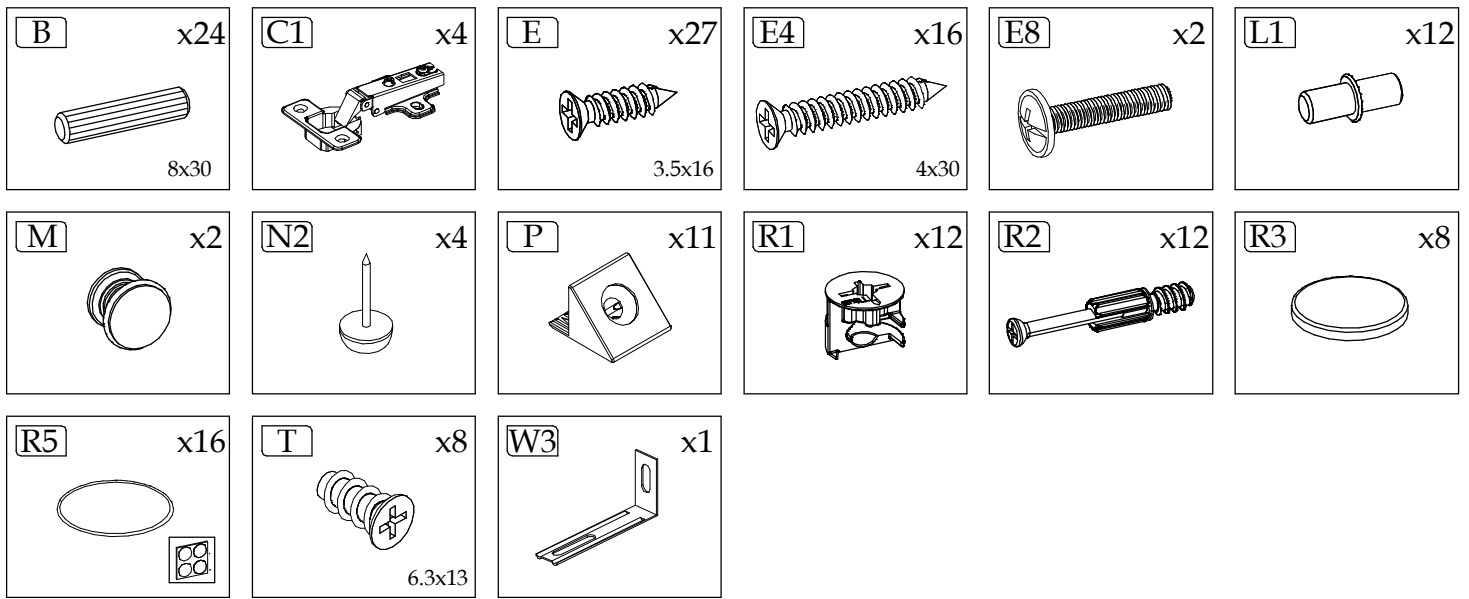
MELINI N



90 min



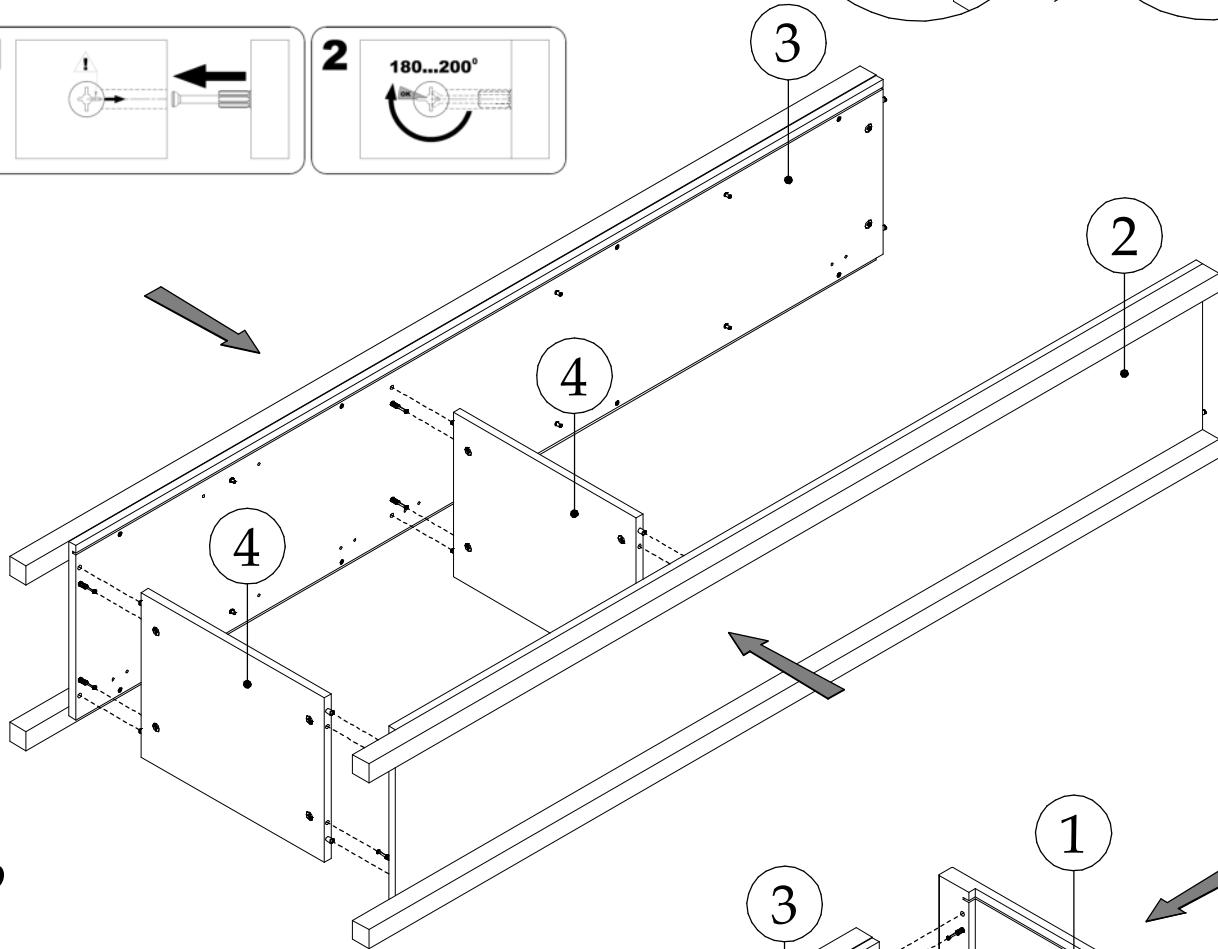
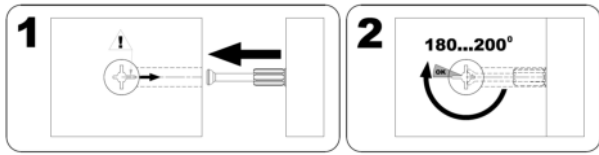
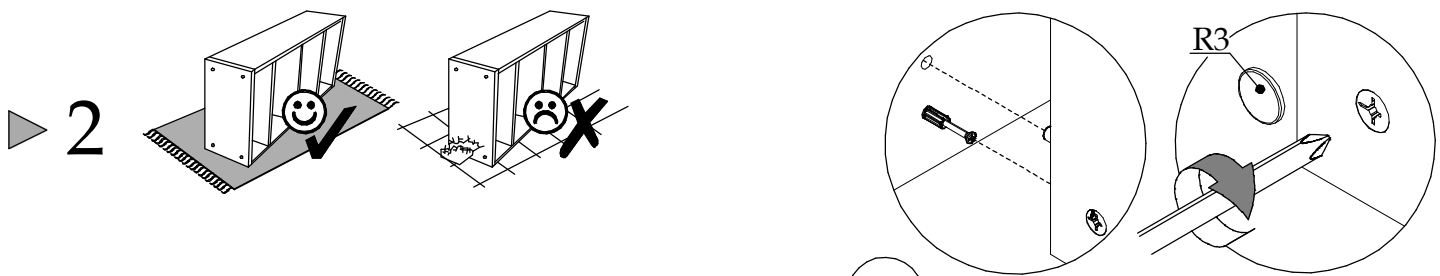




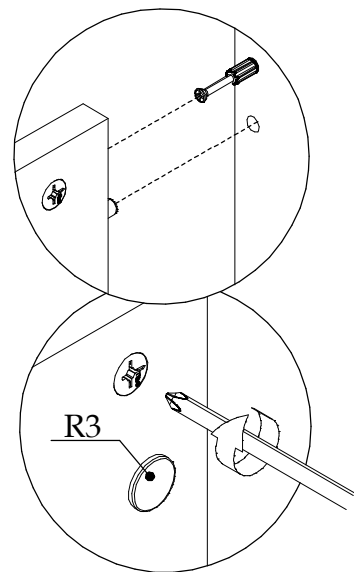
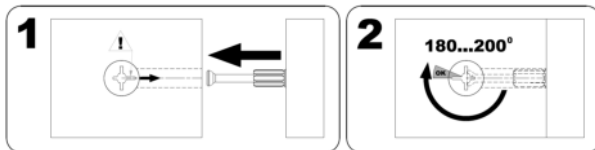
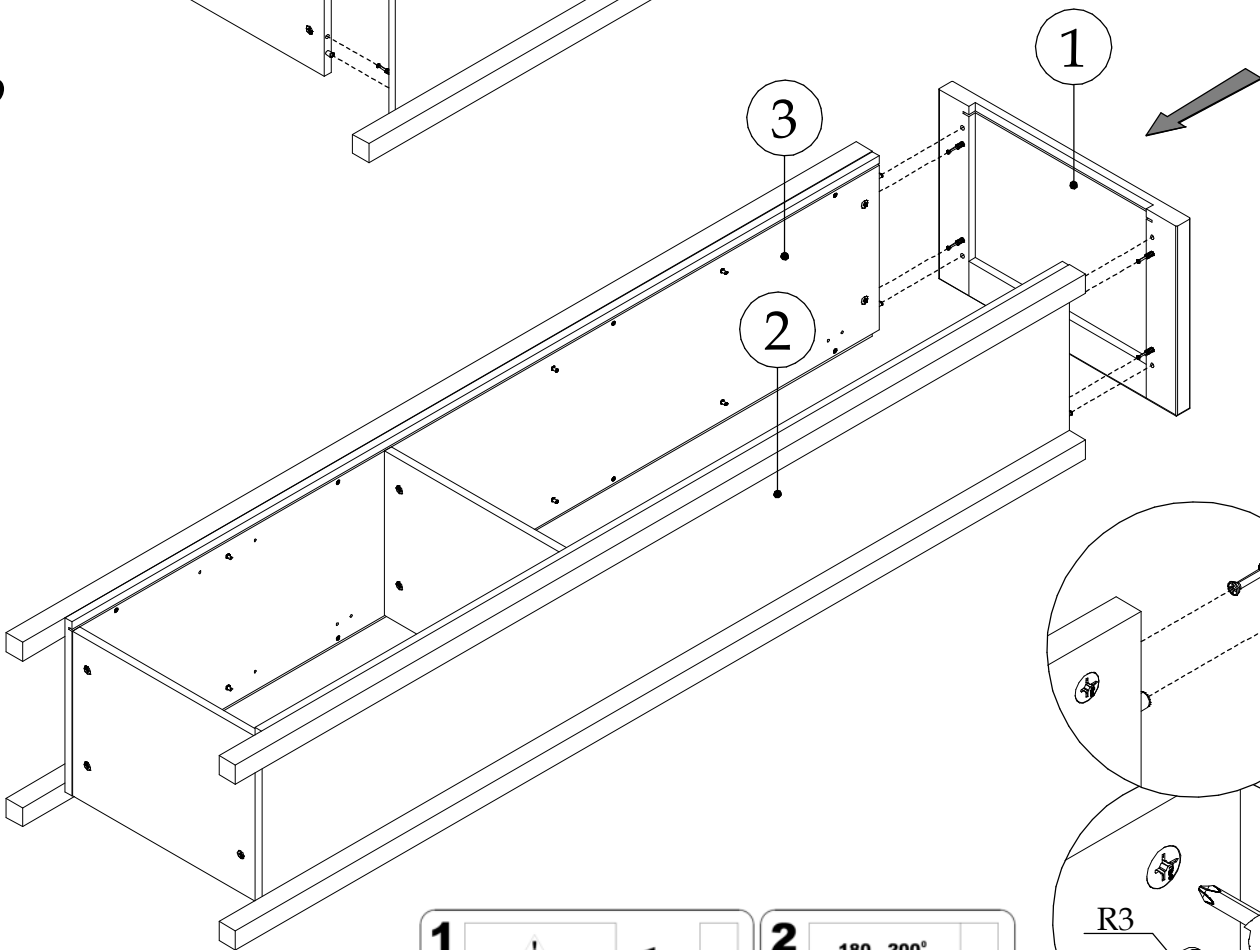
Element symbol	Measurements					Code	Paket
1	550	380	32	1	1019	1/3	
2	1864	348.5	16	1	1004	2/3	
3	1864	348.5	16	1	1005	2/3	

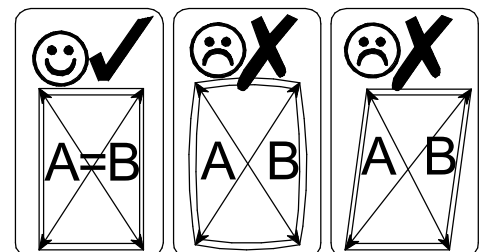
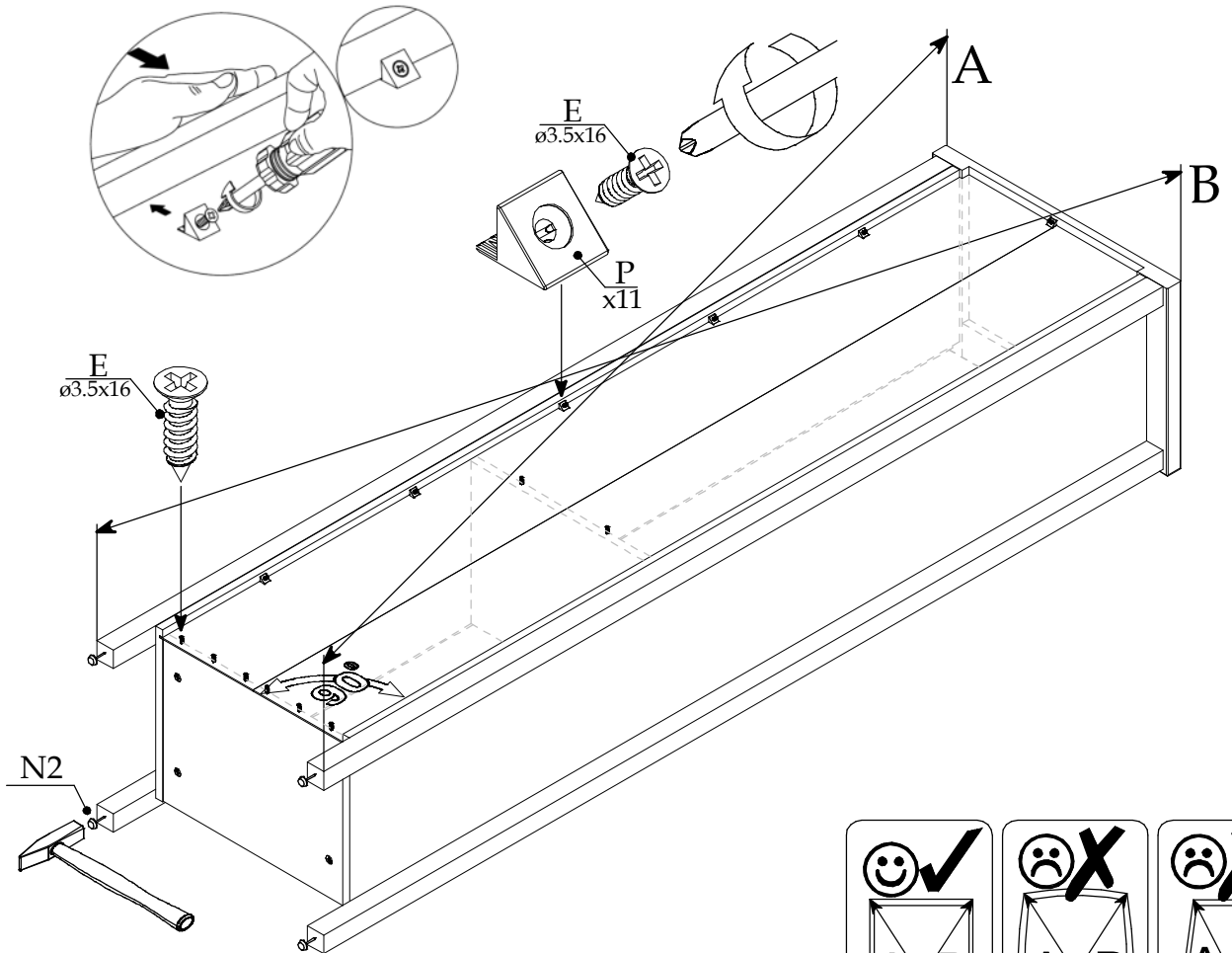
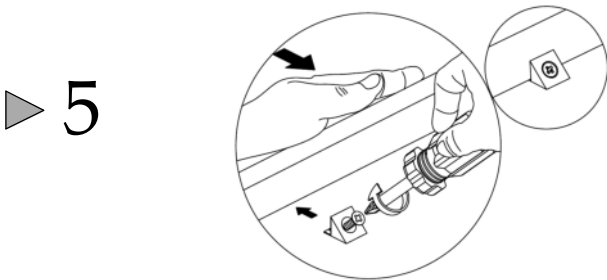
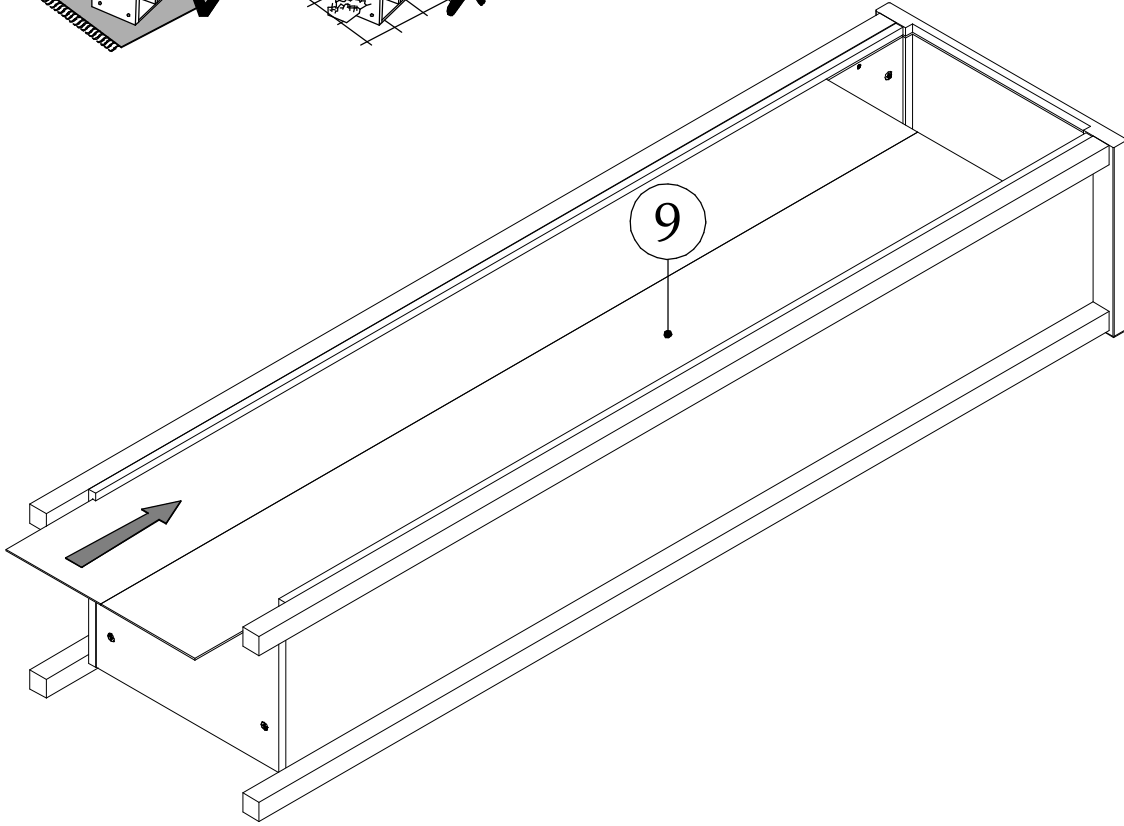
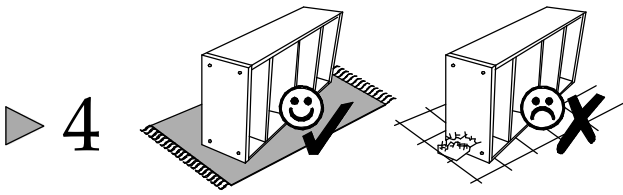
4	422	329	16	2	1001	1/3
5	726	450	16	1	1009	1/3
6	422	320	16	3		1/3
7	1887	436	3	1		1/3

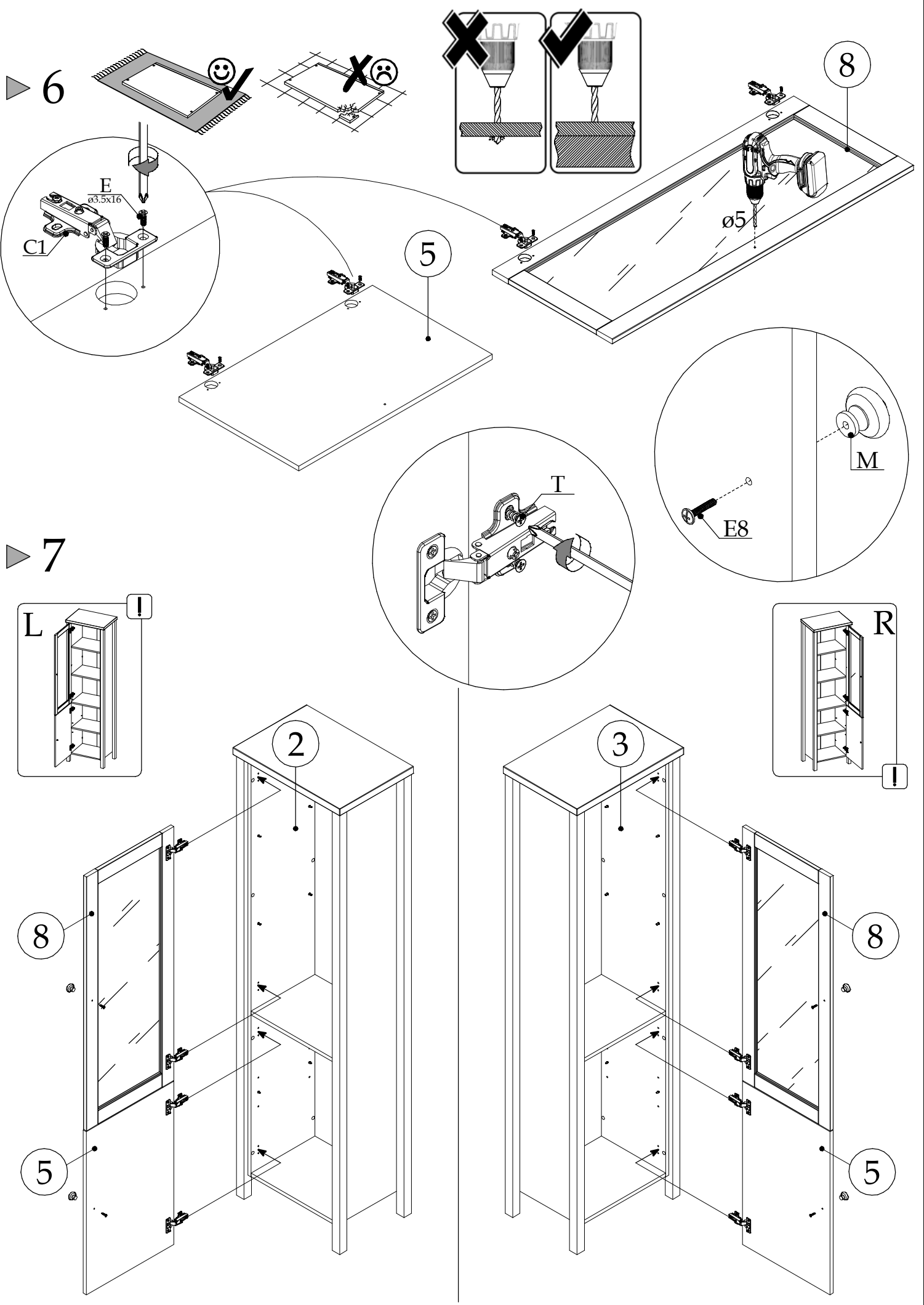
8	1130	450	16	1		1/3
9	1963	38	38	2	4001	2/3
10	1963	38	38	2	4002	2/3



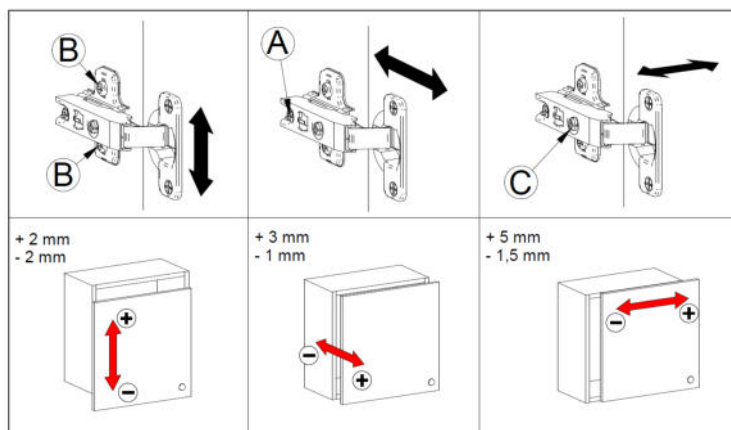
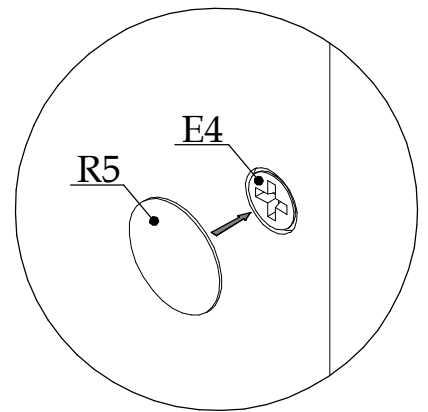
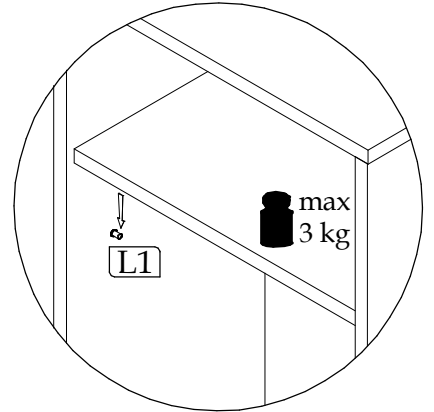
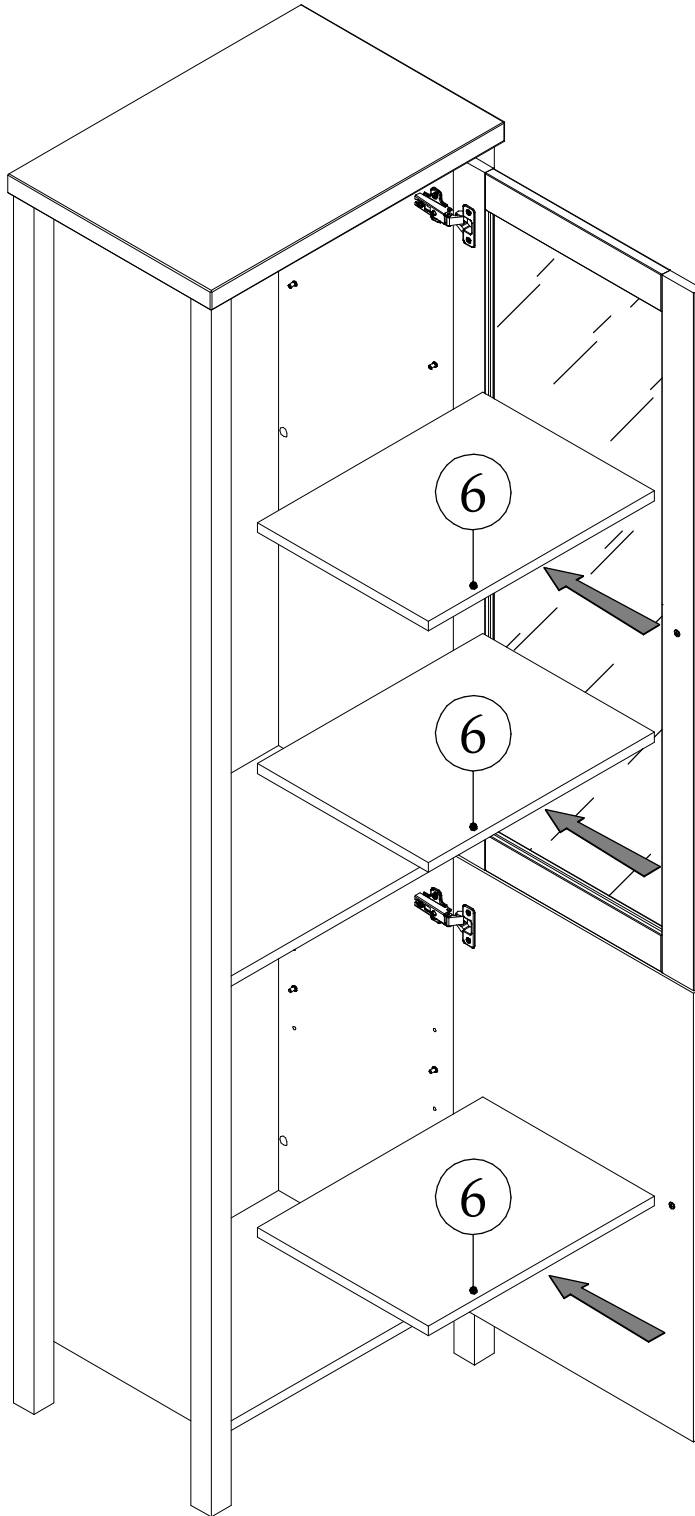
▶ 3



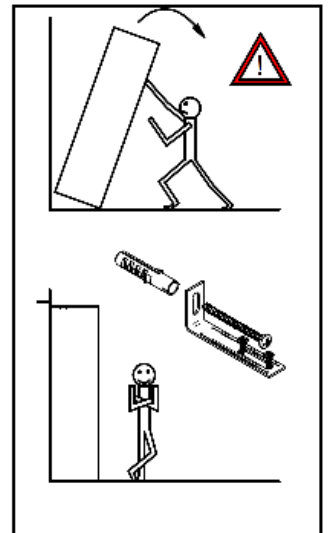
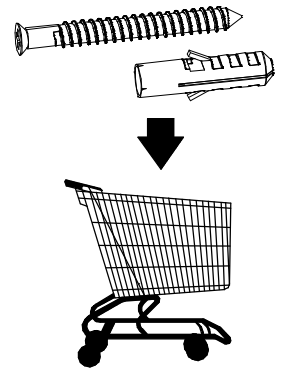
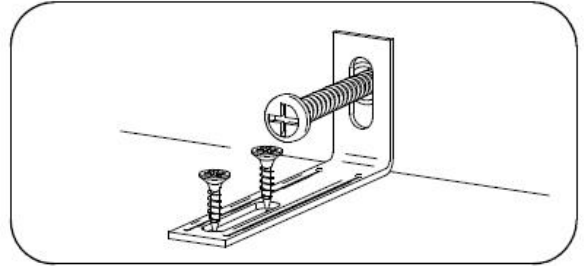
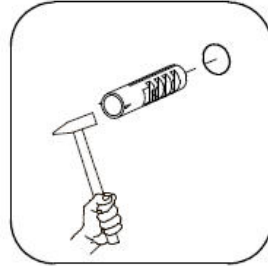
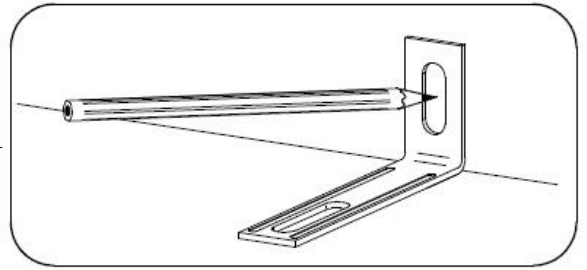
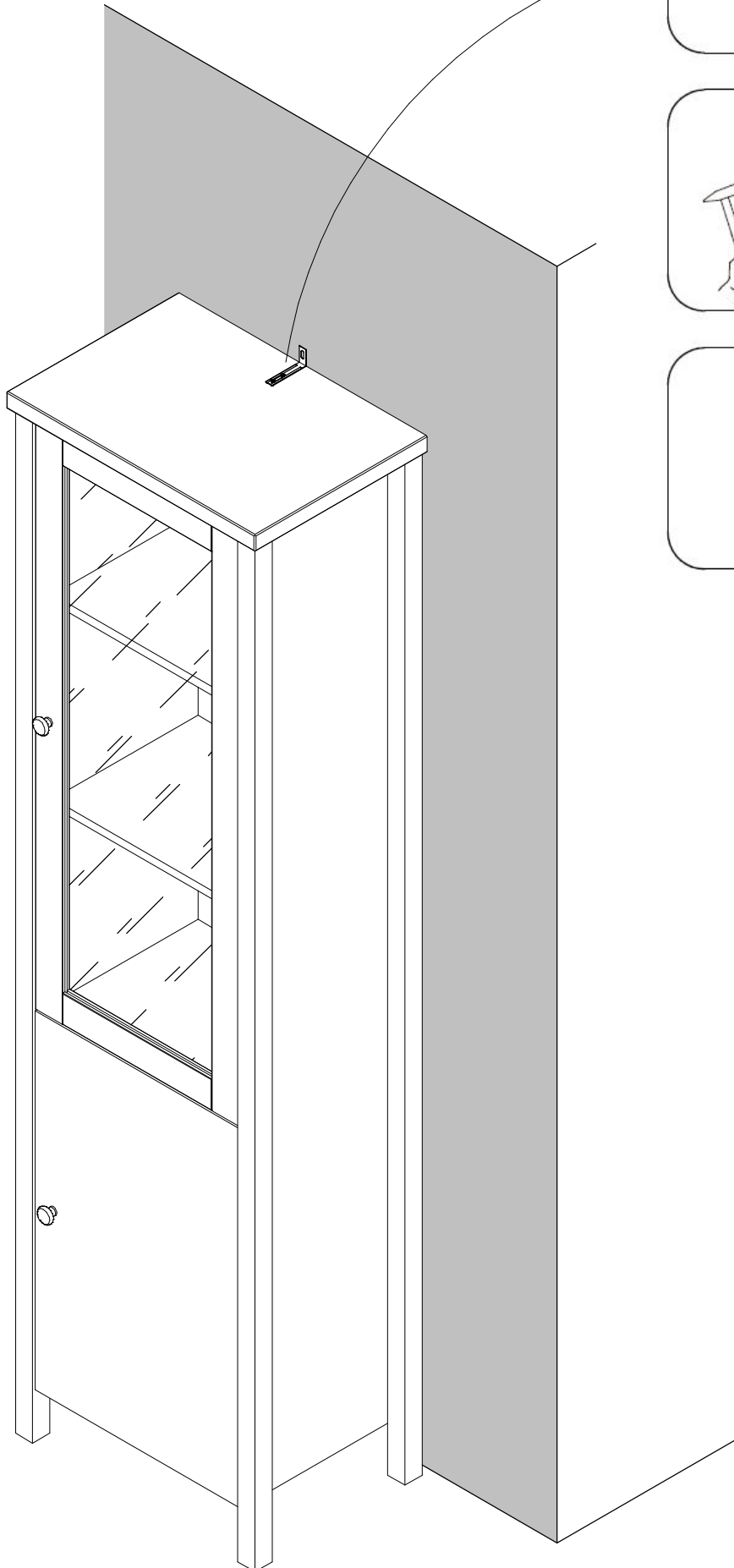


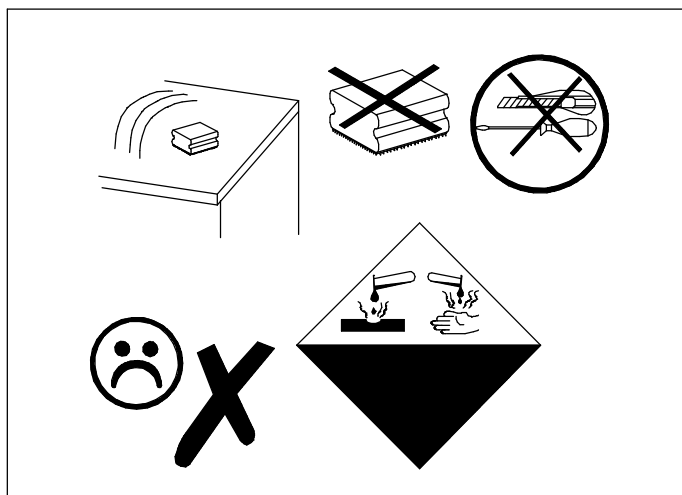
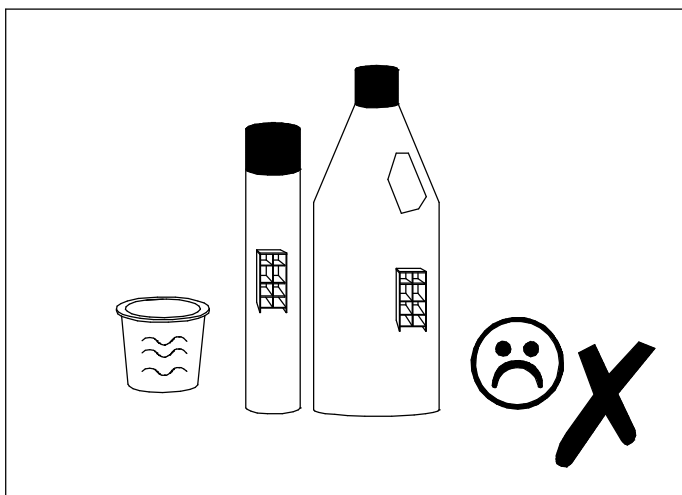
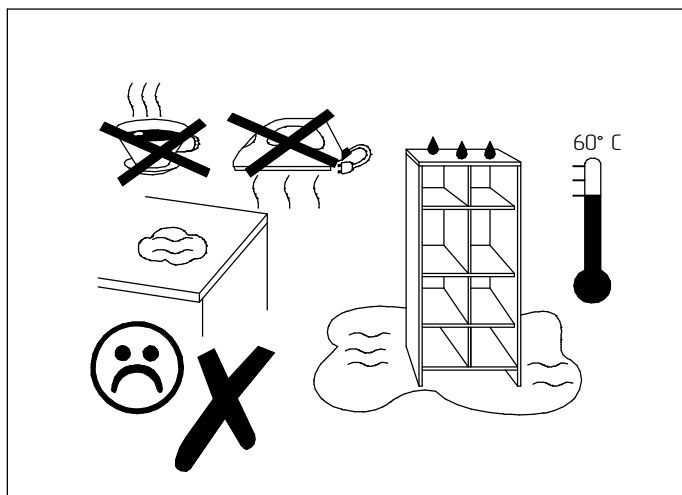
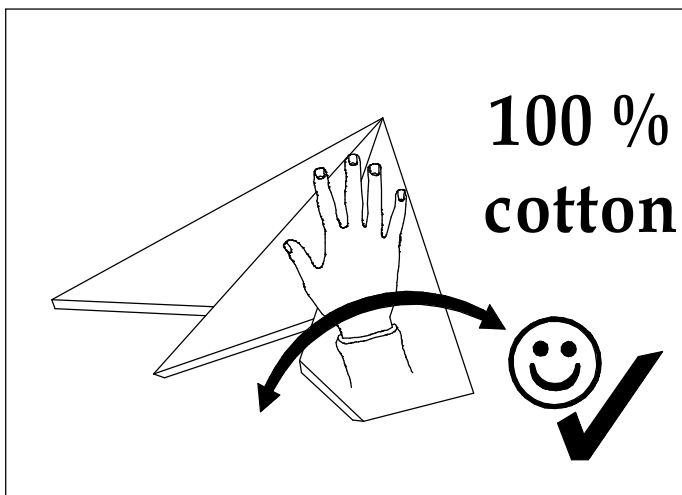
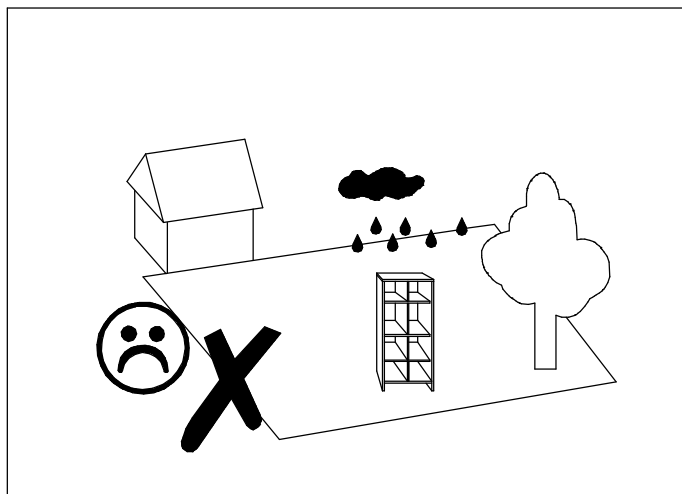
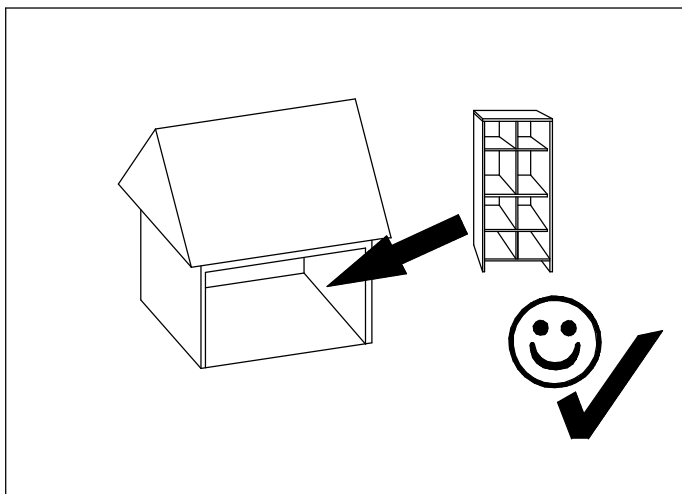


8

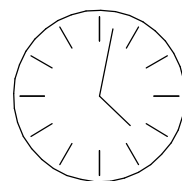
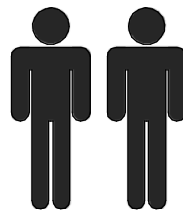
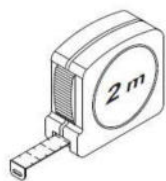
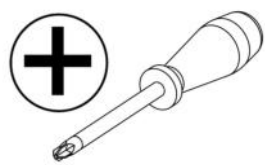


▶ 9

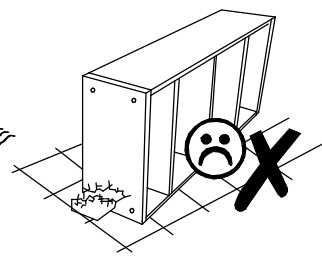
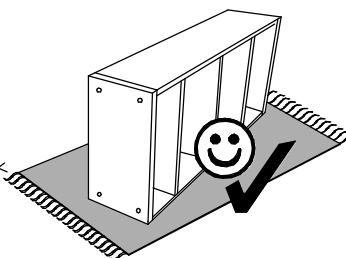
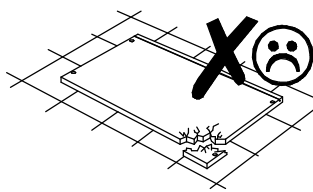
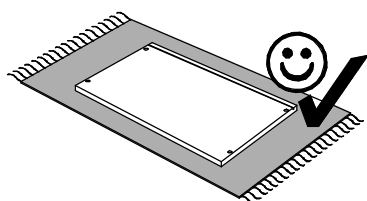
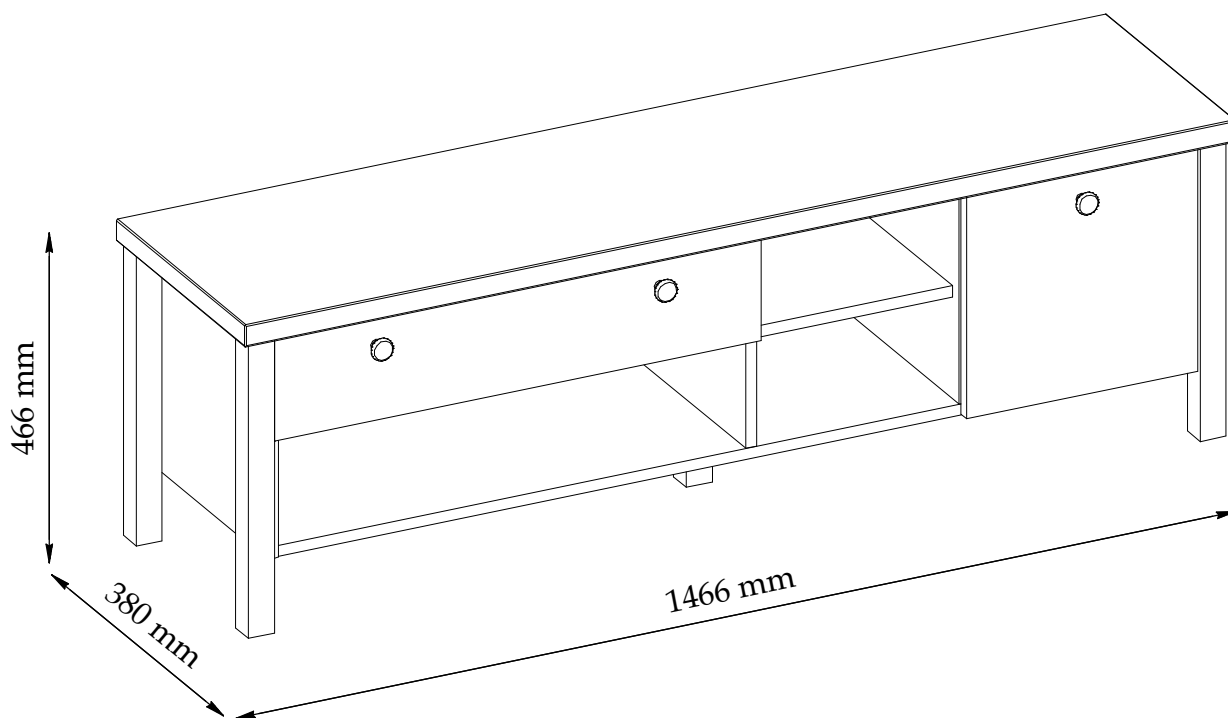


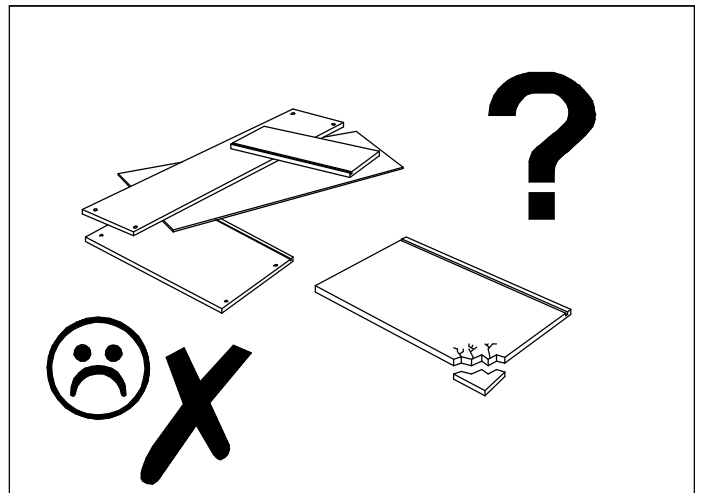
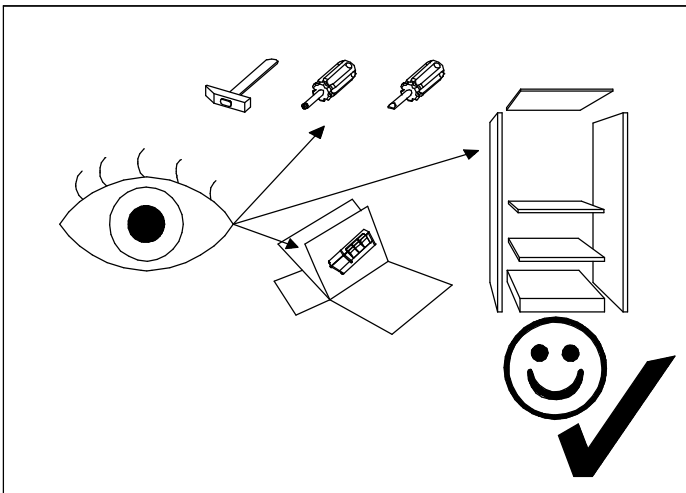
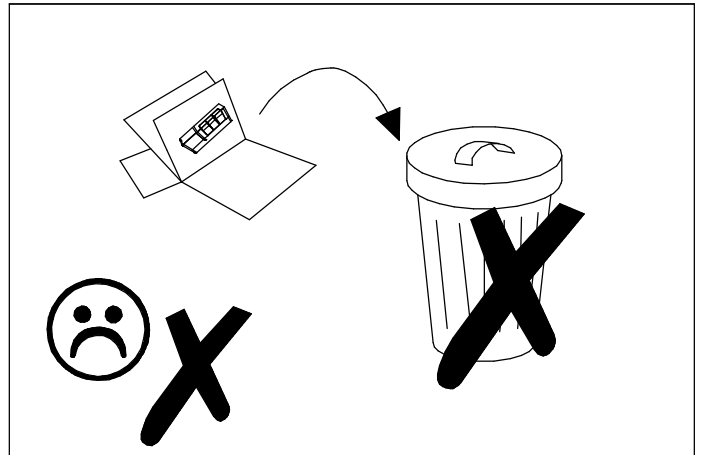
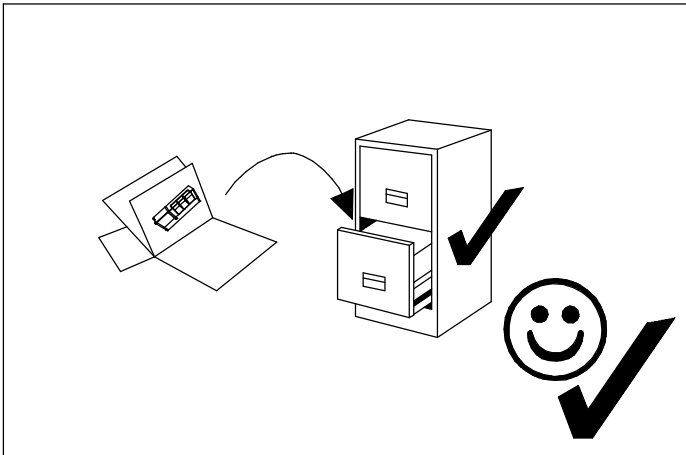
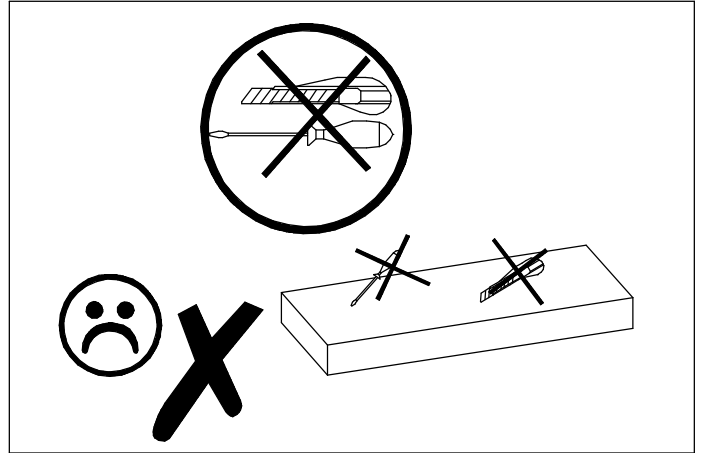
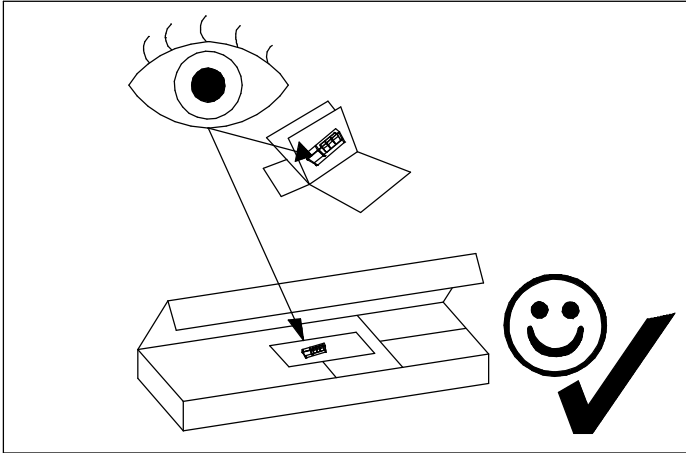


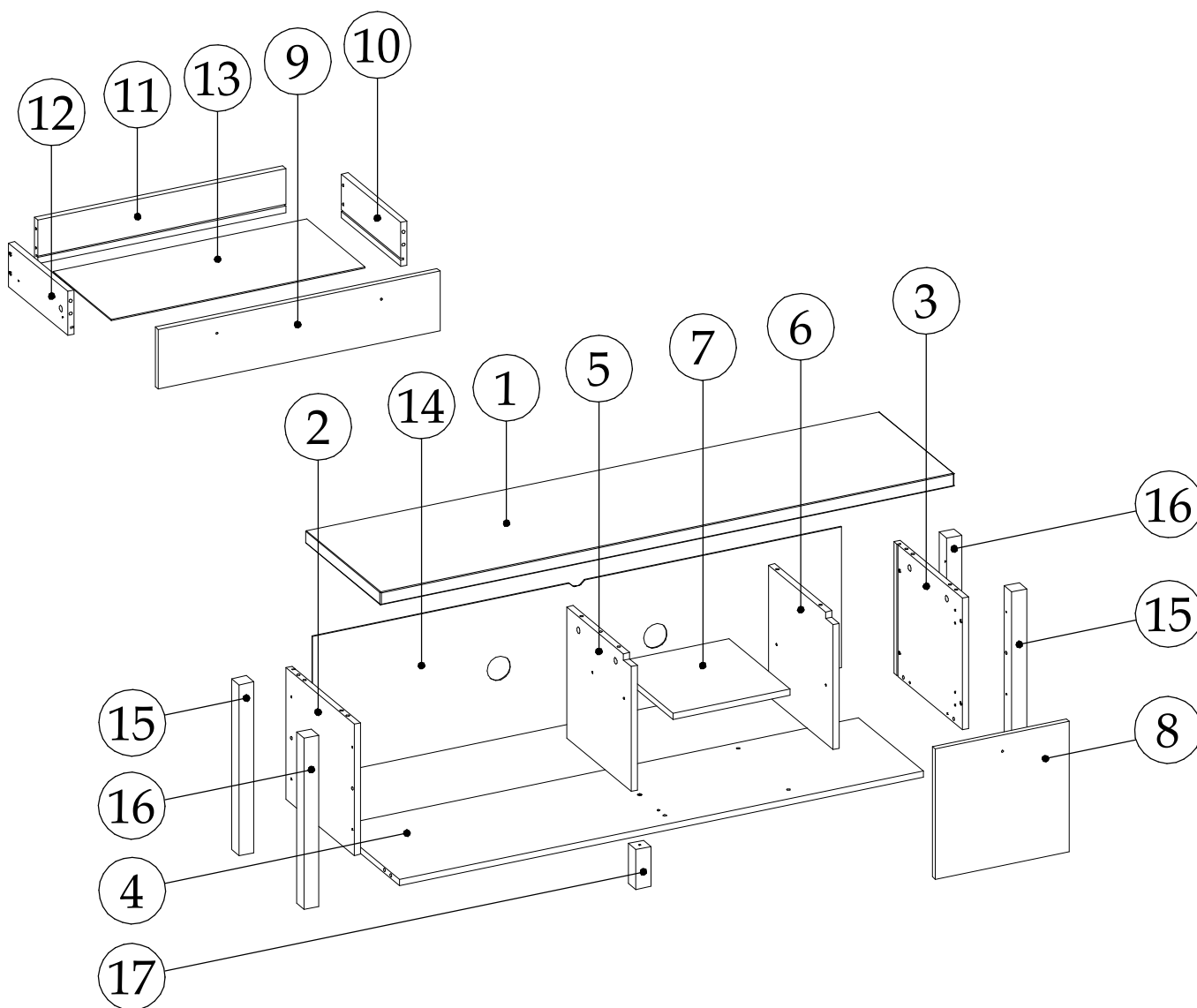
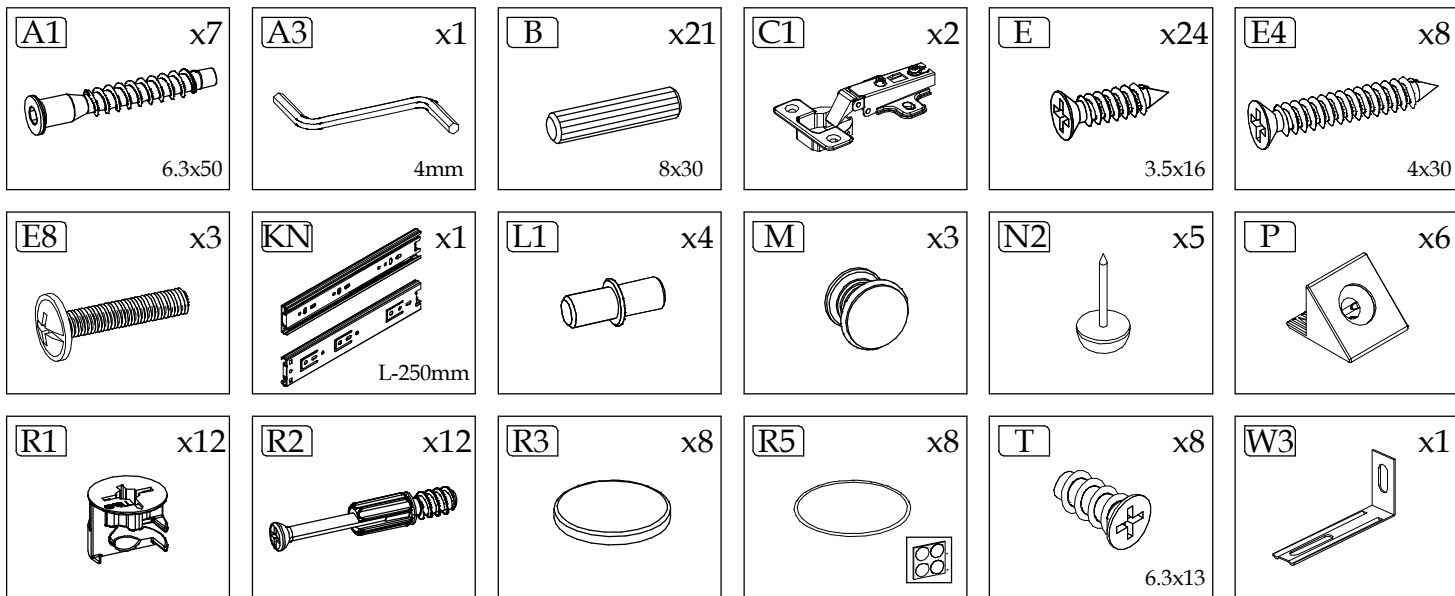
MELINI B



90 min



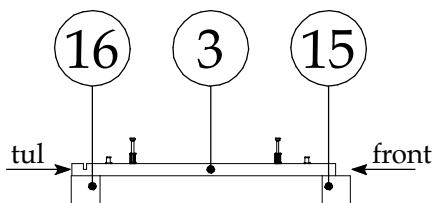
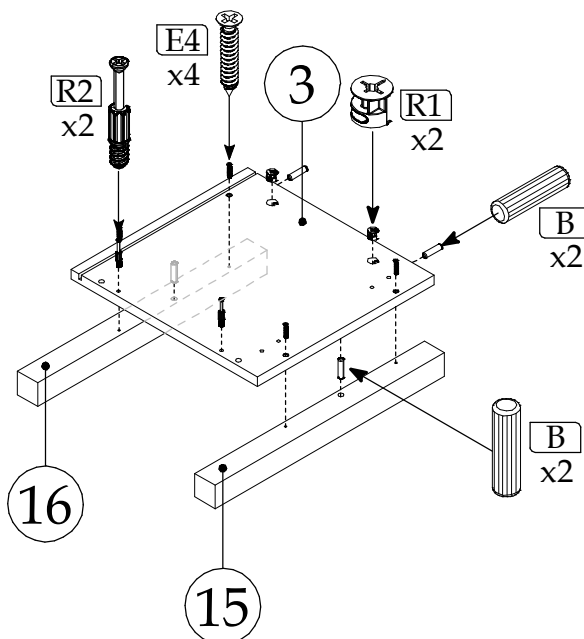
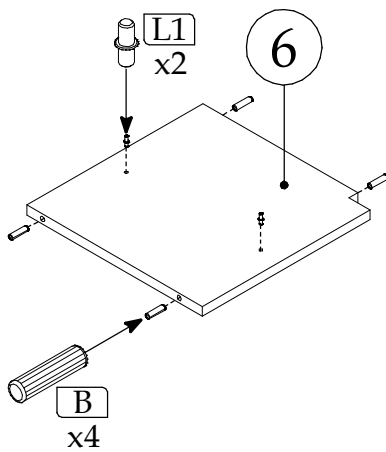
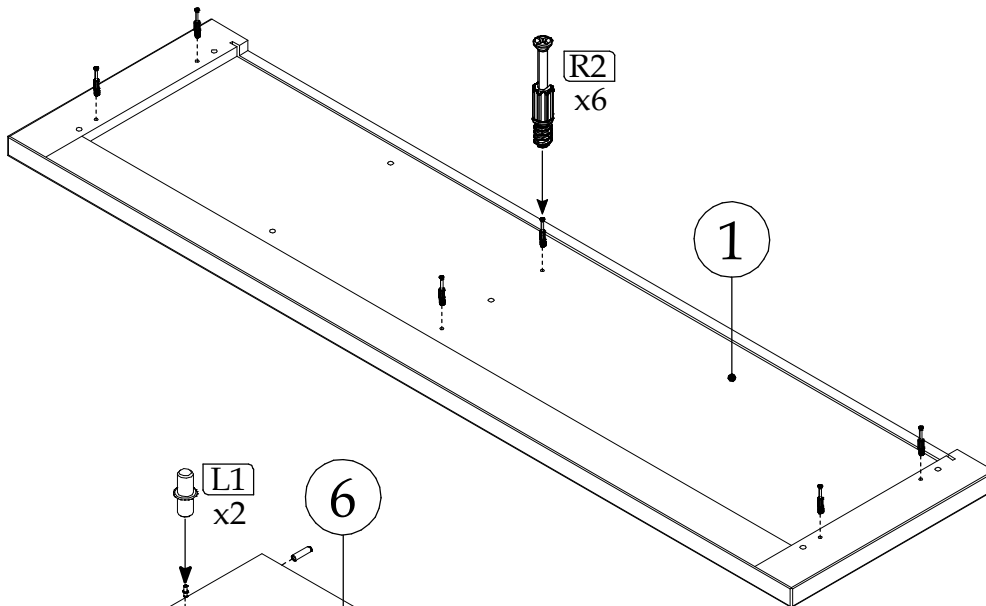
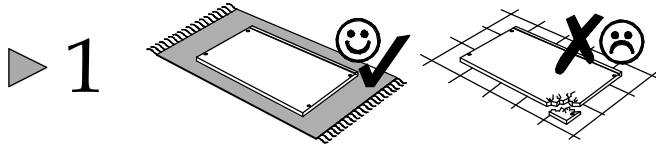
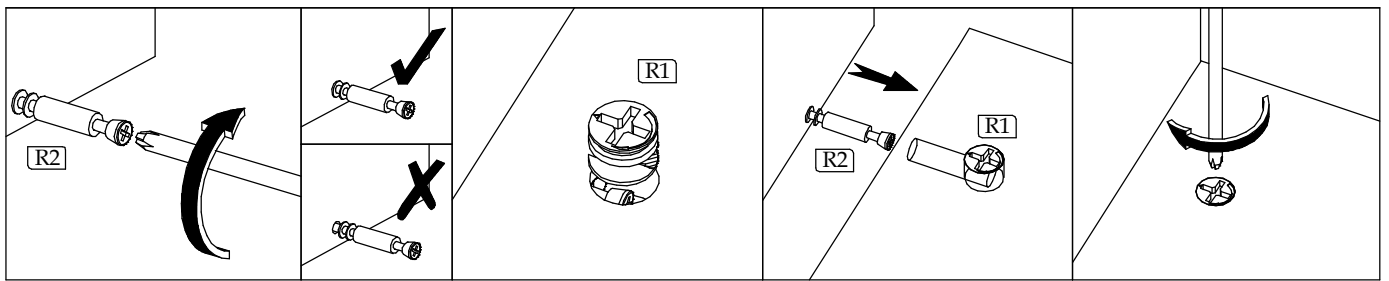




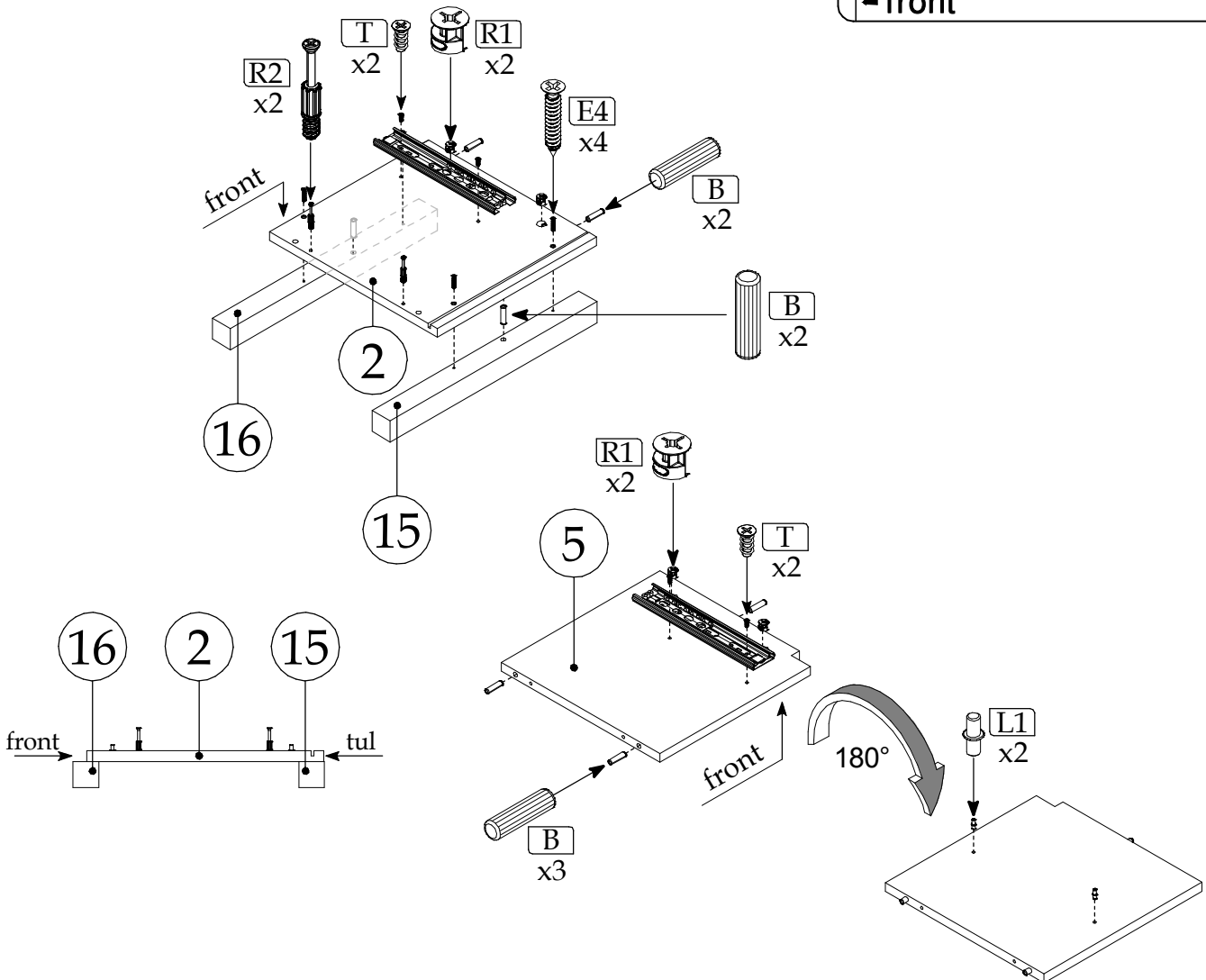
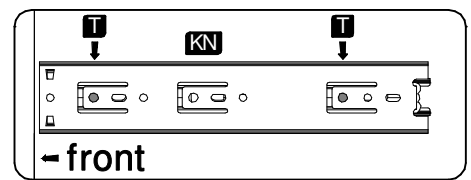
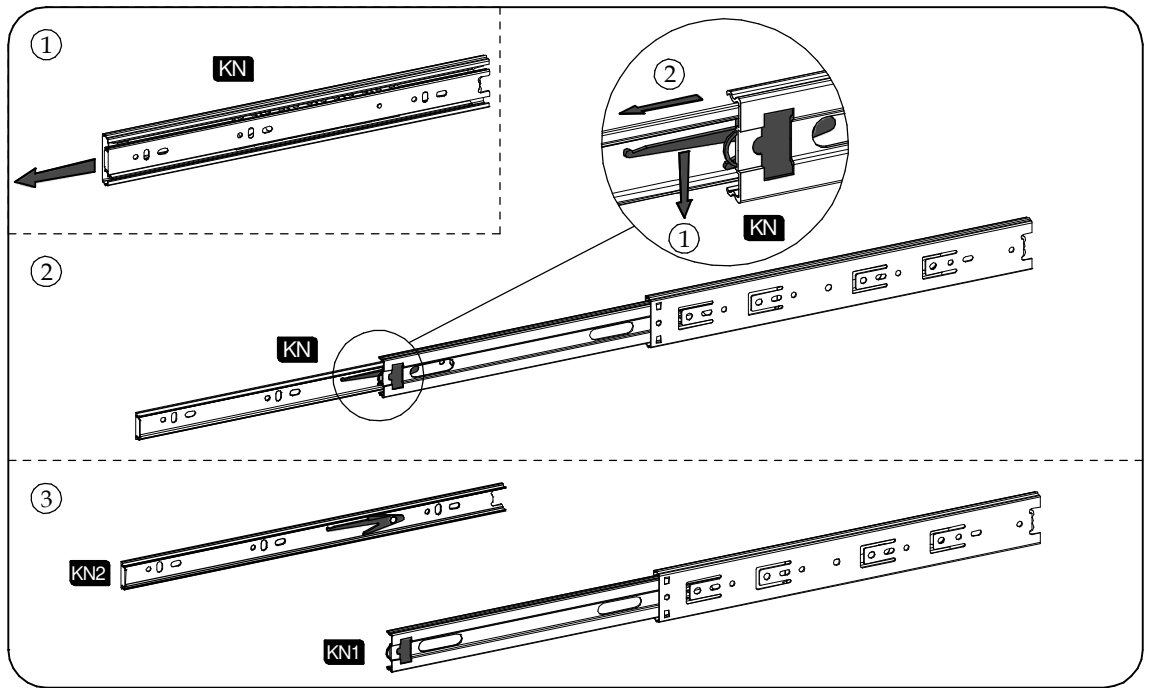
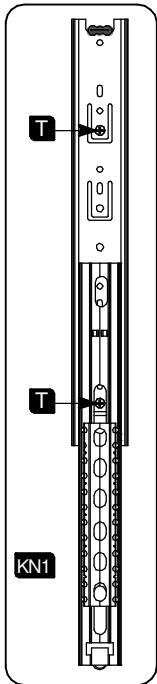
Element symbol	Measurements				Code	Paket
1	1466	380	32	1	1032	1/1
2	330	348.5	16	1	1004	1/1
3	330	348.5	16	1	1005	1/1
4	1338	329	16	1	1006	1/1
5	329	328.5	16	1	1001	1/1

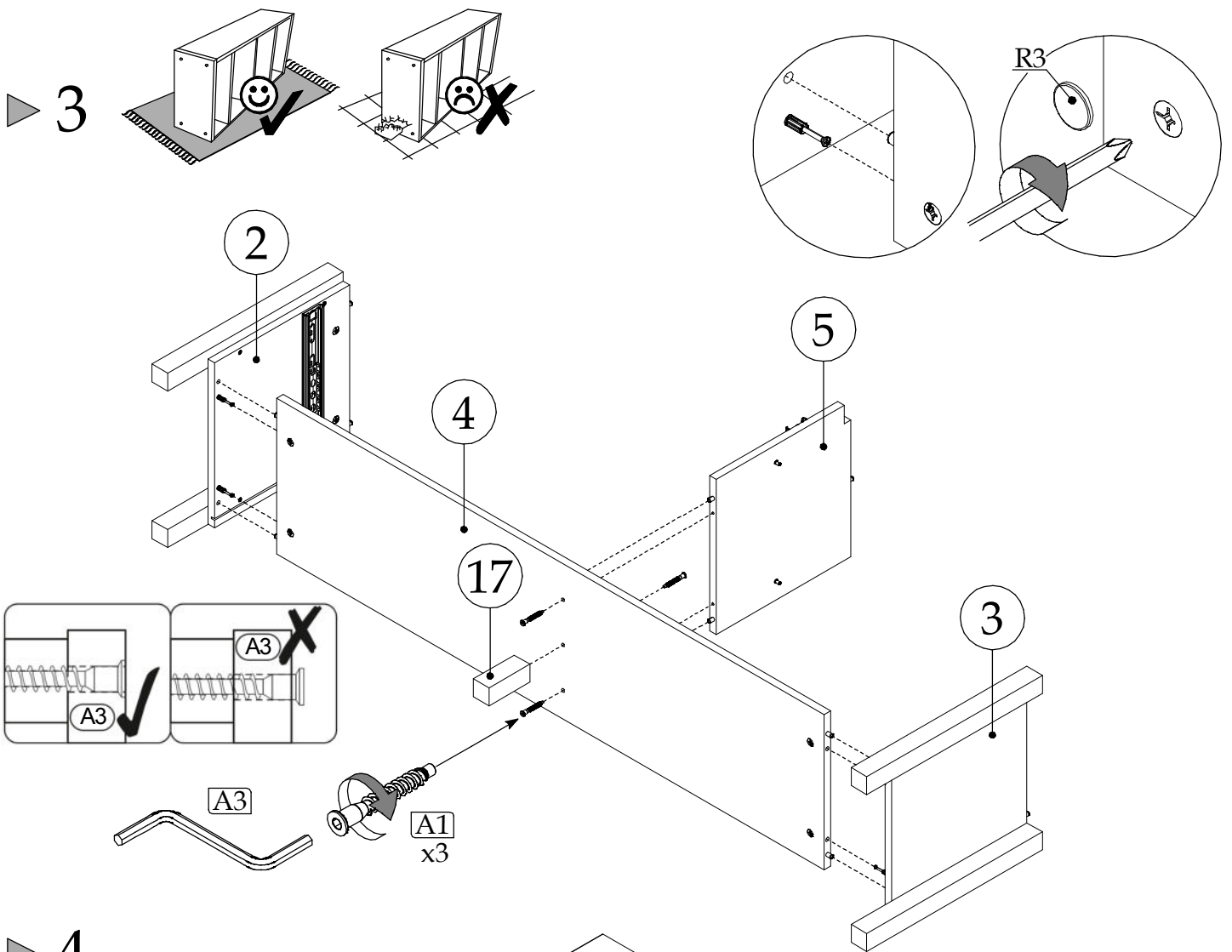
6	329	328.5	16	1	1033	1/1
7	299	310	16	1		1/1
8	326	342	16	1	1039	1/1
9	720	150	16	1	1034	1/1
10	300	110	16	1	1035	1/1
11	634.5	110	16	1	1036	1/1

12	300	110	16	1	1037	1/1
13	648.5	296	3	1		1/1
14	1352	353	3	1	1007	1/1
15	429	38	38	2	4001	1/1
16	429	38	38	2	4002	1/1
17	100	38	38	1	4003	1/1

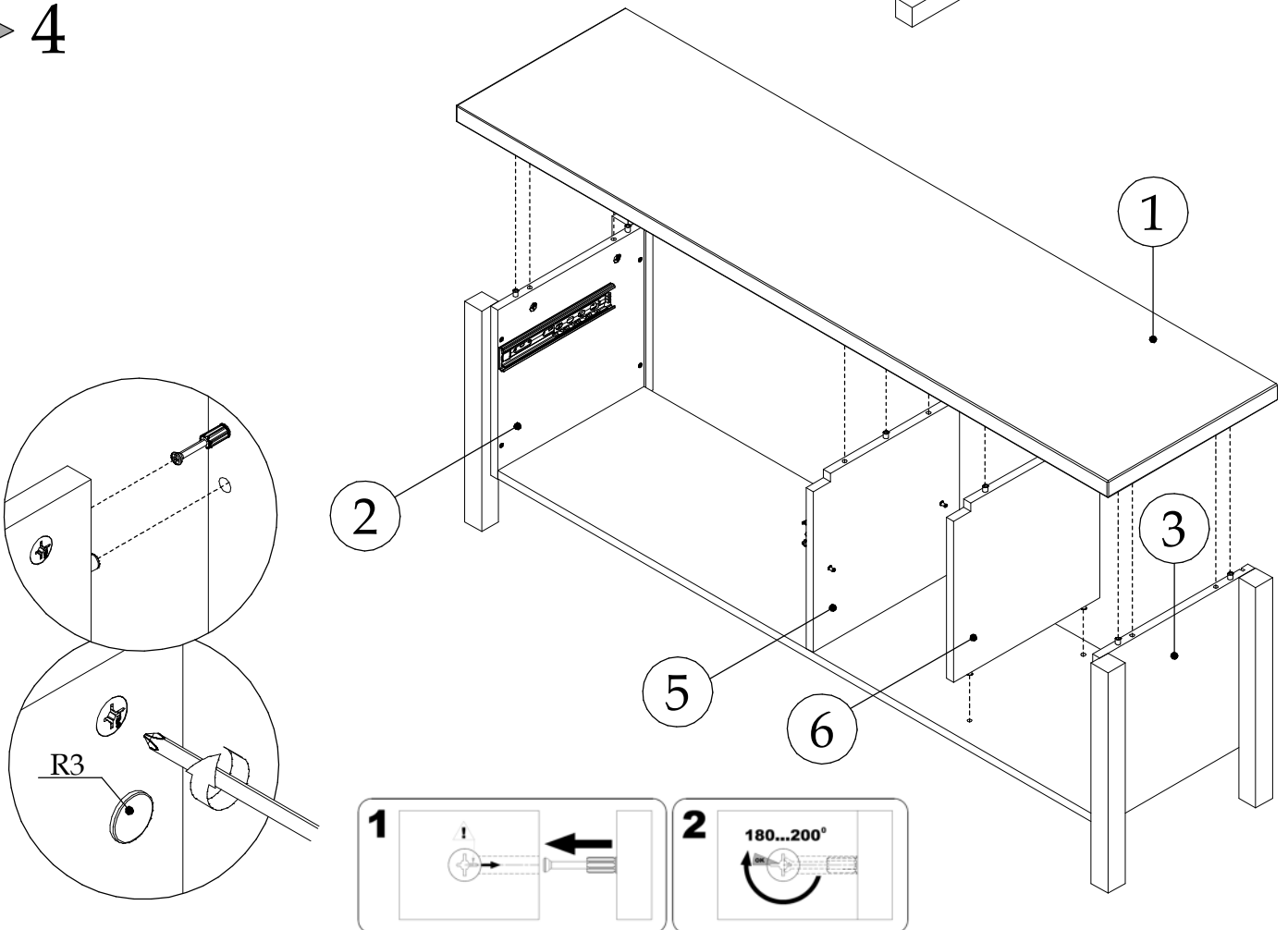


▶ 2

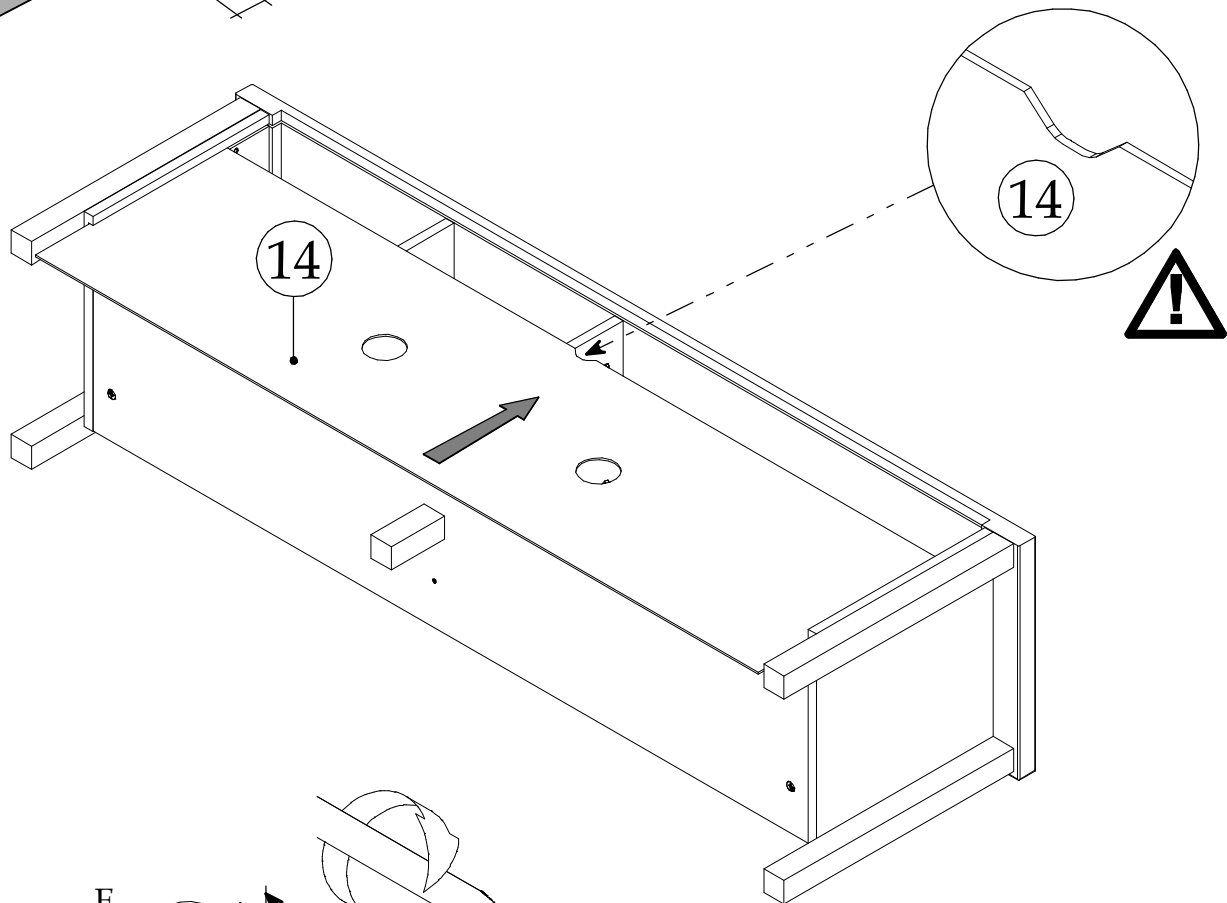
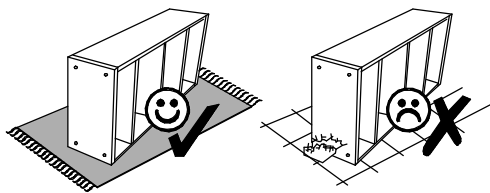




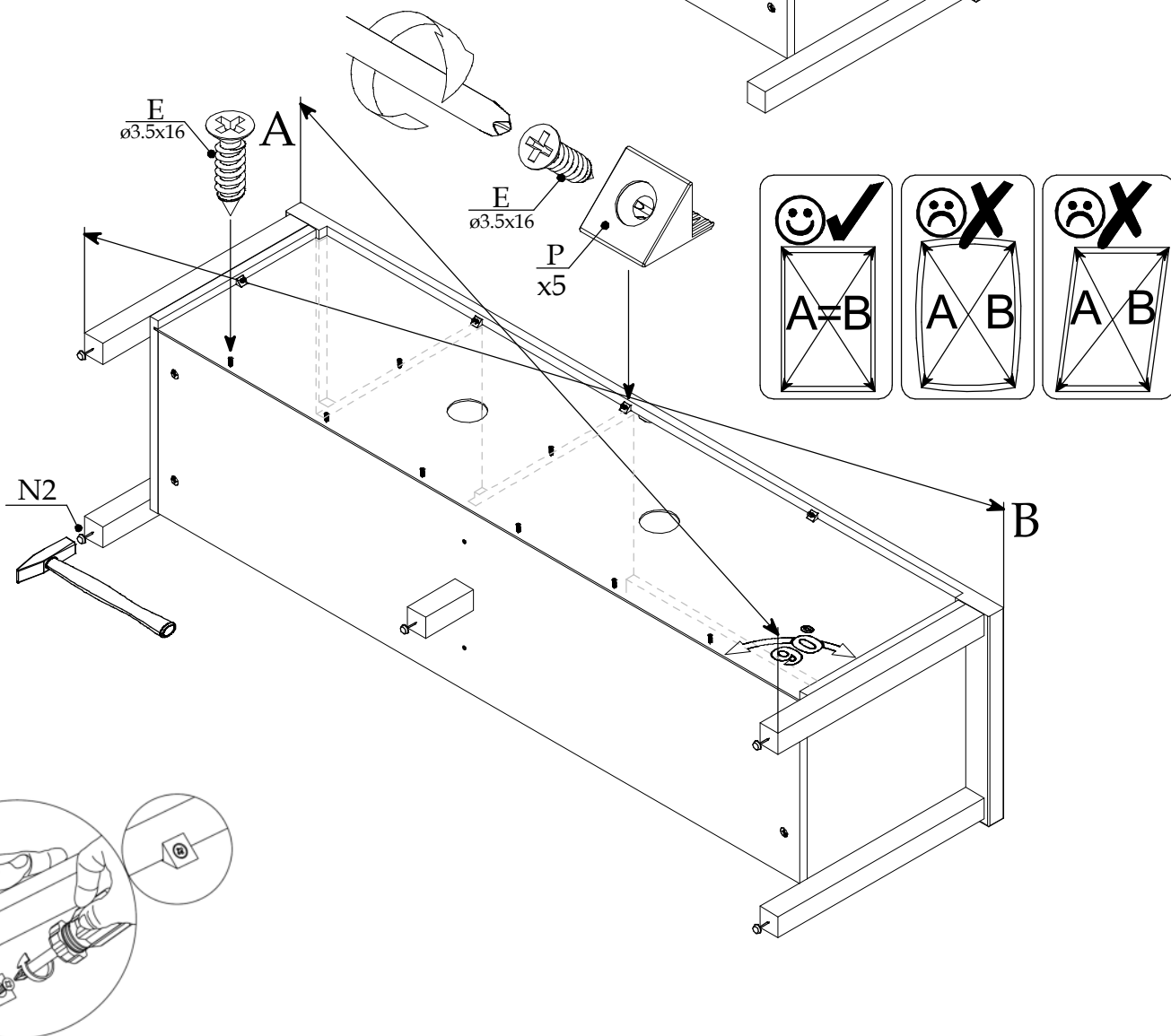
4

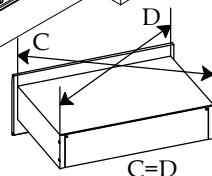
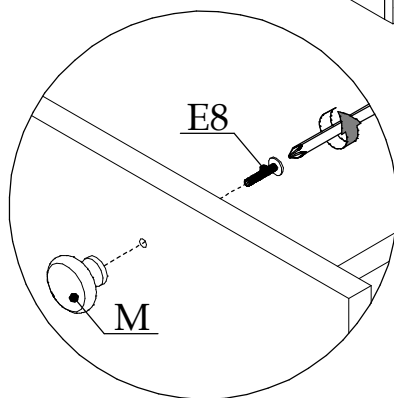
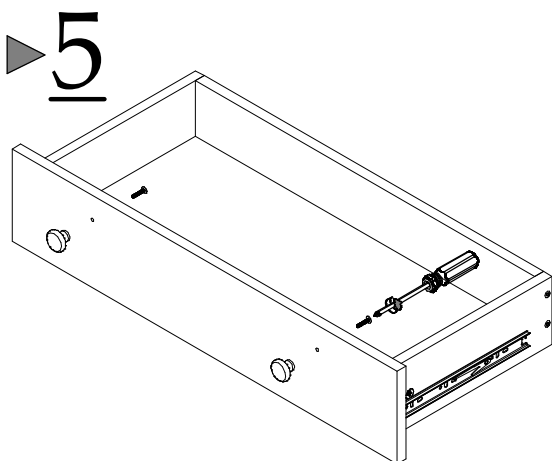
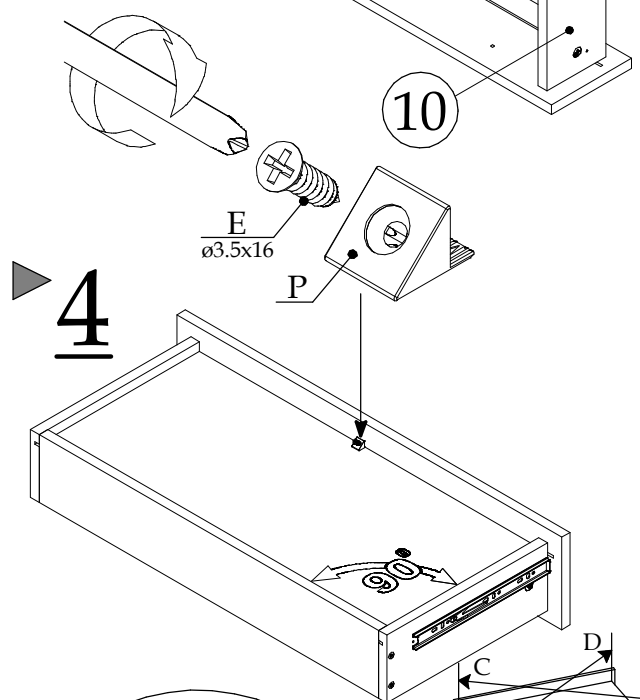
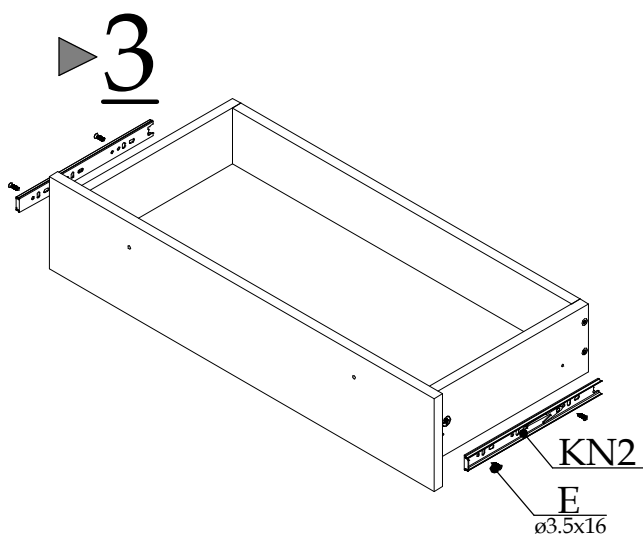
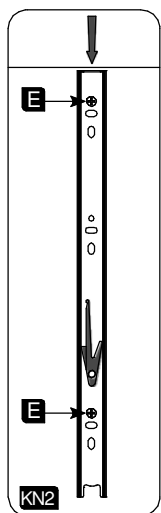
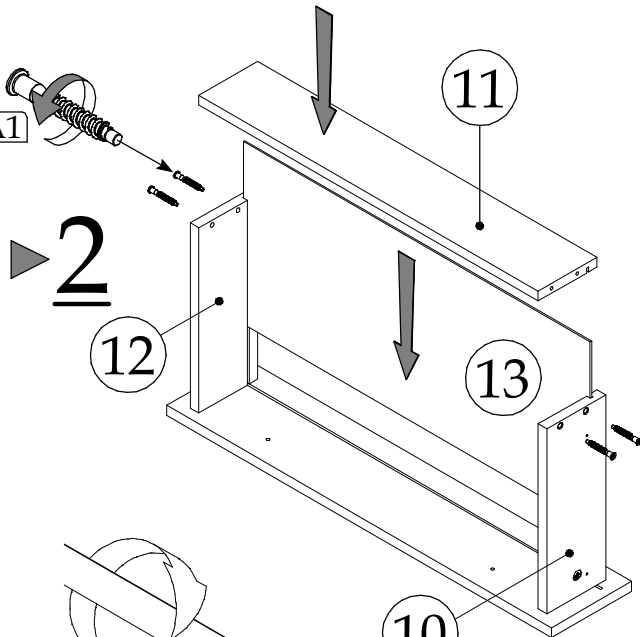
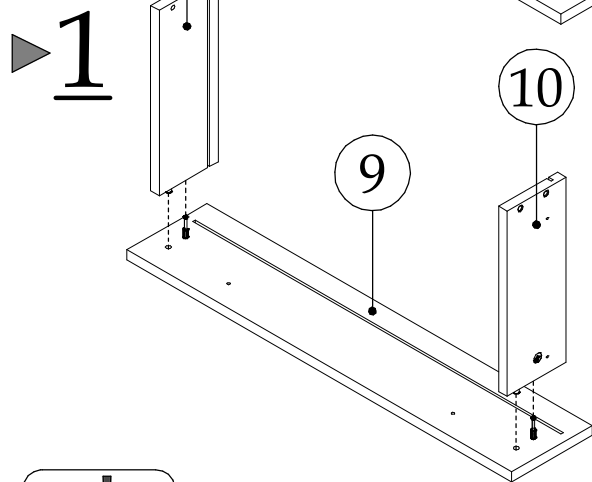
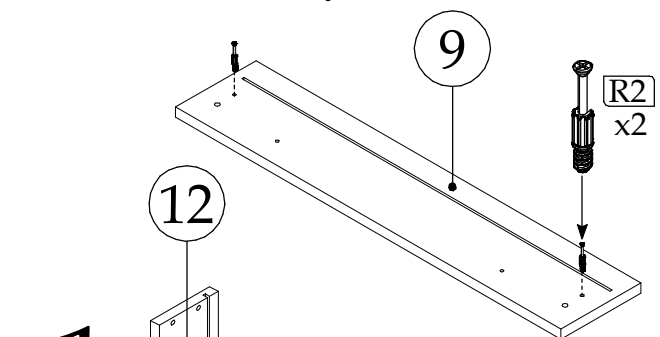
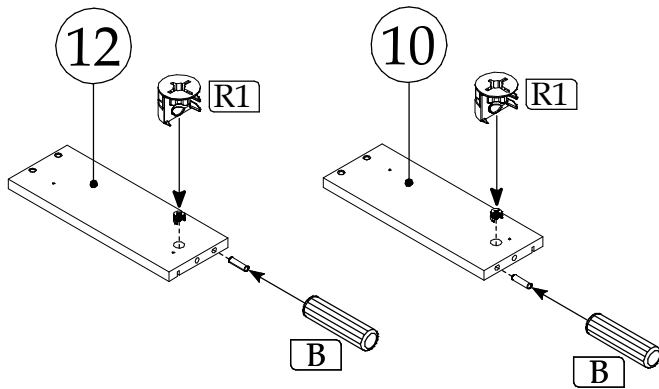
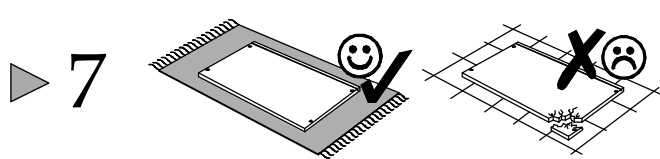


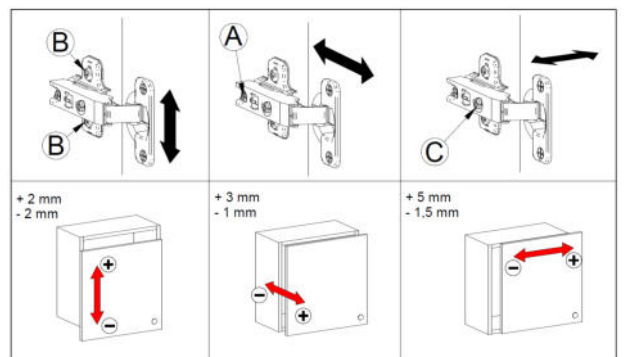
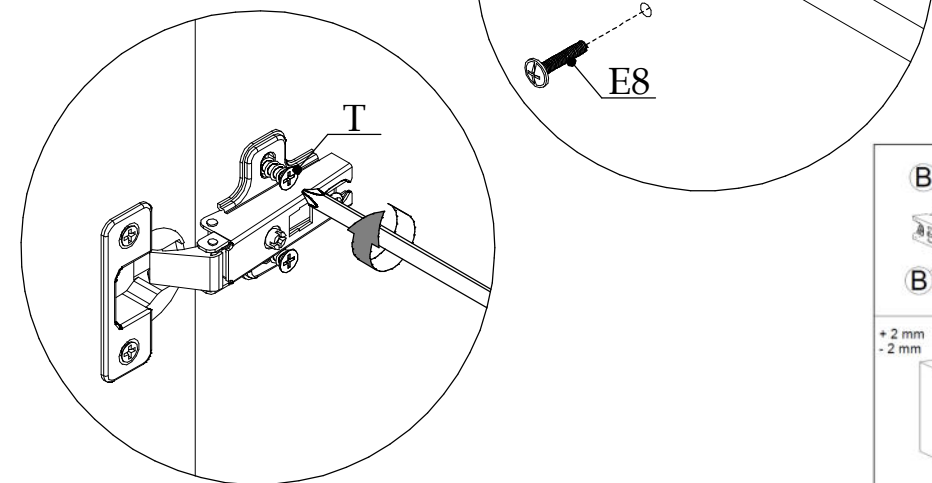
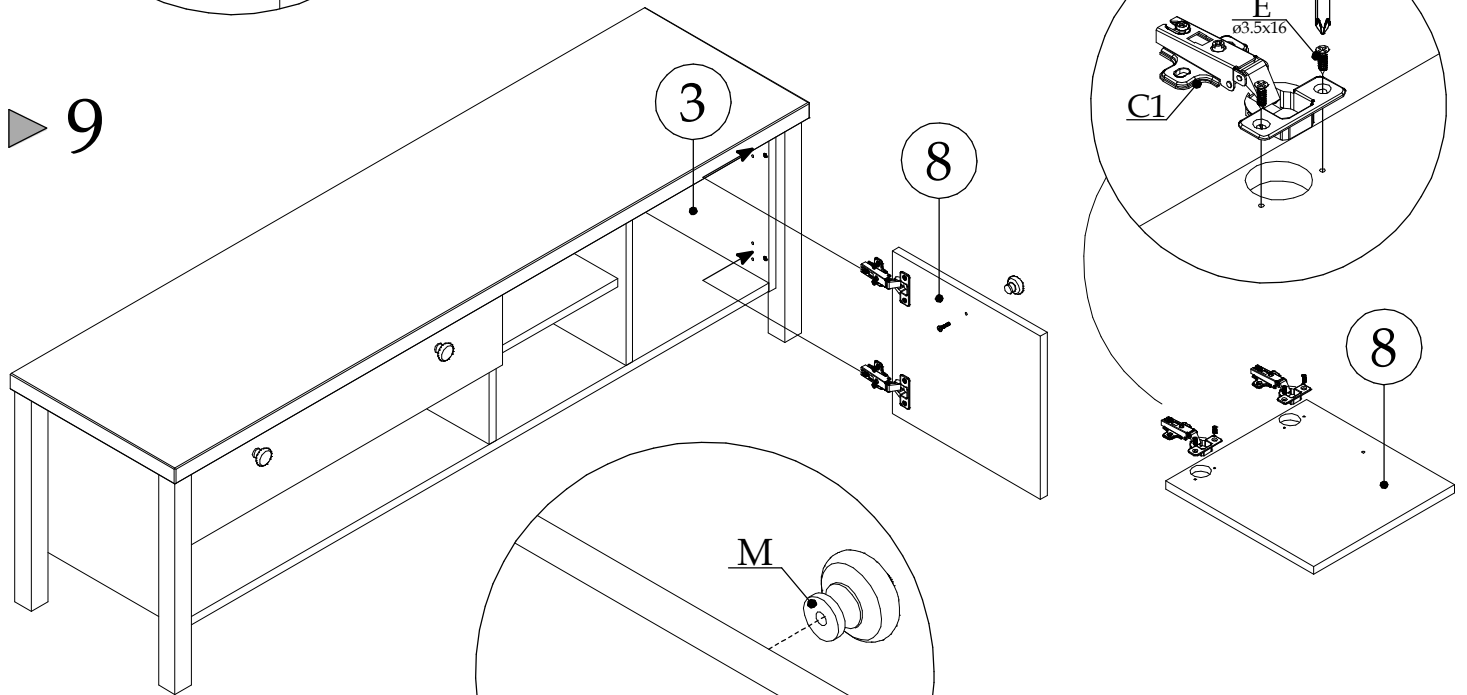
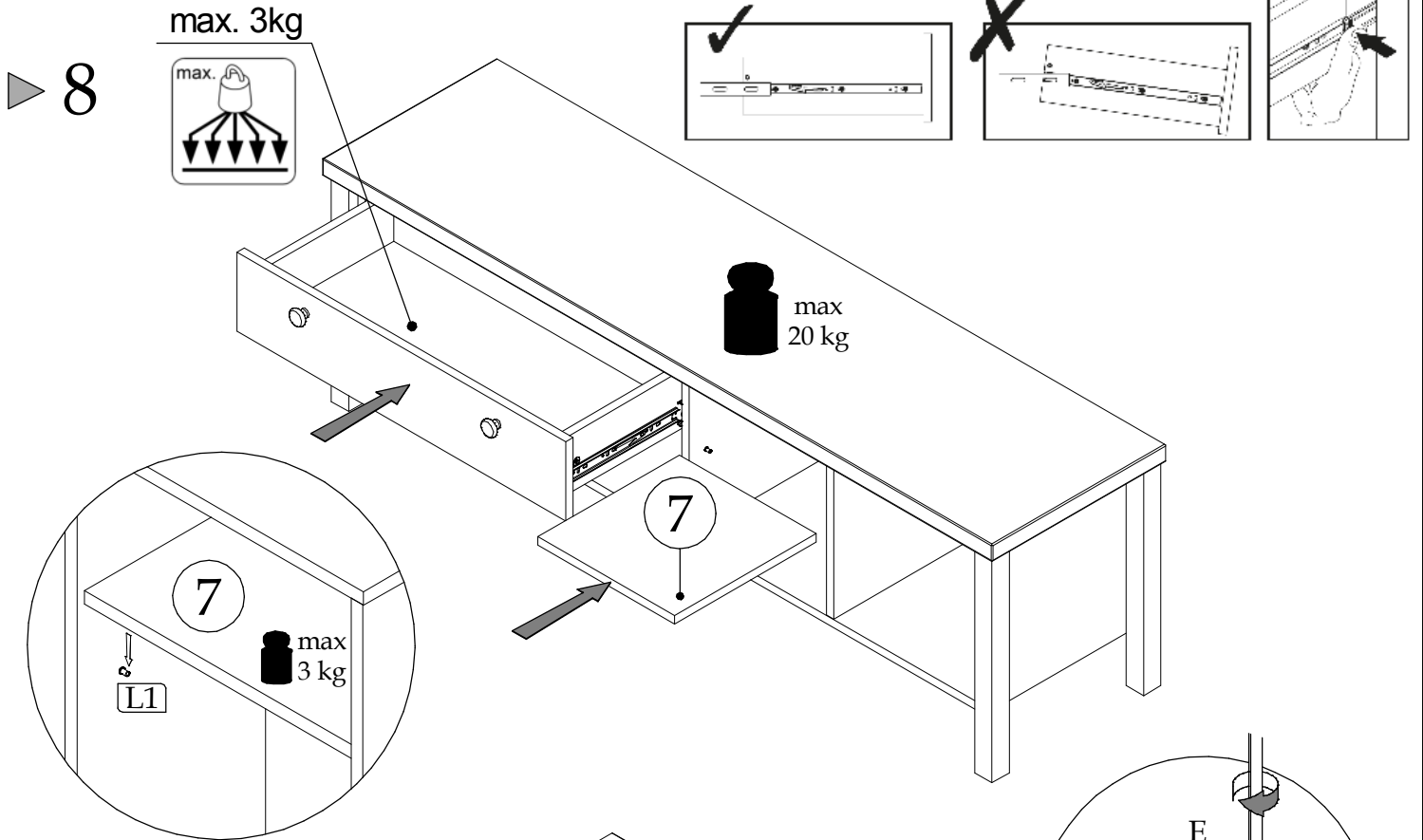
5



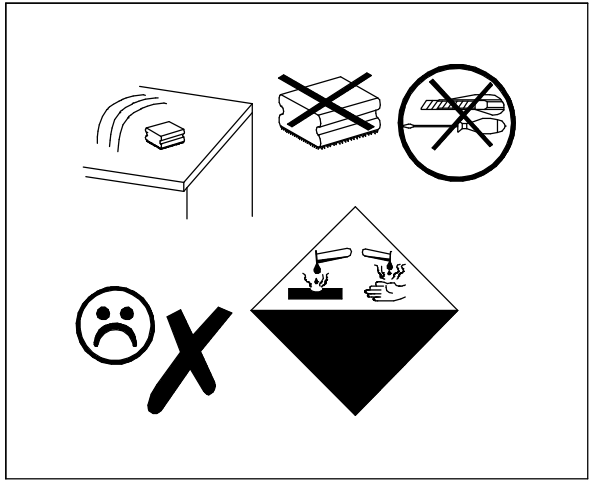
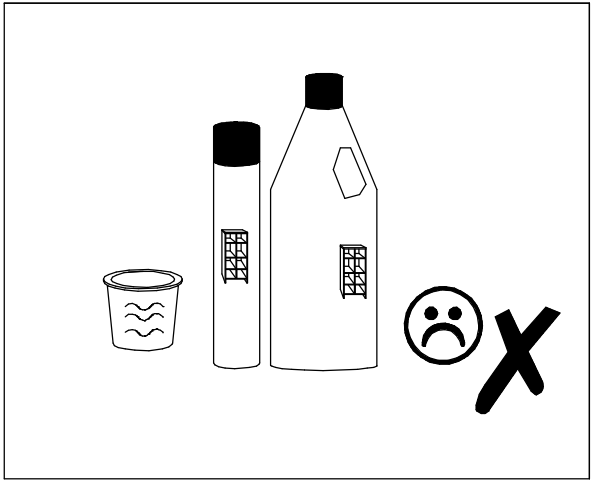
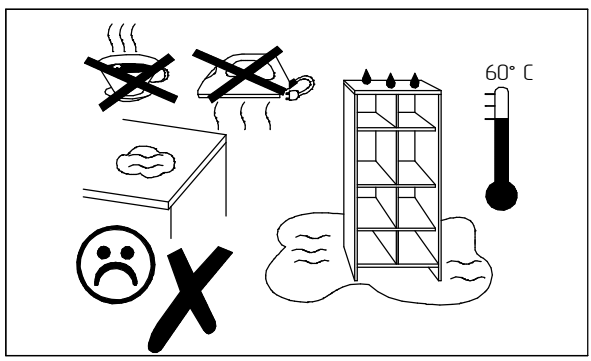
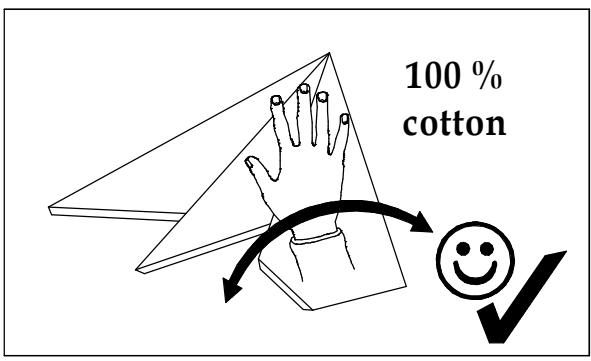
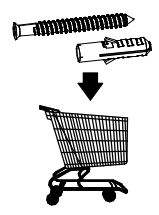
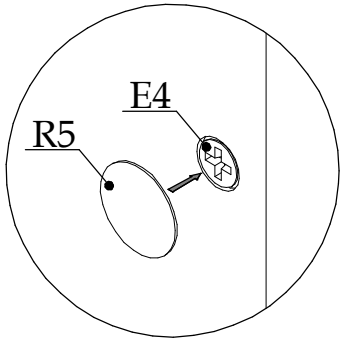
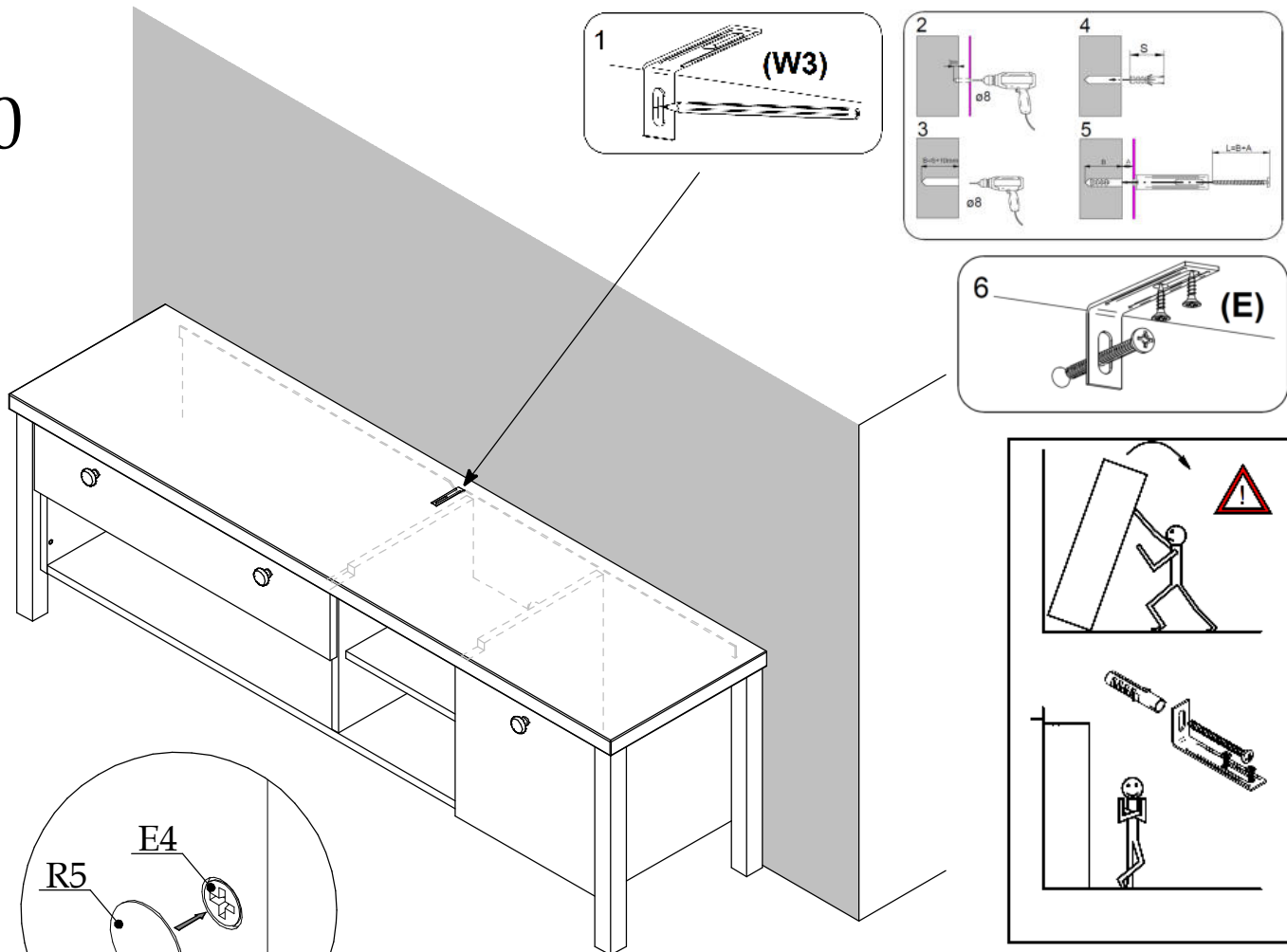
6



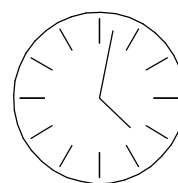
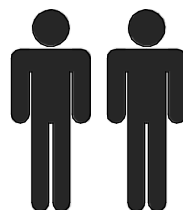
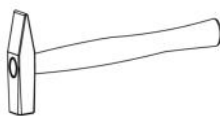
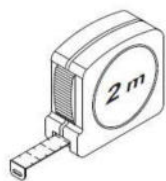
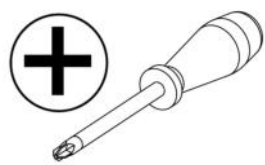




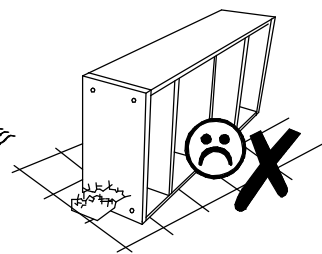
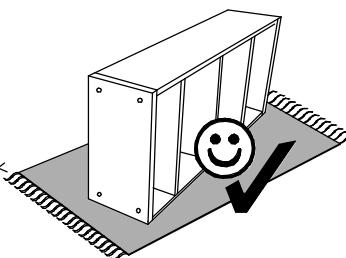
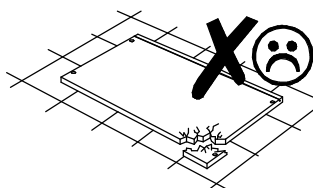
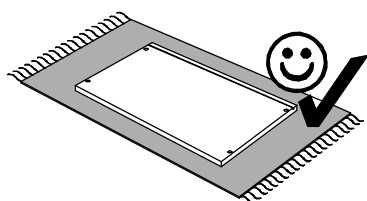
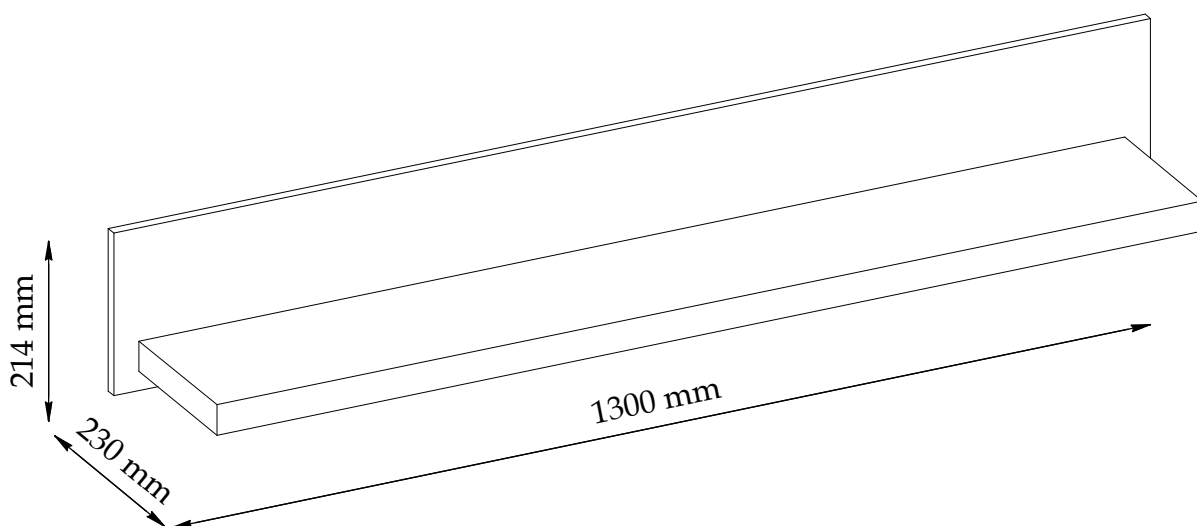
► 10

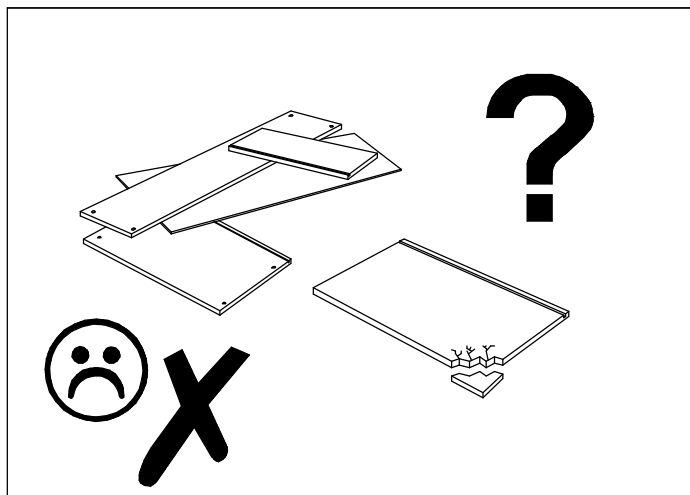
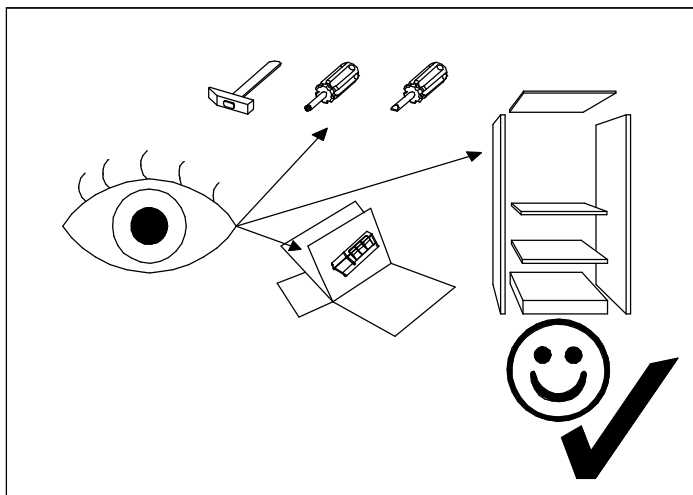
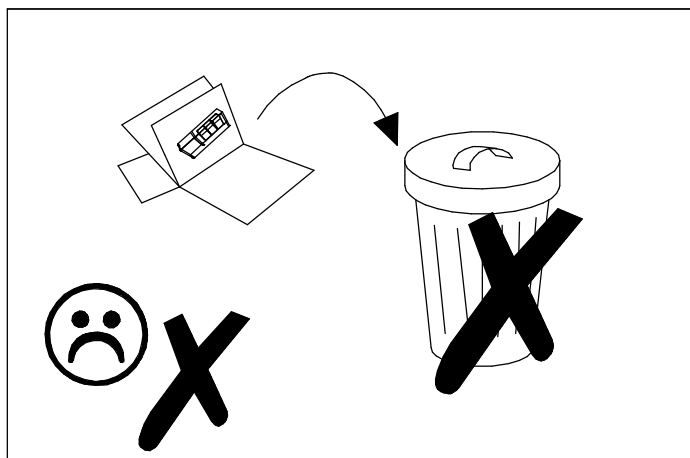
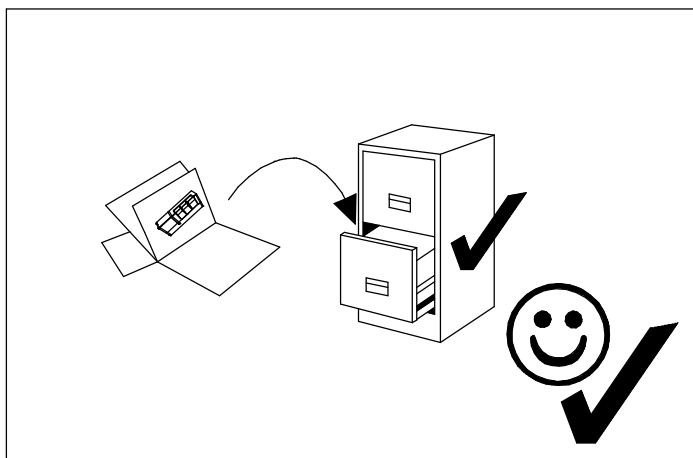
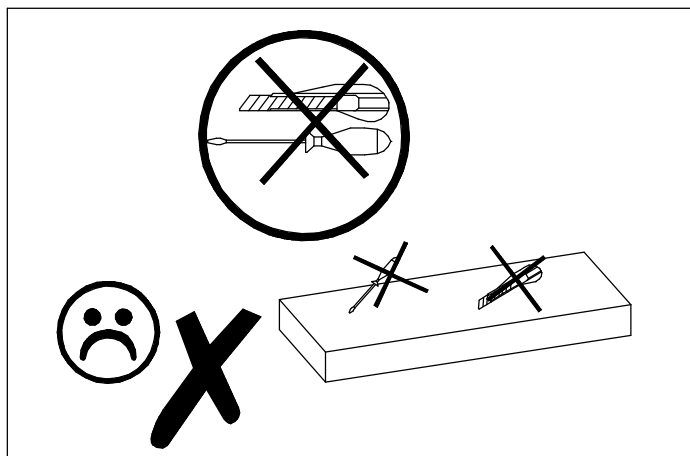
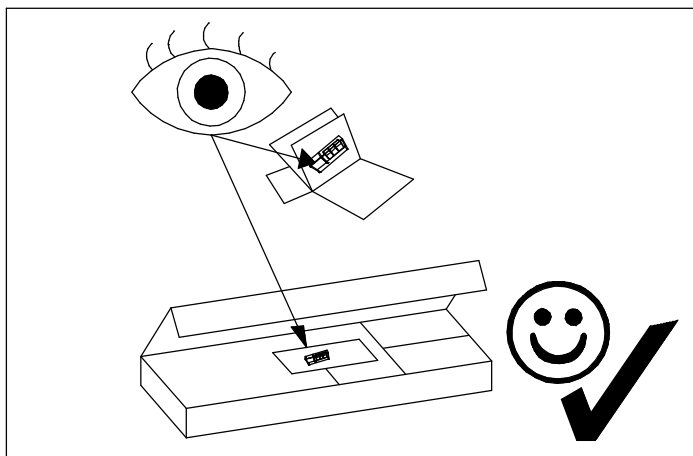


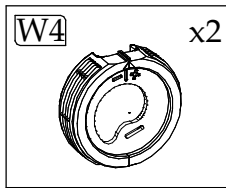
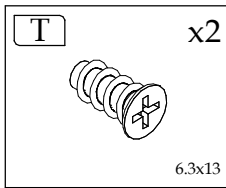
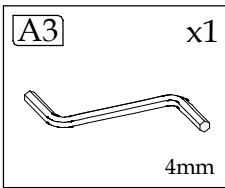
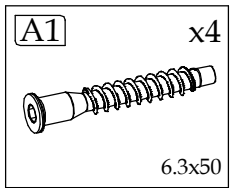
MELINI D



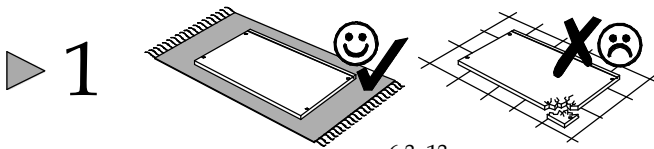
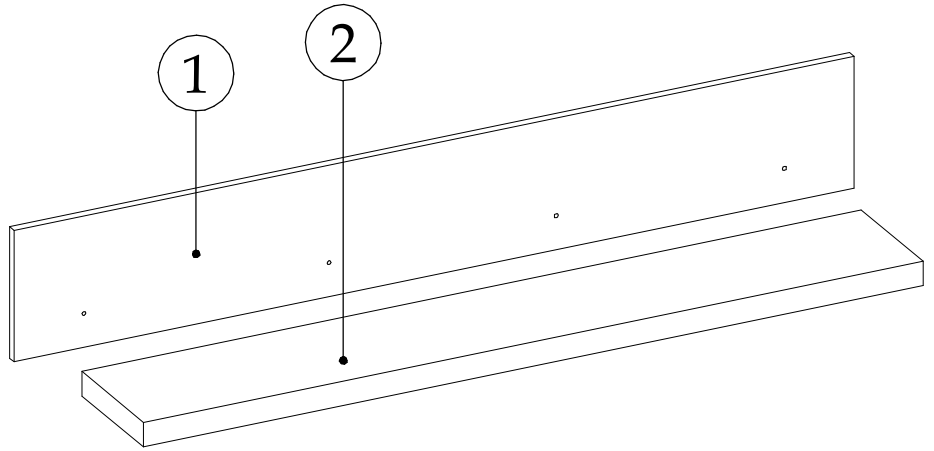
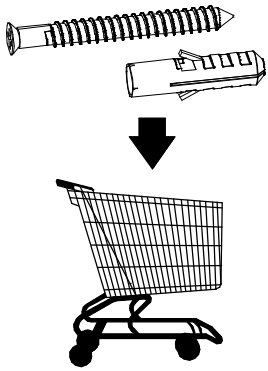
20 min



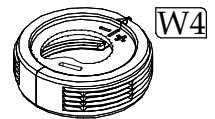
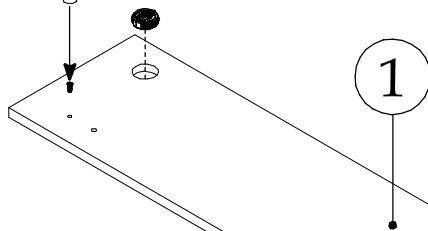




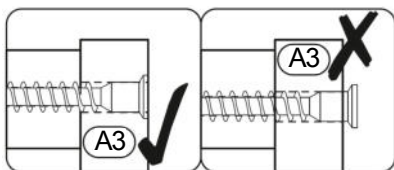
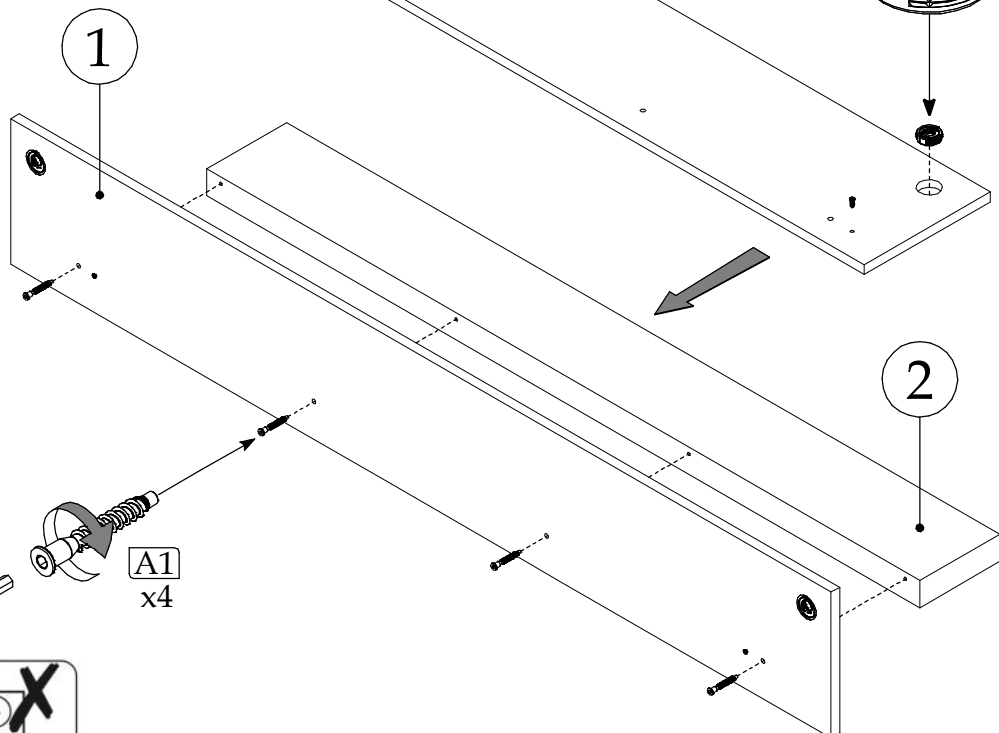
Element symbol	Measurements				Code	Paket
1	1300	214	16	1	1001	1/1
2	1270	214	32	1	1002	1/1

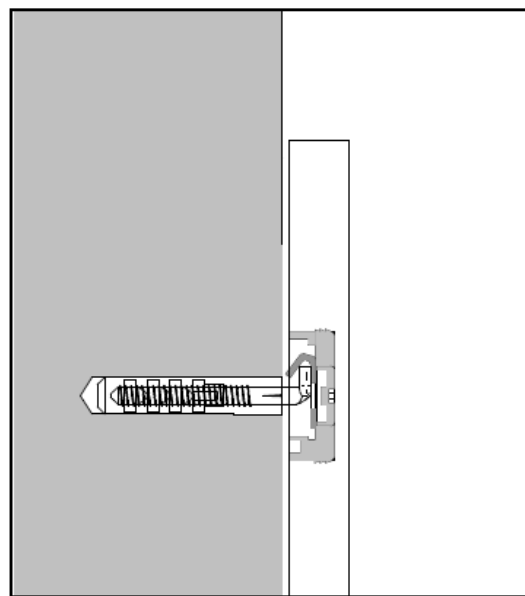
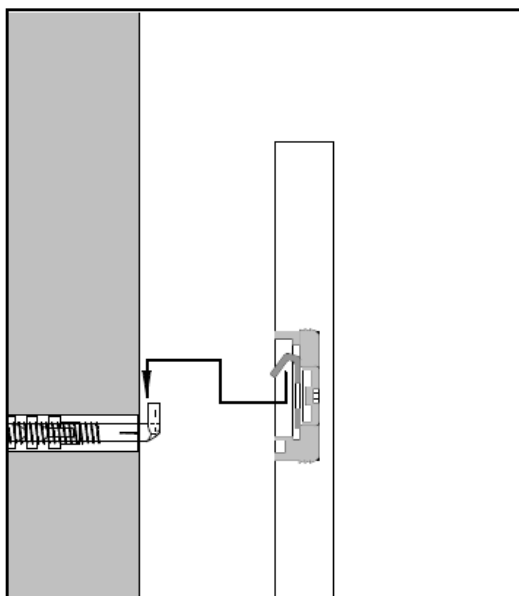
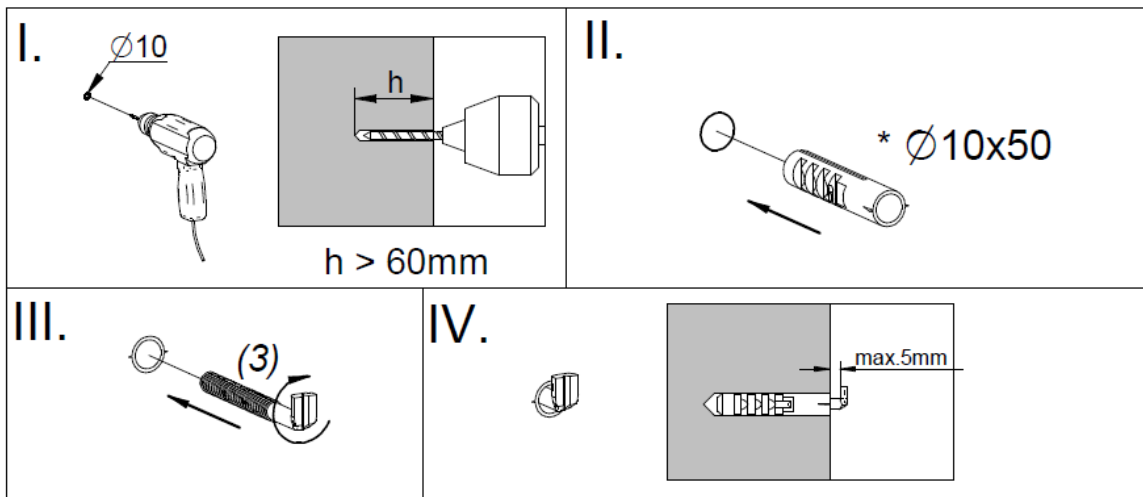
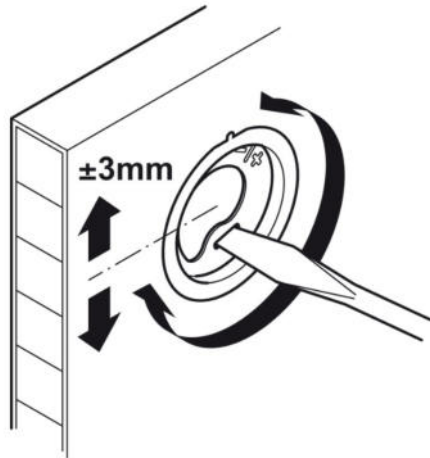
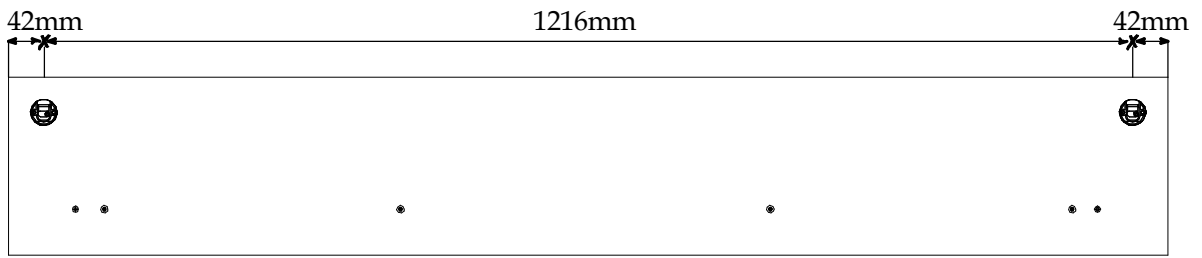


ø6.3x13
T

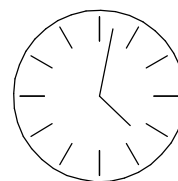
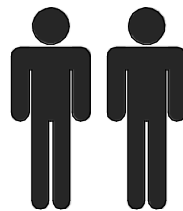
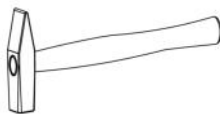
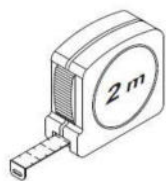
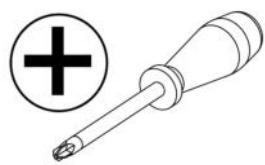


▶ 2

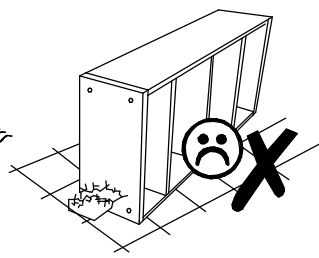
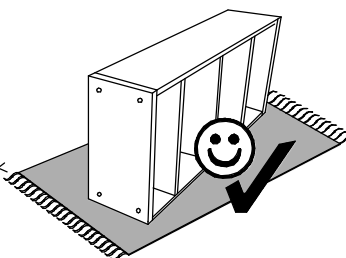
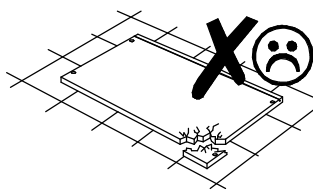
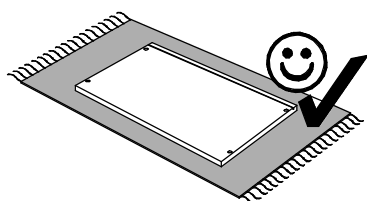
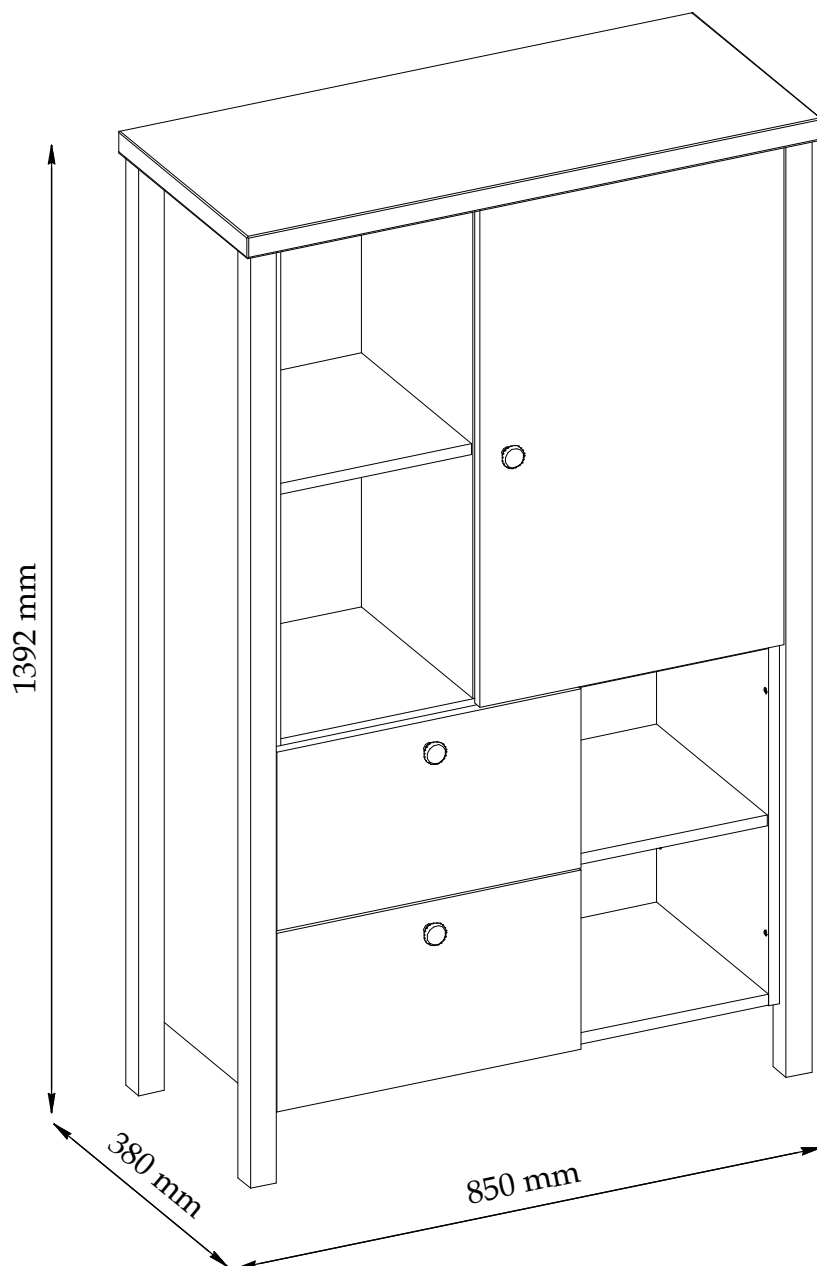


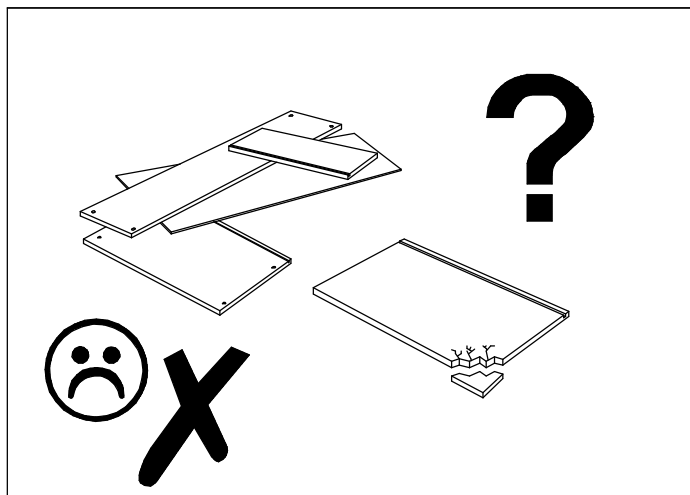
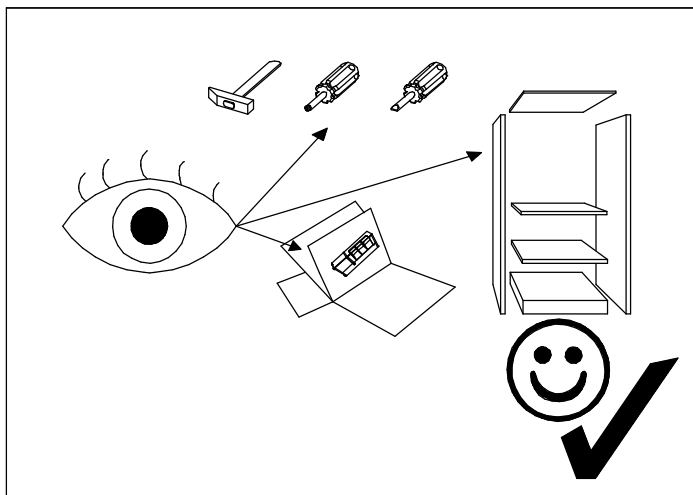
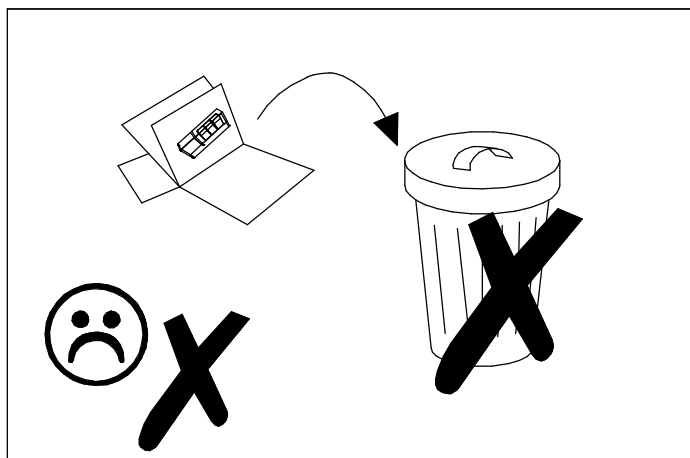
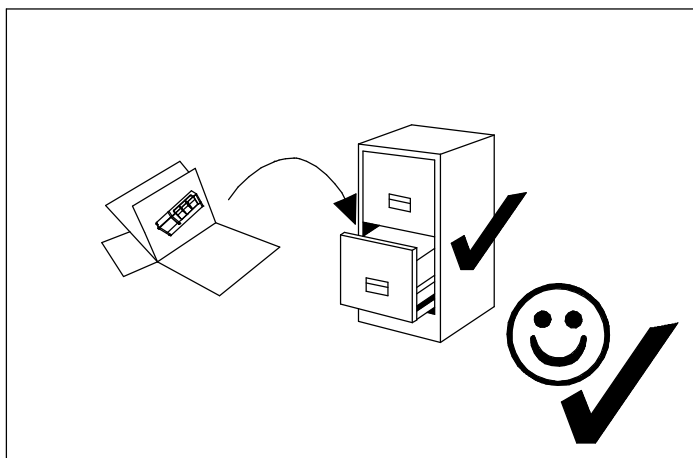
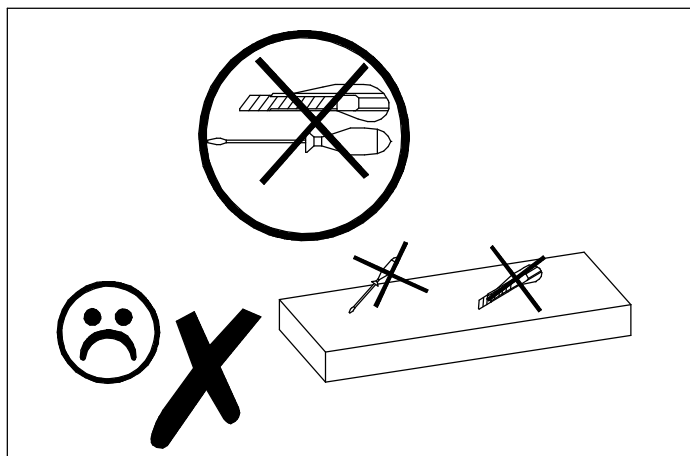
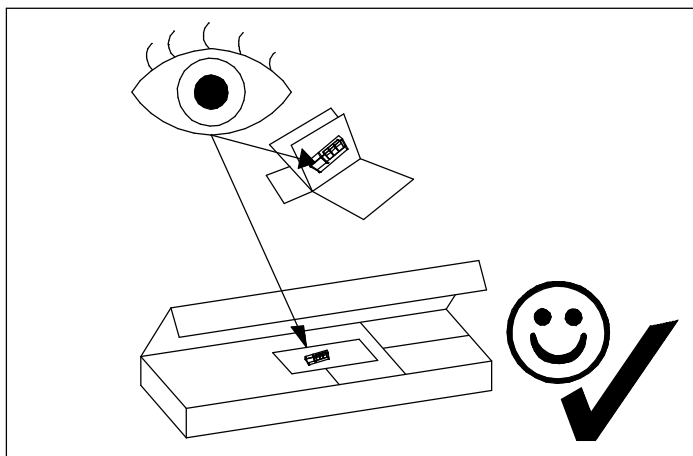


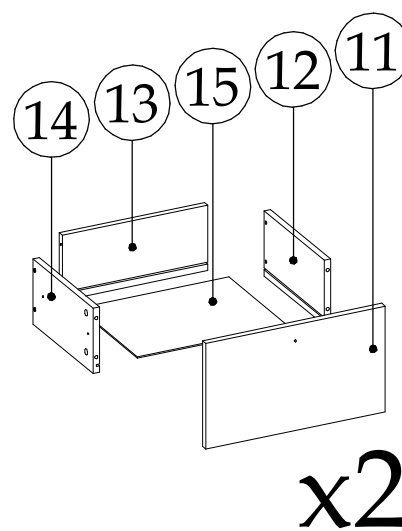
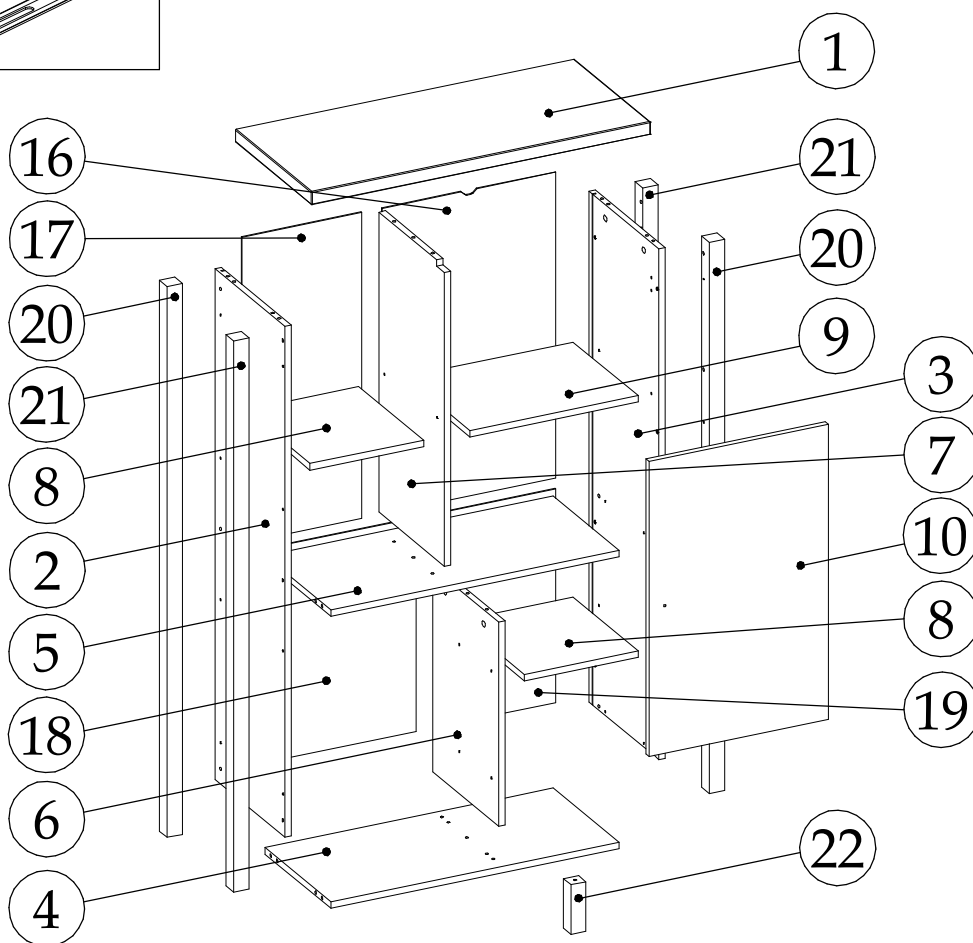
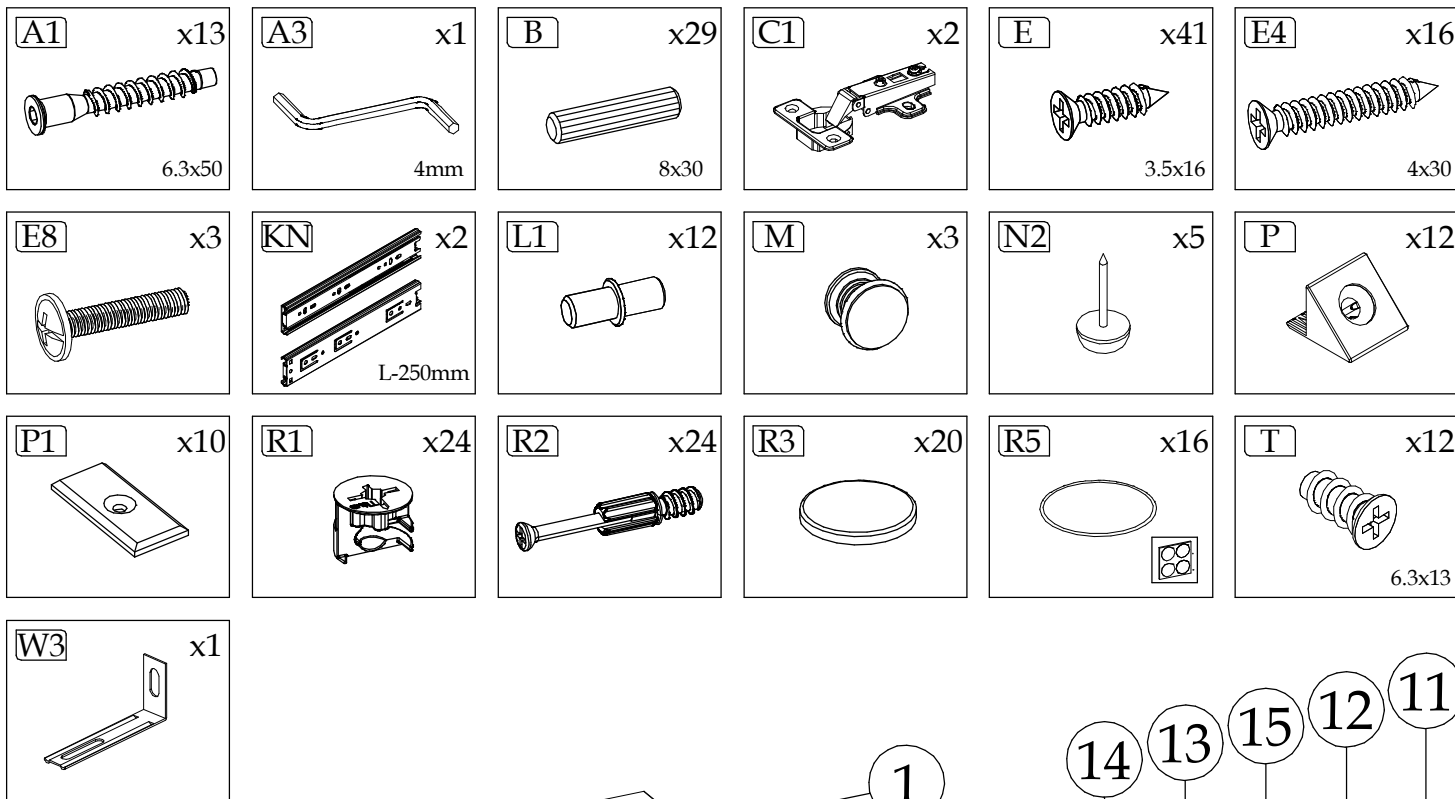
MELINI C



120 min



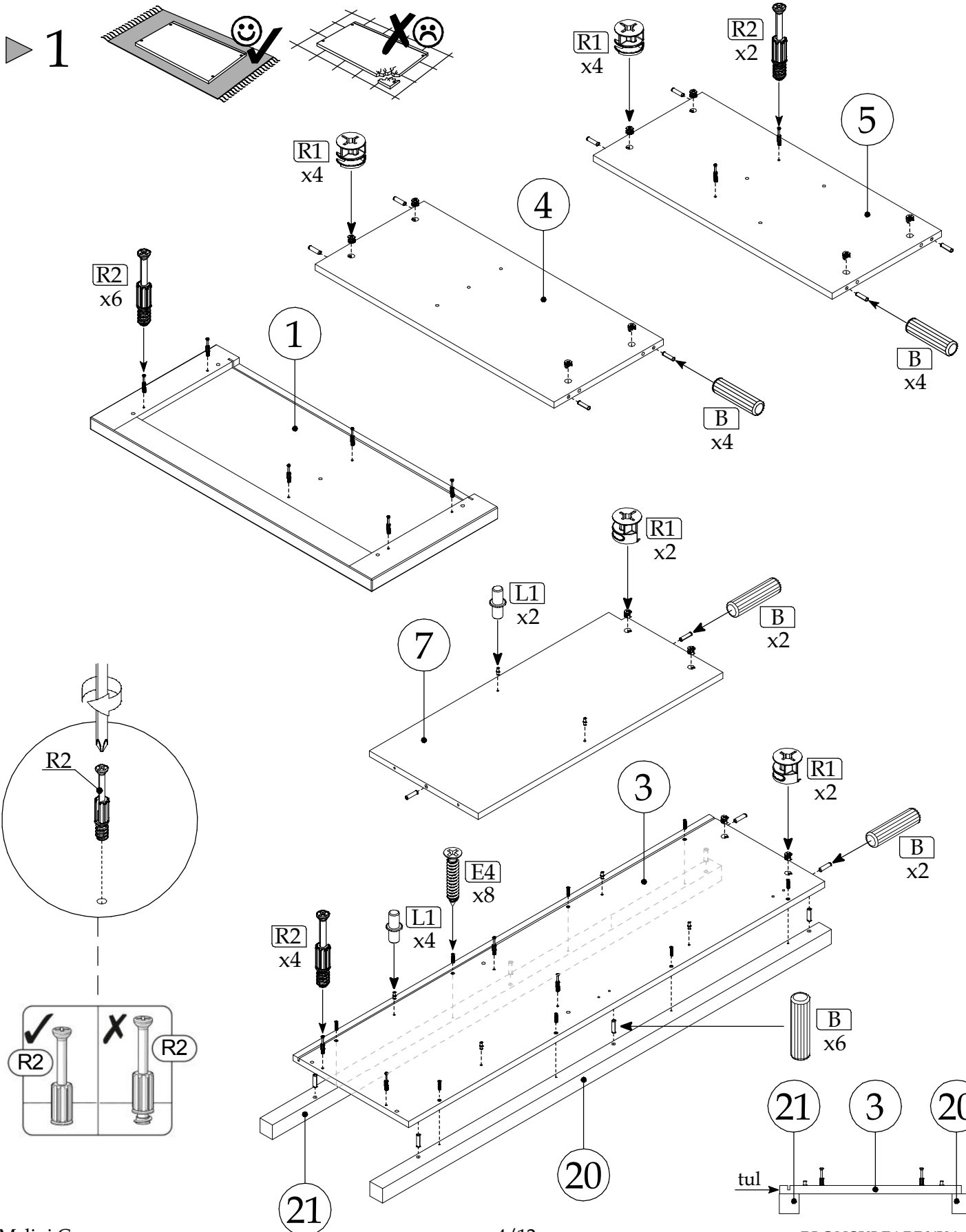
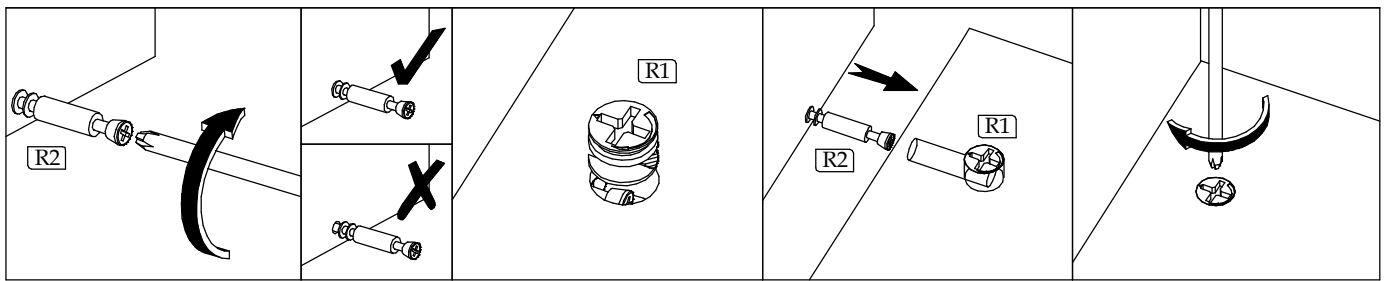




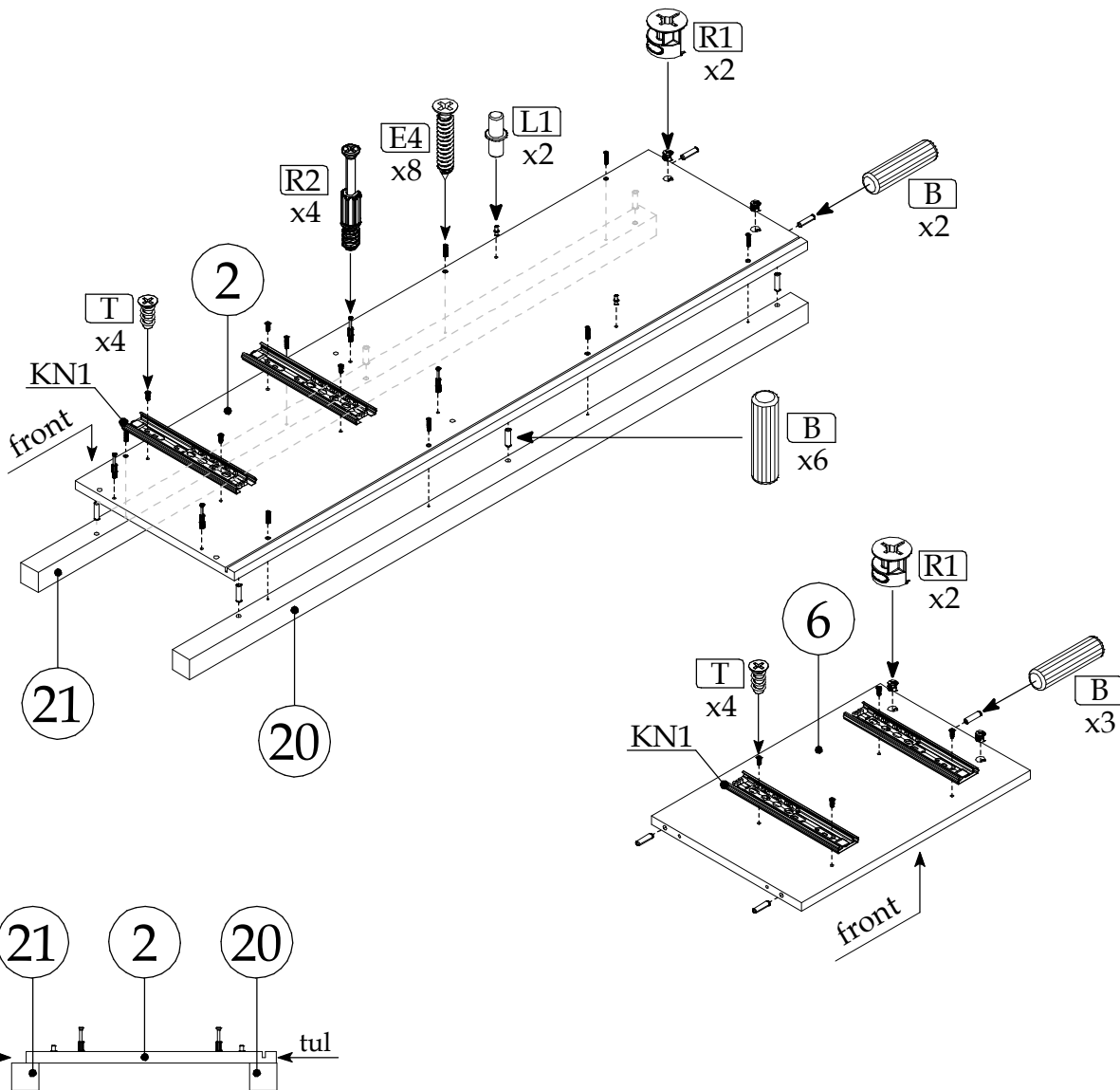
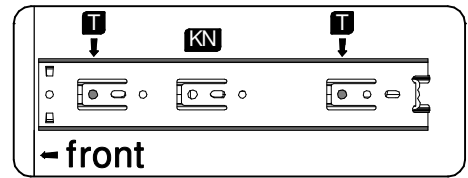
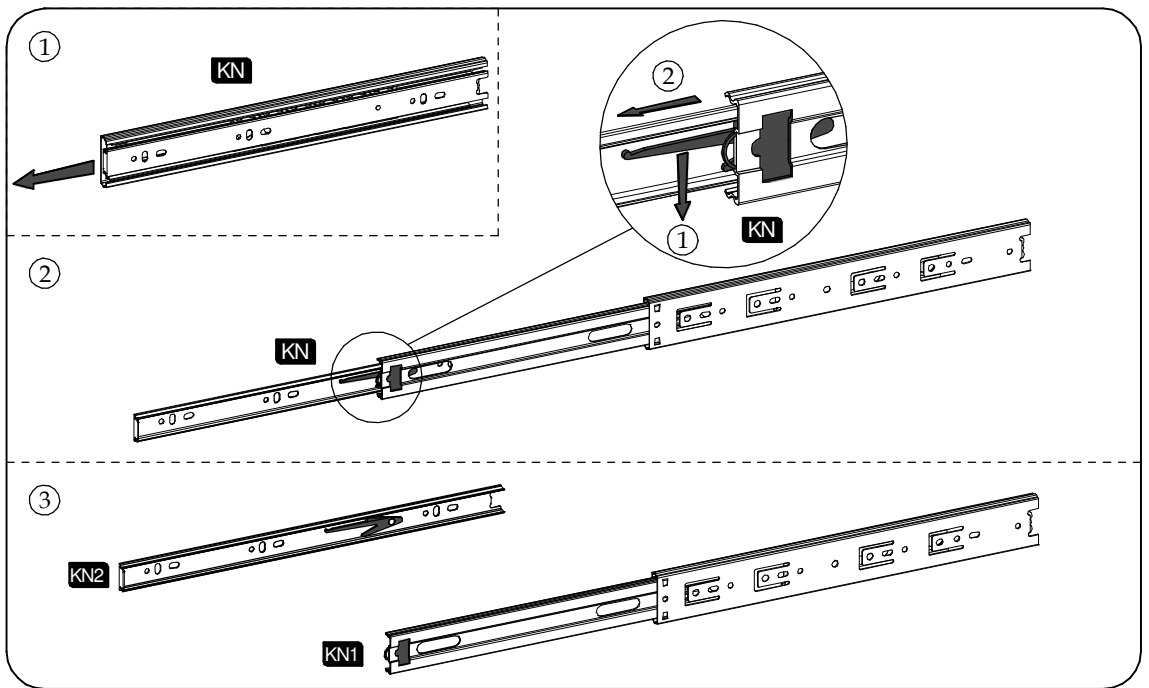
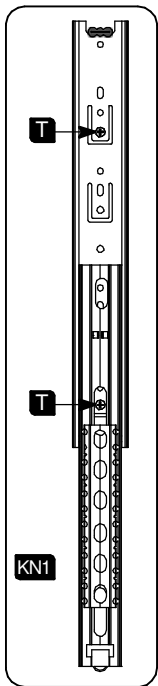
Element symbol	Measurements	Code	Paket
1	850 380 32 1	1025	1/3
2	1256 348.5 16 1	1004	2/3
3	1256 348.5 16 1	1005	2/3
4	722 329 16 1	1006	1/3
5	722 329 16 1	1007	1/3
6	501.5 328.5 16 1	1028	1/3
7	737.5 328.5 16 1	1040	2/3

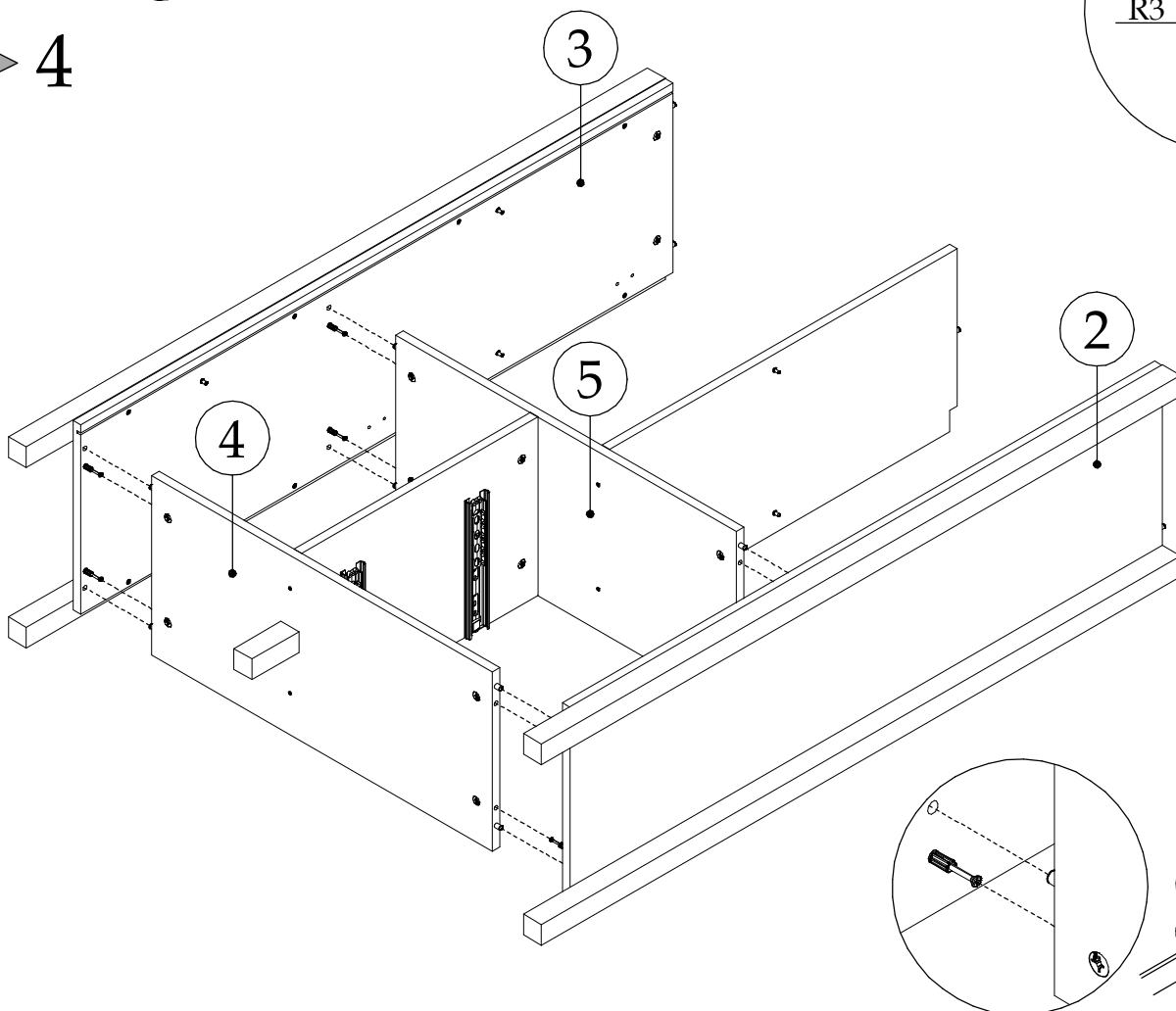
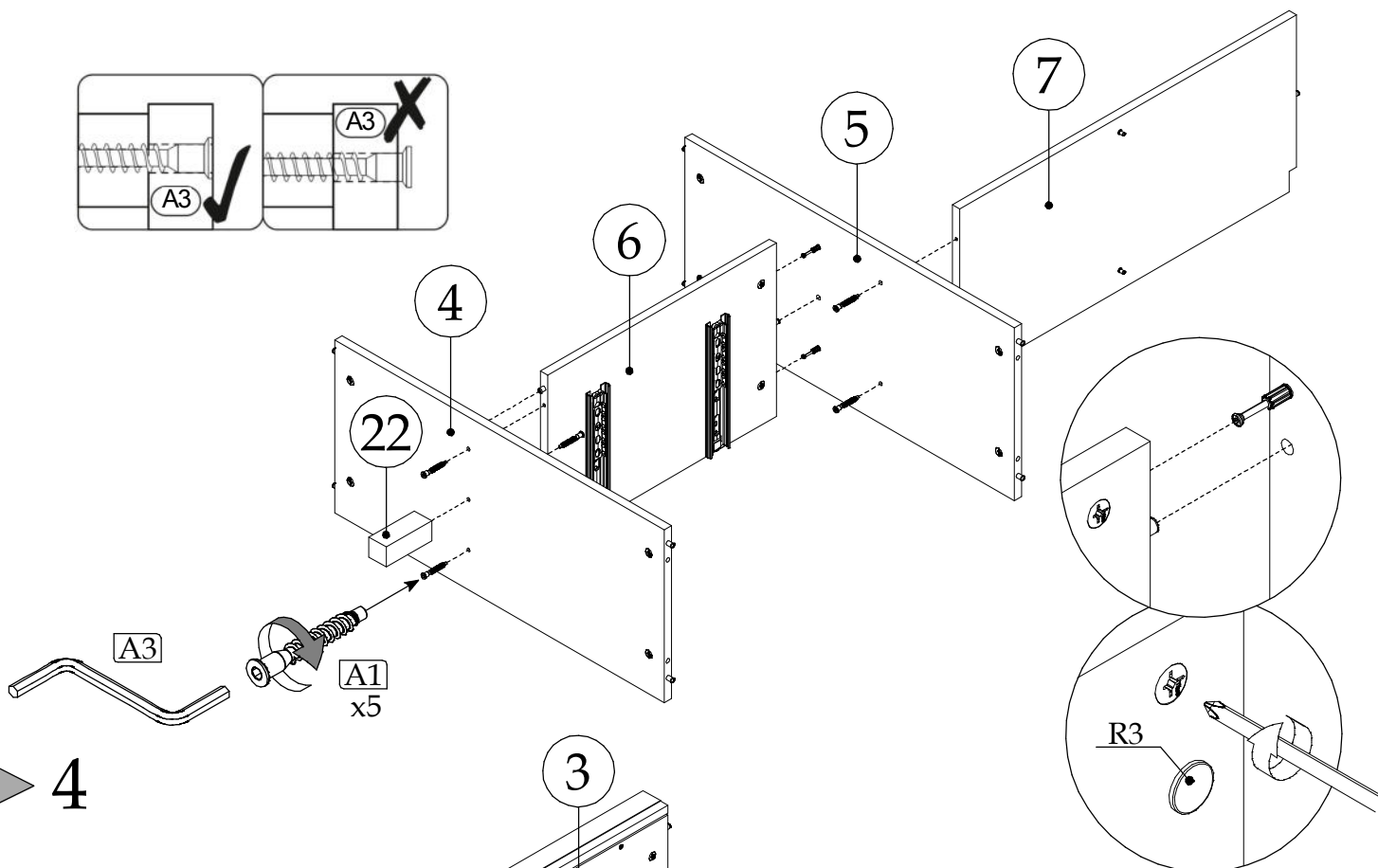
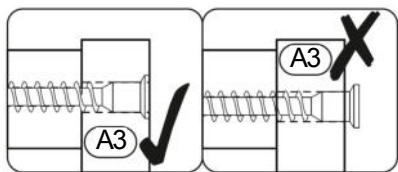
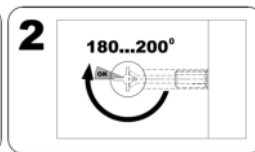
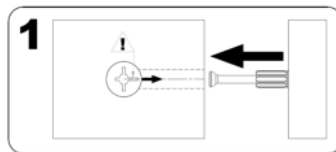
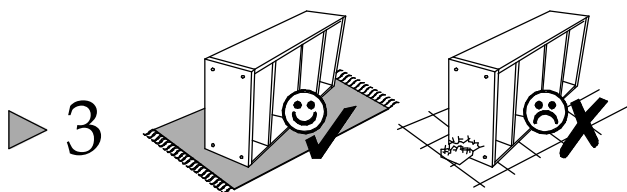
8	285	320	16	2		1/3
9	421	320	16	1		2/3
10	726	450	16	1	1041	3/3
11	450	260	16	2	1029	3/3
12	300	160	16	2	1030	1/3
13	363.5	160	16	2	1031	3/3
14	300	160	16	2	1032	1/3
15	377.5	296	3	2		1/3

16	752	436	3	1	1008	3/3
17	752	300	3	1		3/3
18	526	436	3	1		3/3
19	526	300	3	1		1/3
20	1355	38	38	2	4001	2/3
21	1355	38	38	2	4002	2/3
22	100	38	38	1	4003	2/3

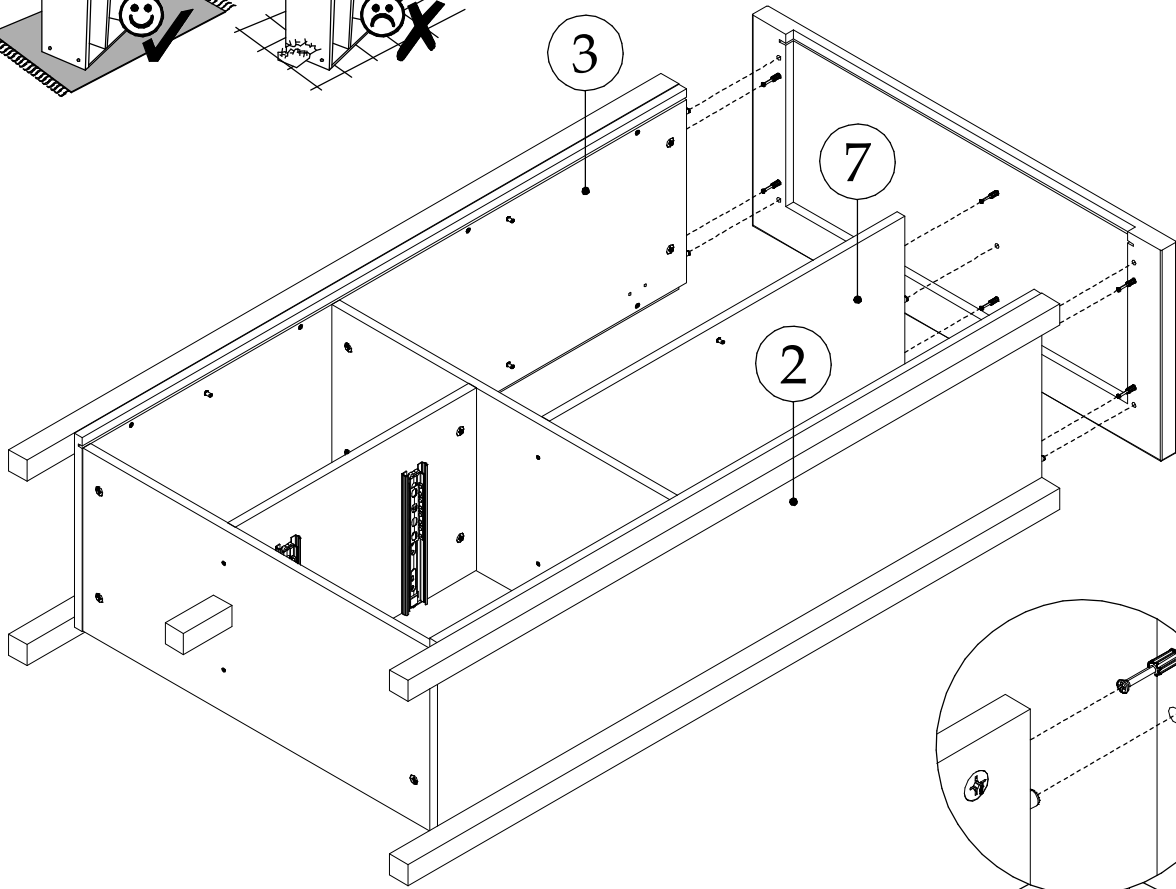
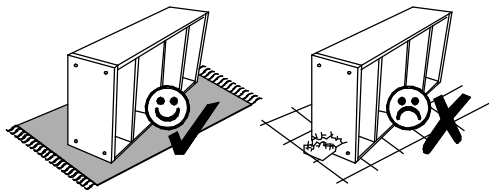


▶ 2

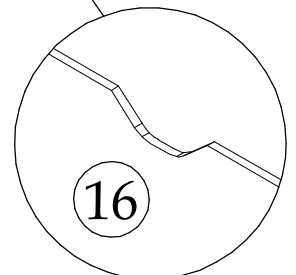
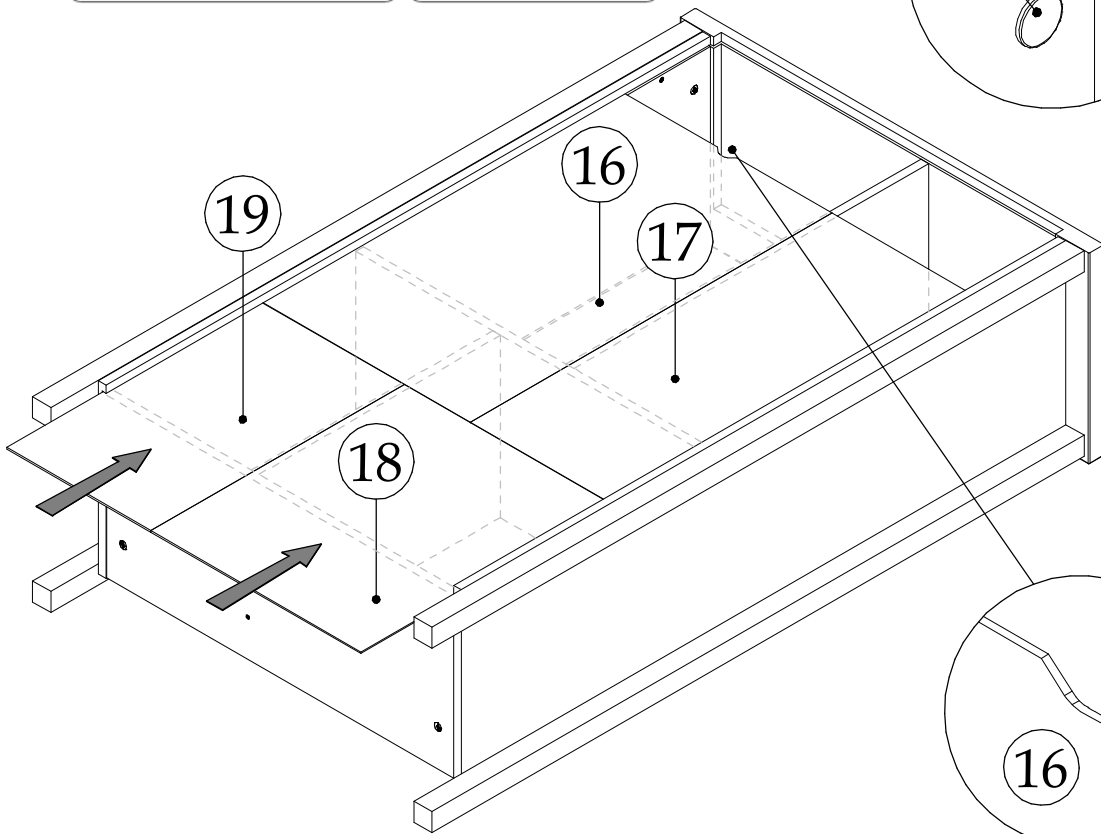
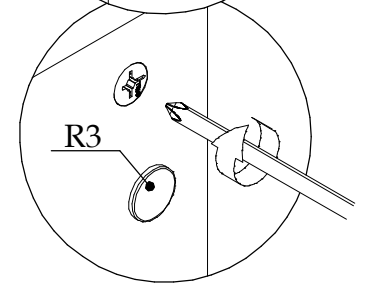
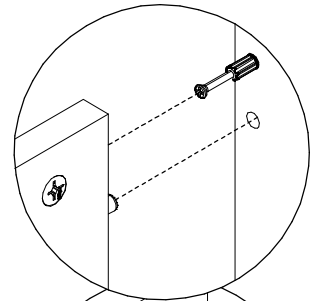
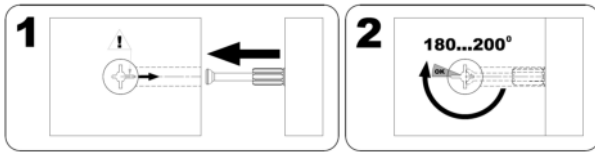


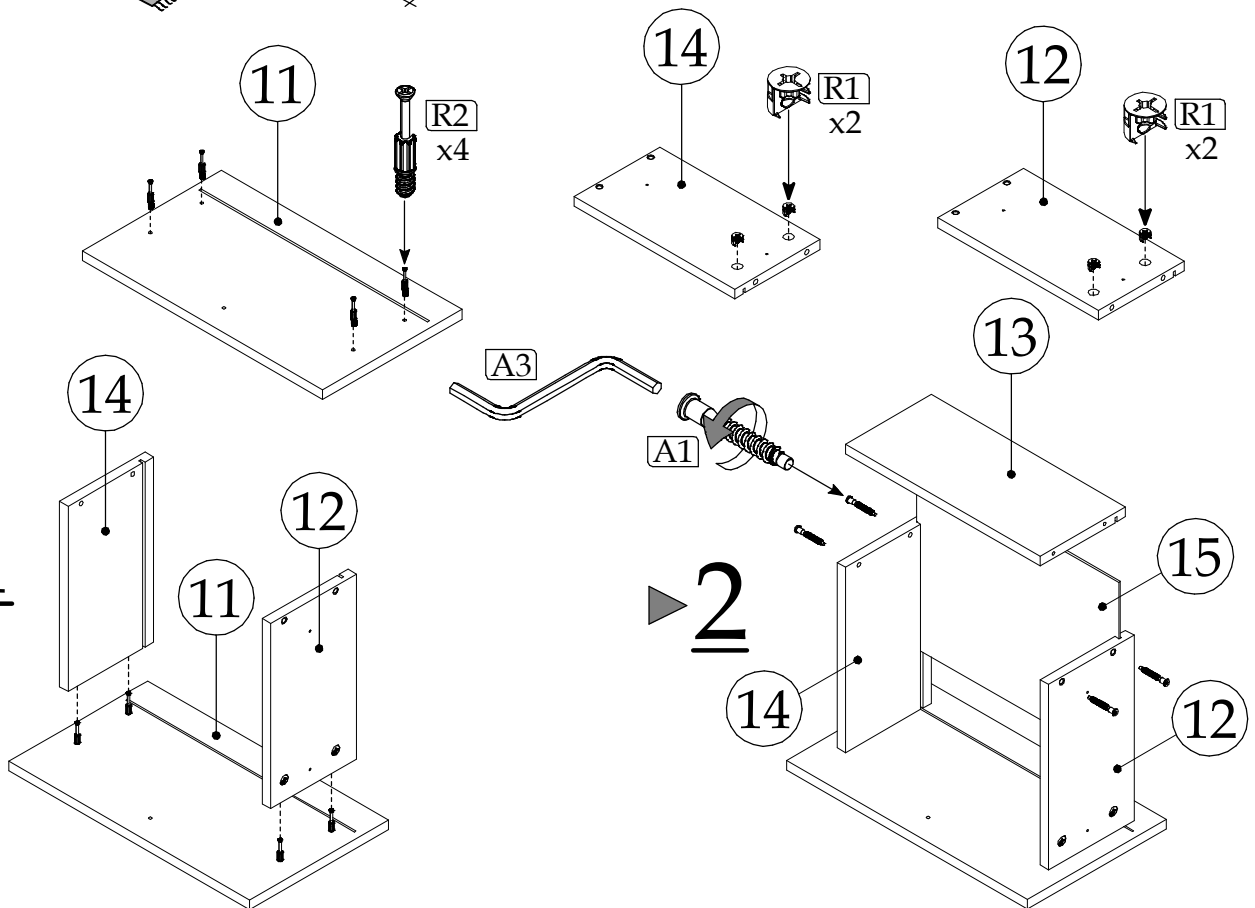
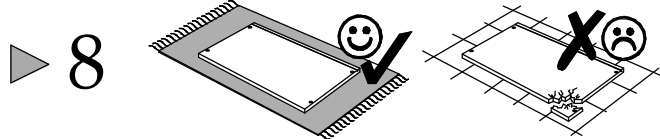
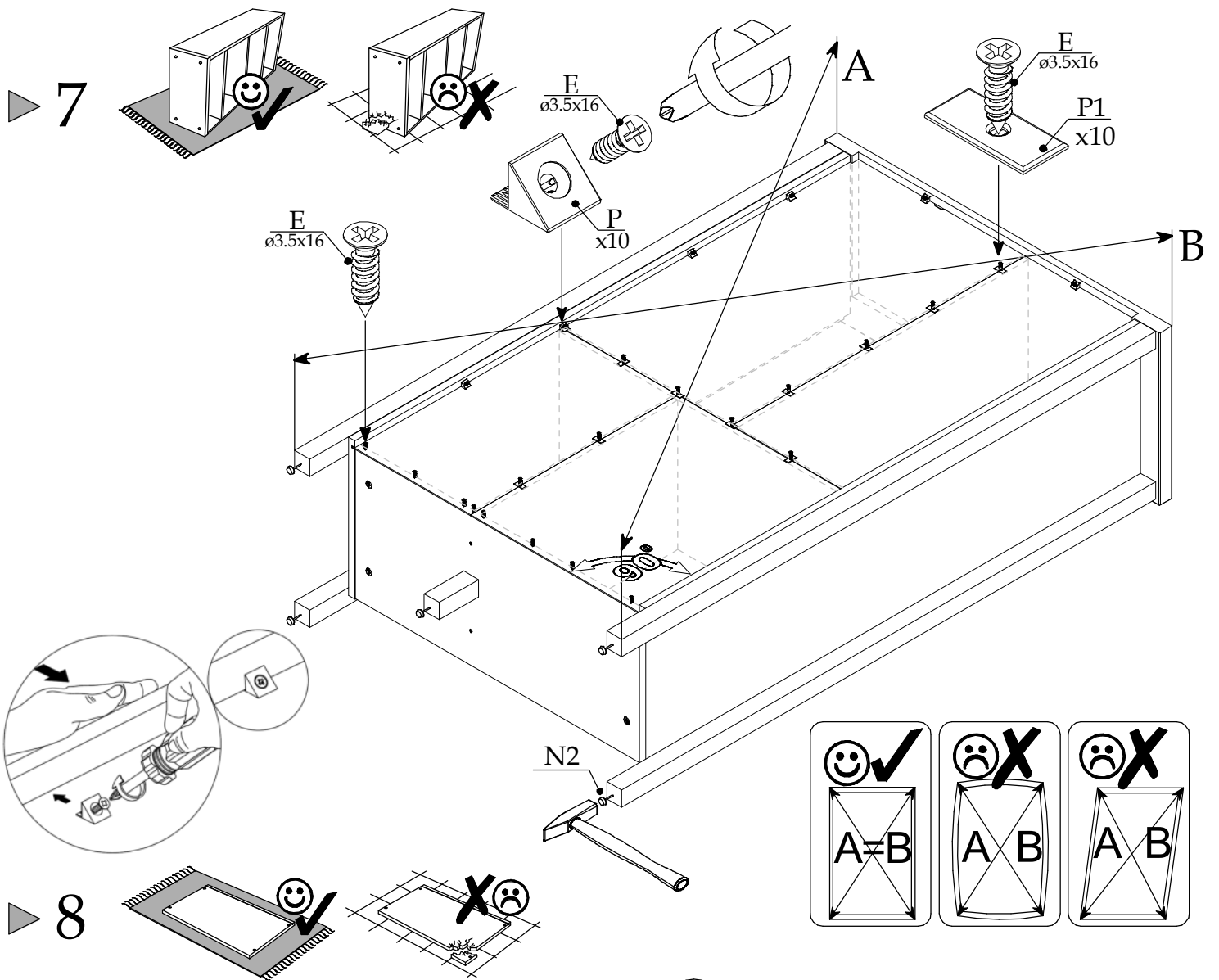


5

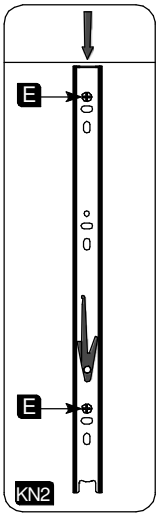


6

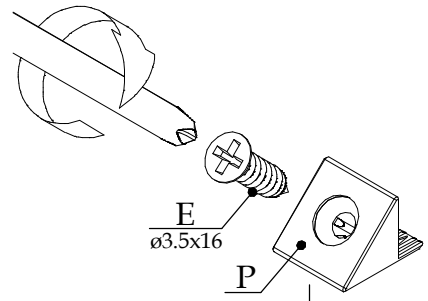
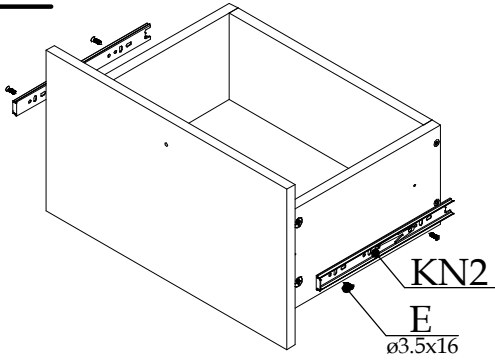




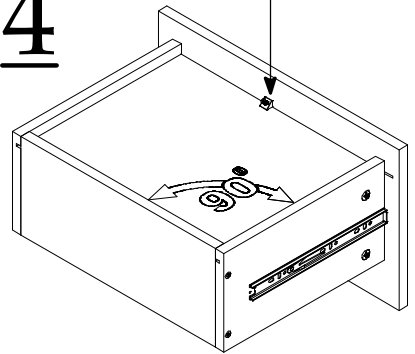
▶ 9



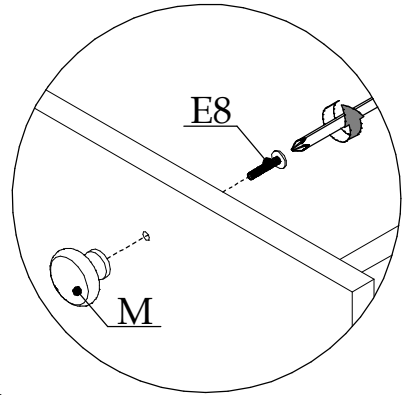
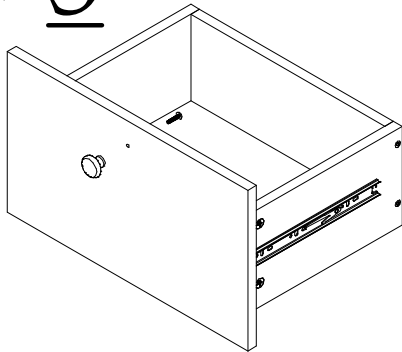
▶ 3



▶ 4

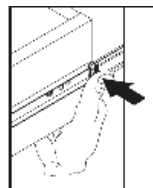
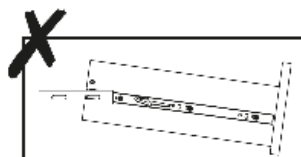
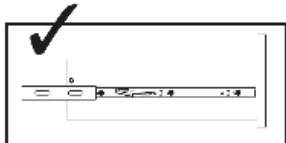
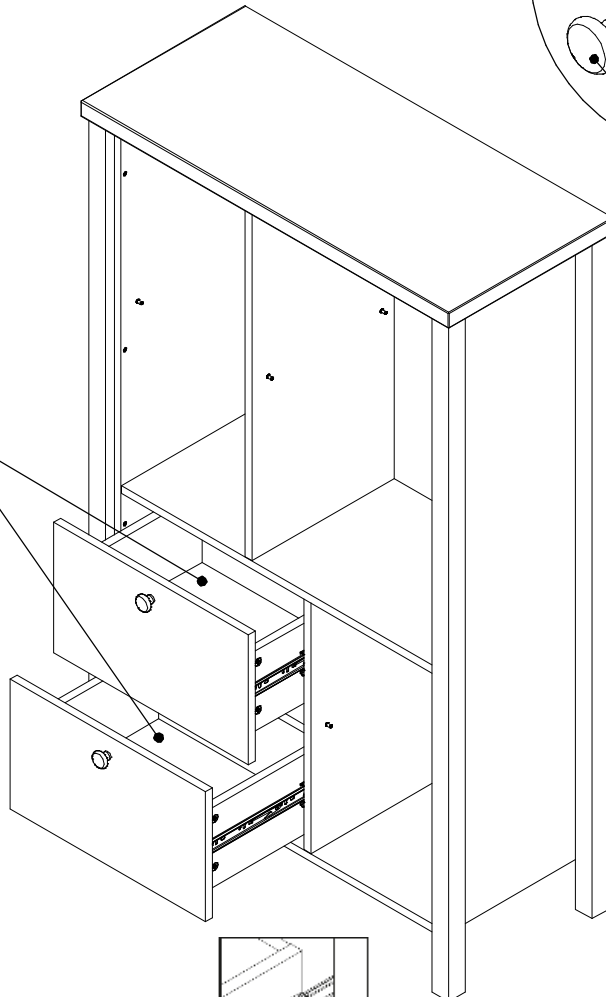
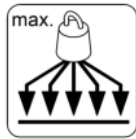


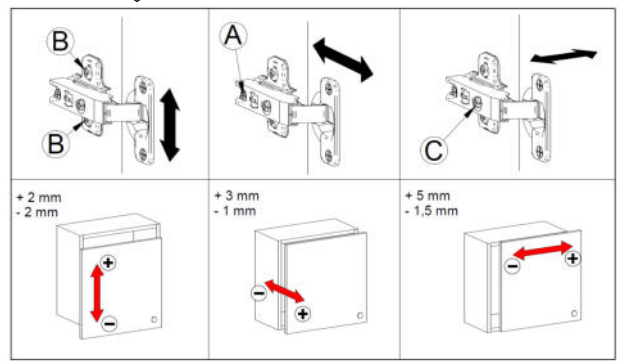
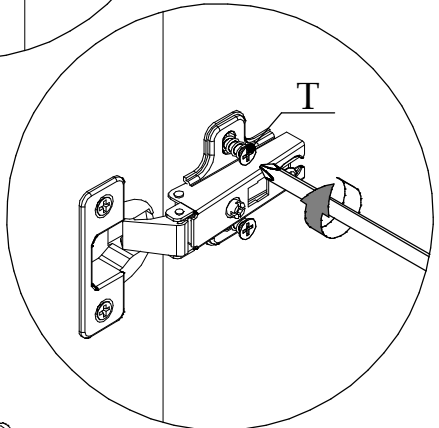
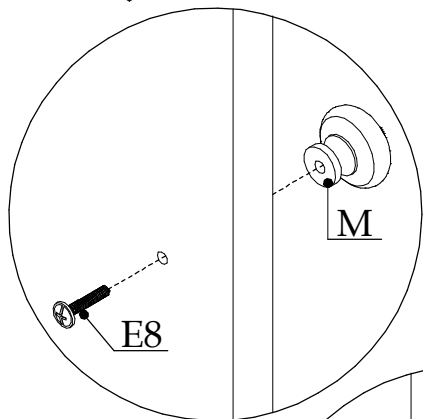
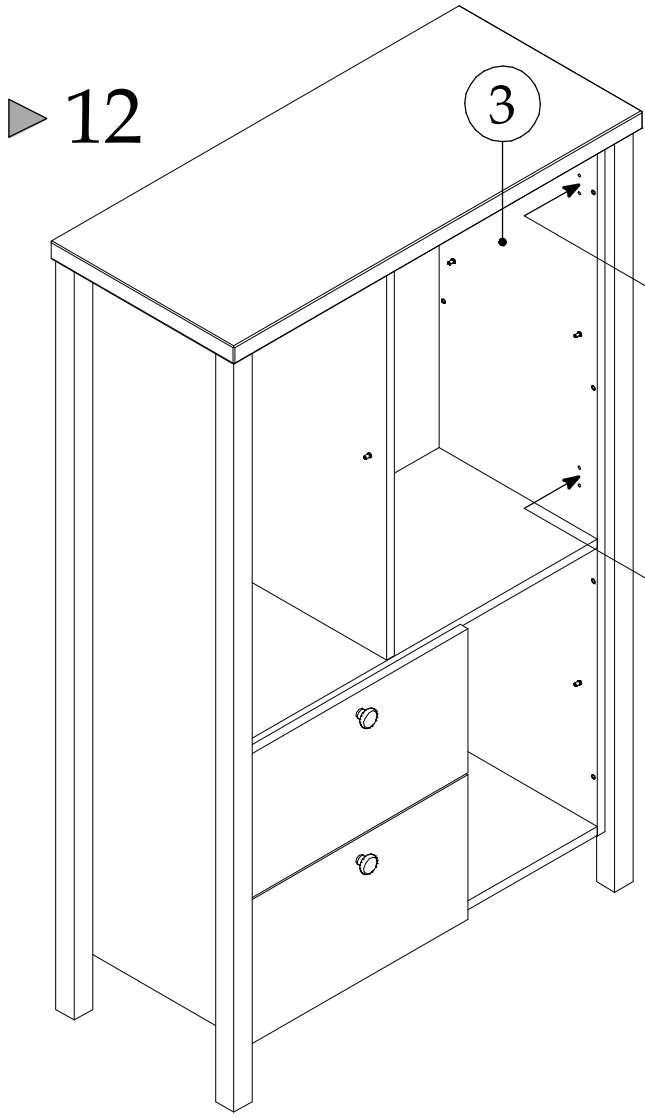
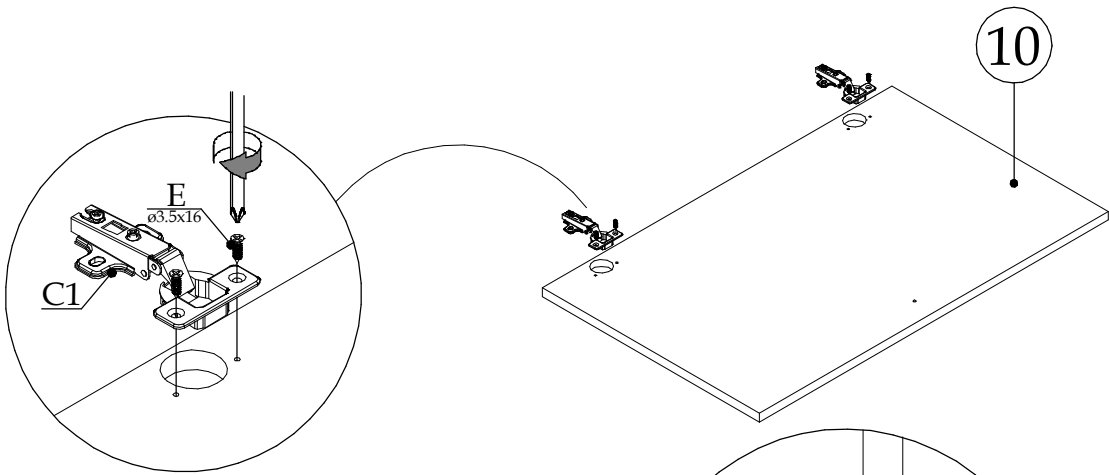
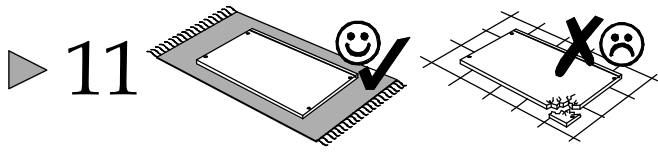
▶ 5



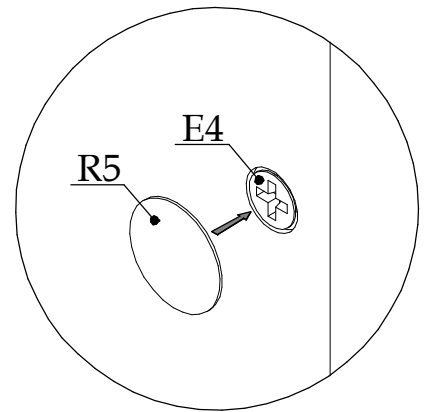
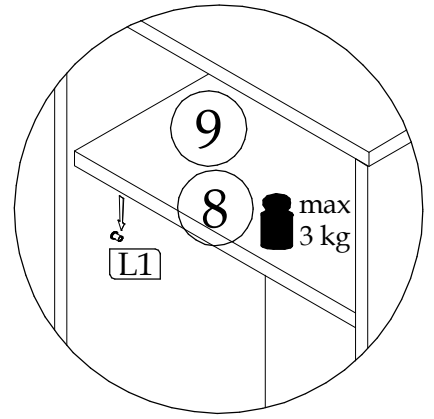
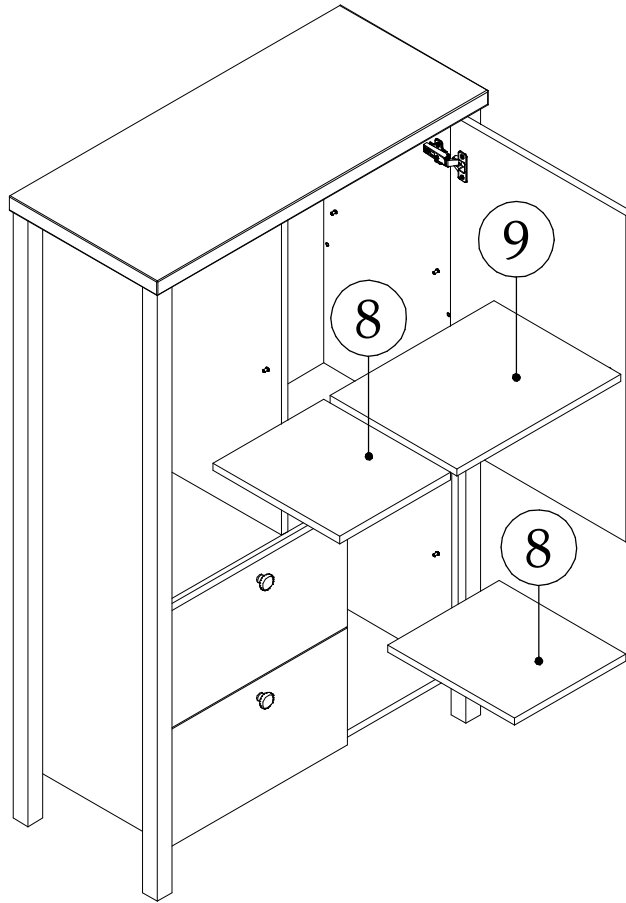
▶ 10

max. 3kg





► 13



► 14

