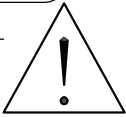
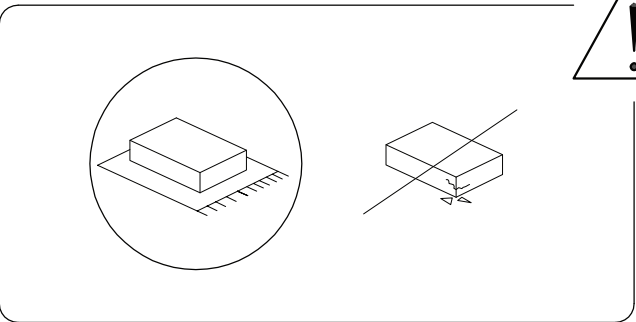
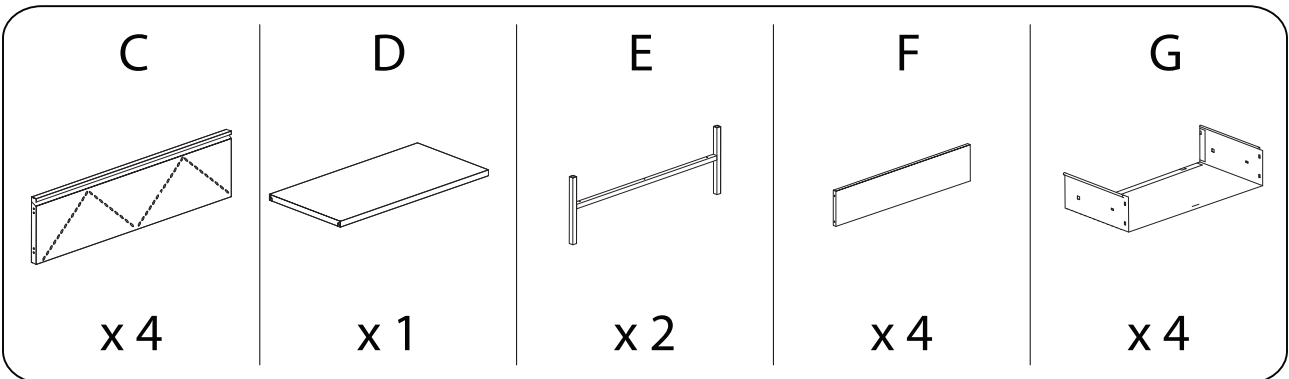
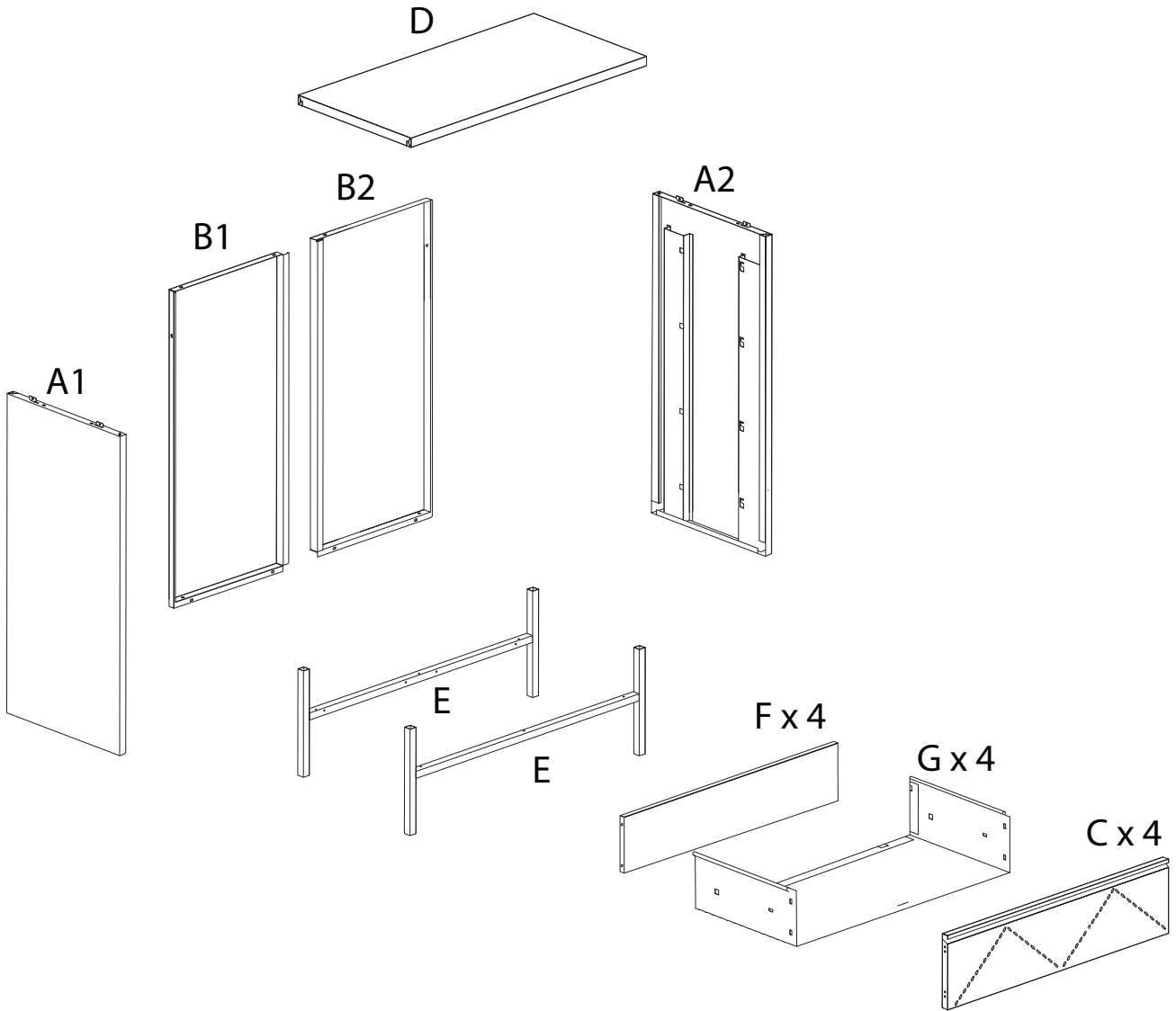
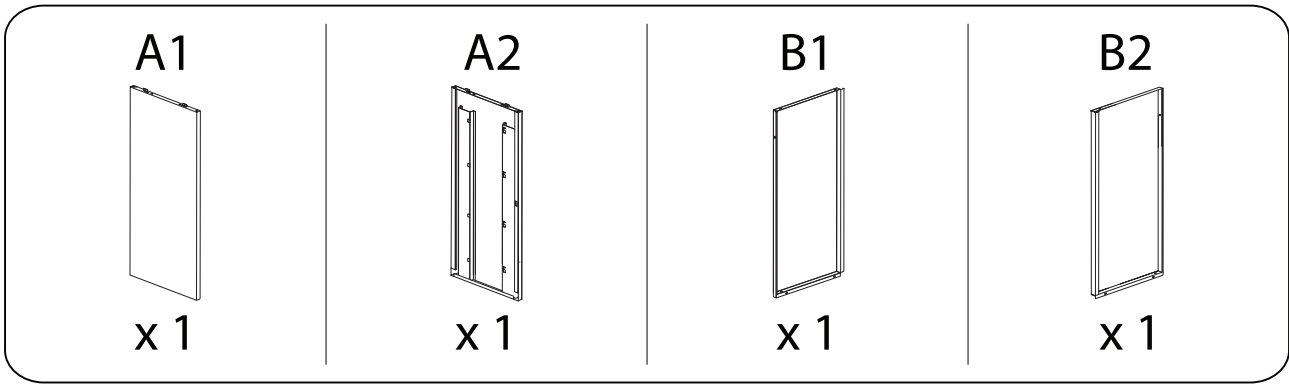


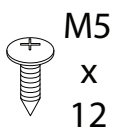
45'



2

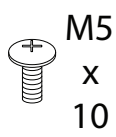


1



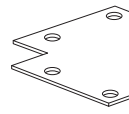
x 32

2



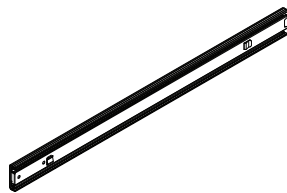
x 16

3



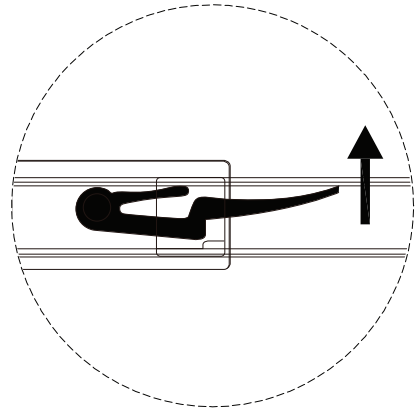
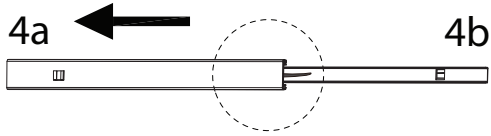
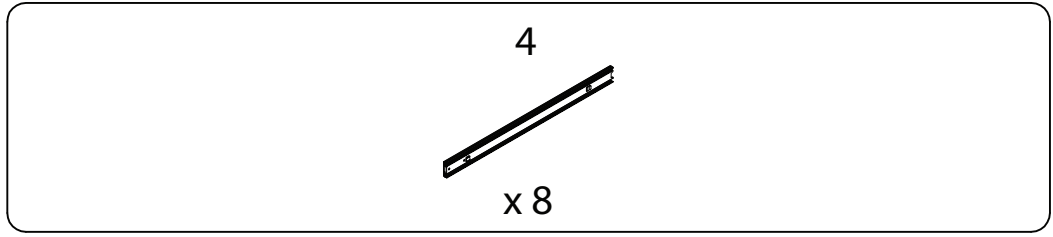
x 4

4

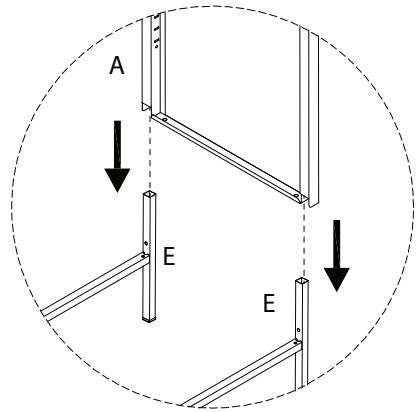
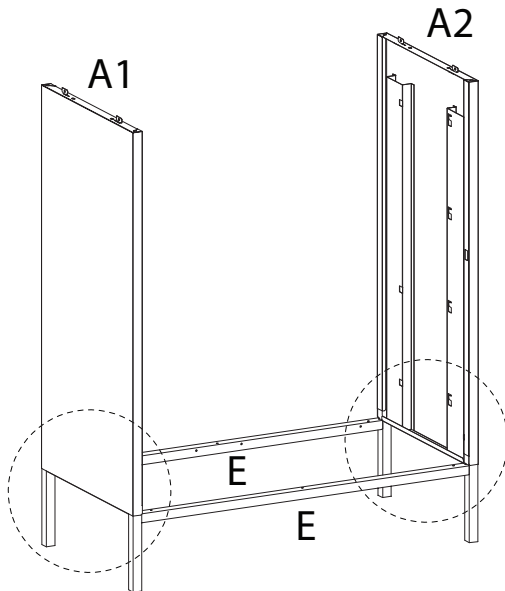
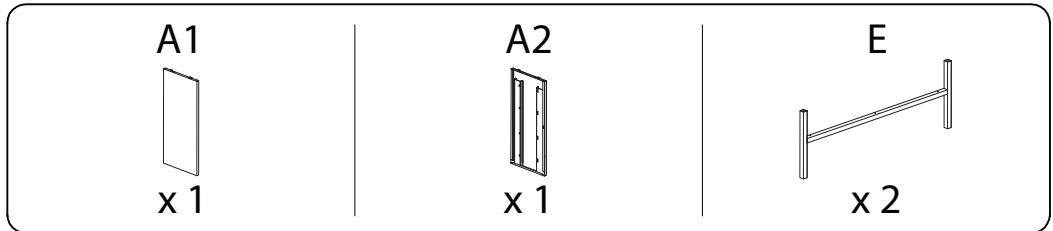


x 8

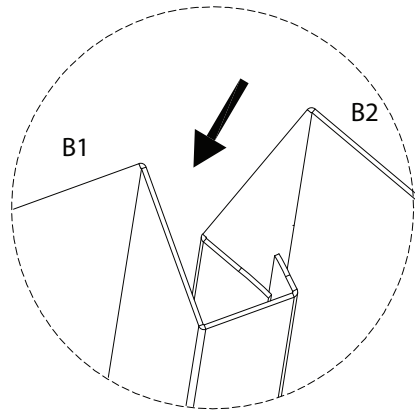
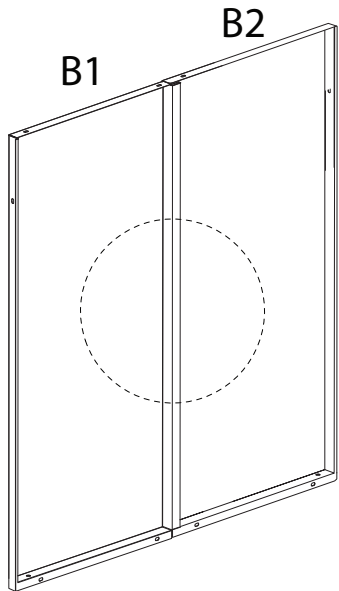
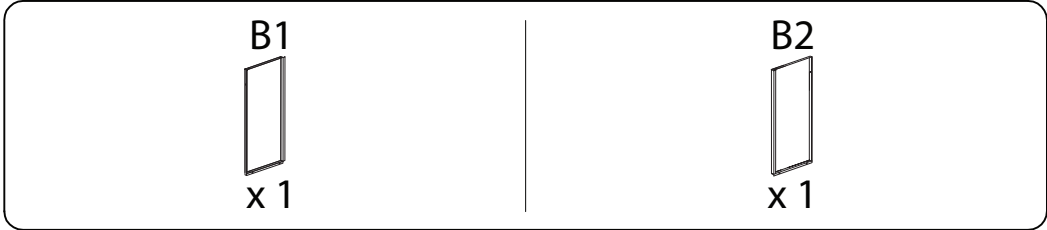
1



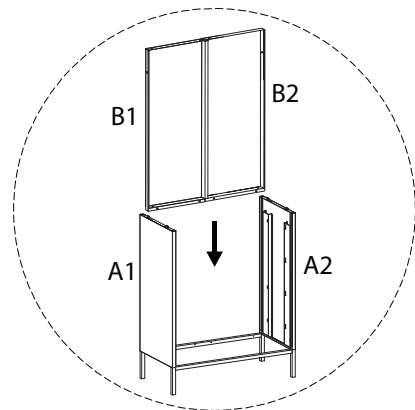
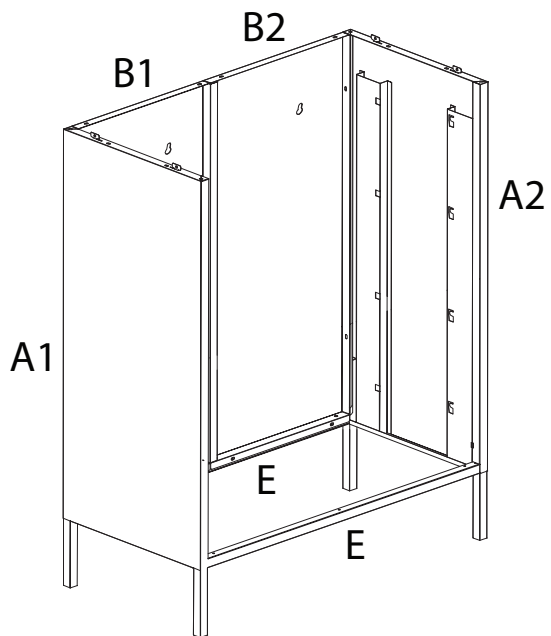
2



3

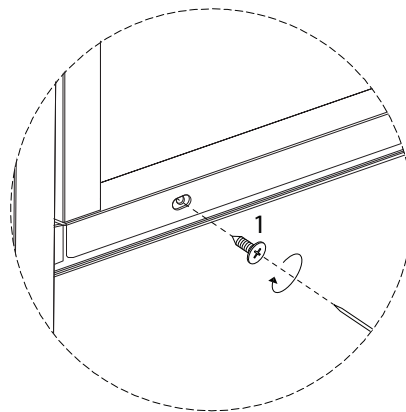
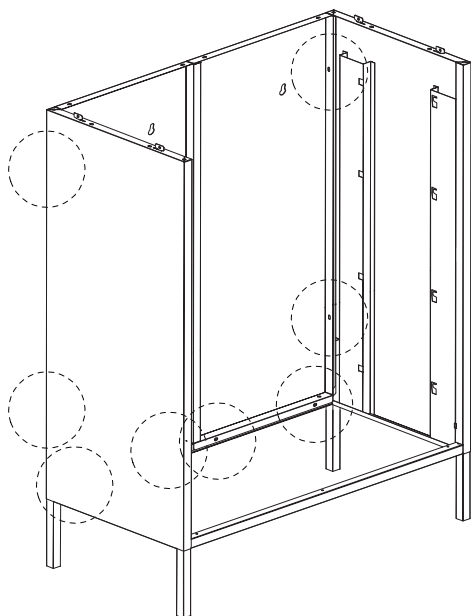


4



5

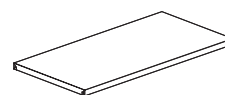
1
M5
x
12
x 8



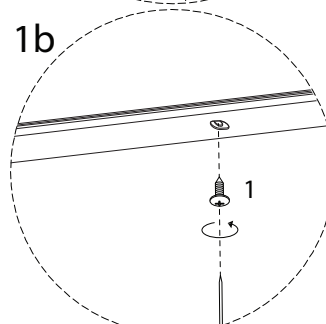
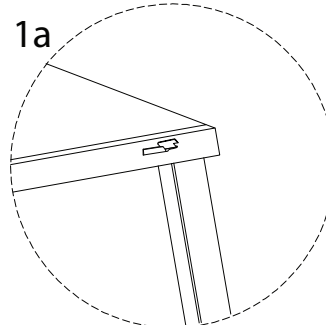
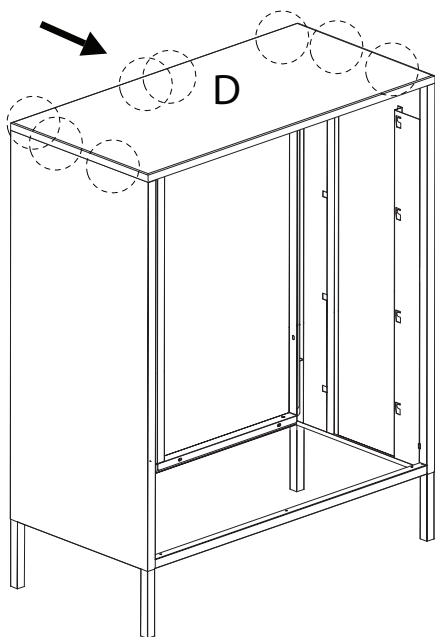
6

1
M5
x
12
x 8

D



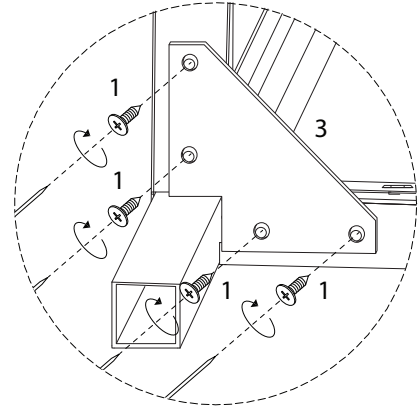
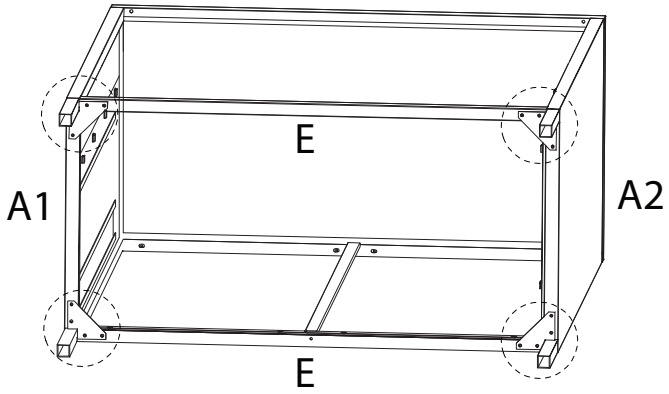
x 1



7

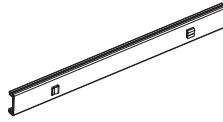
1
M5
x
12
x 16

3
x 4

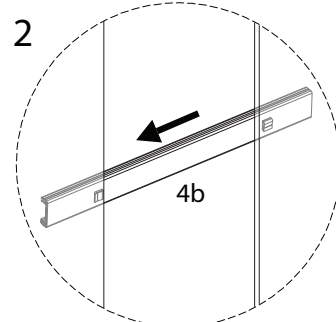
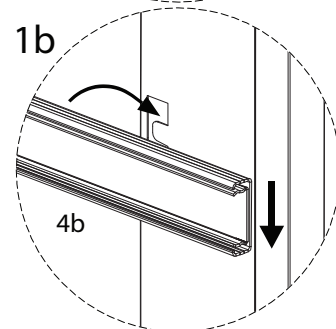
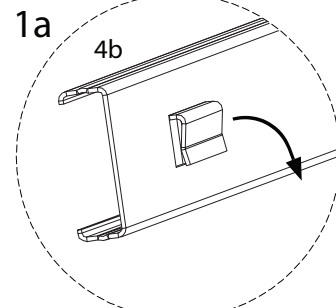
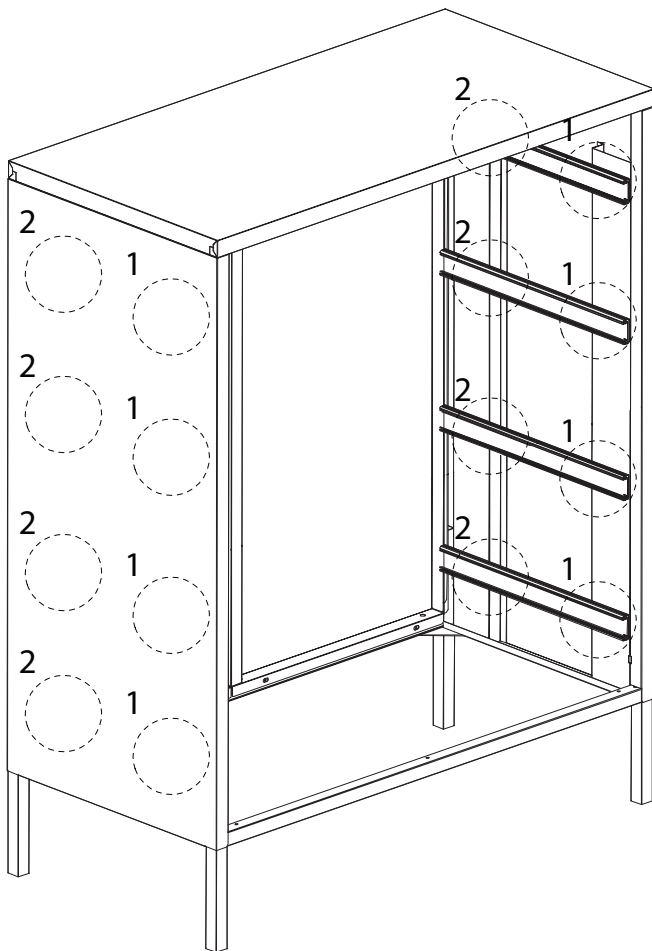


8

4b



x 8



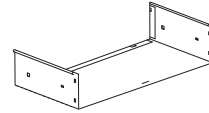
9 x 4

4a

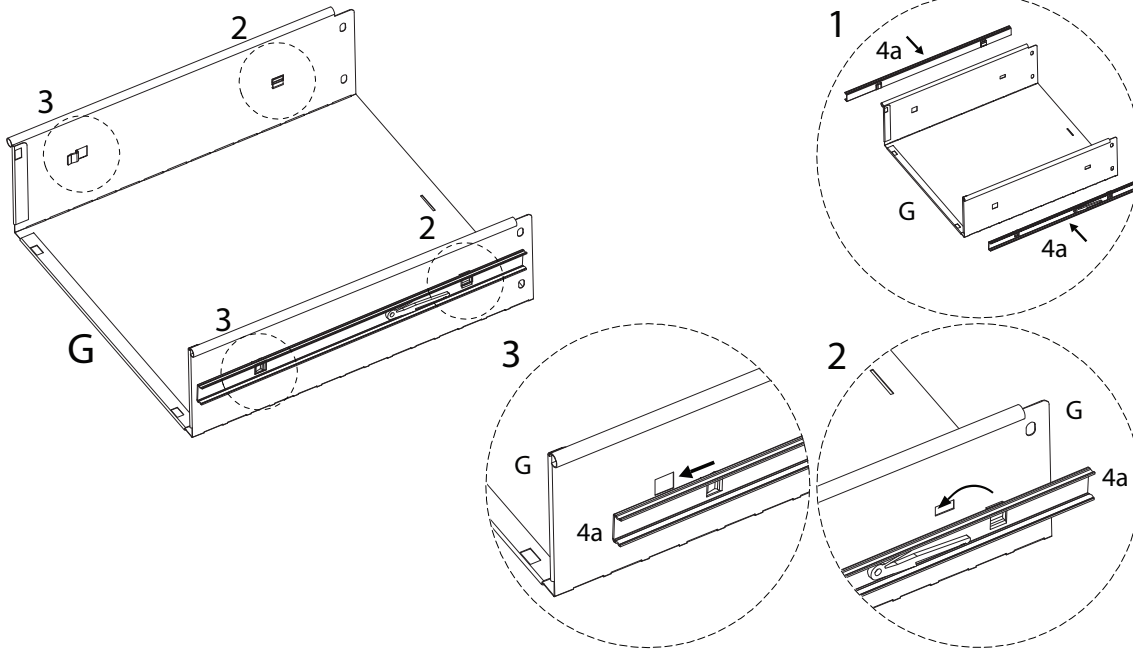


x 2

G

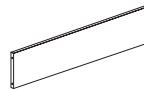


x 1

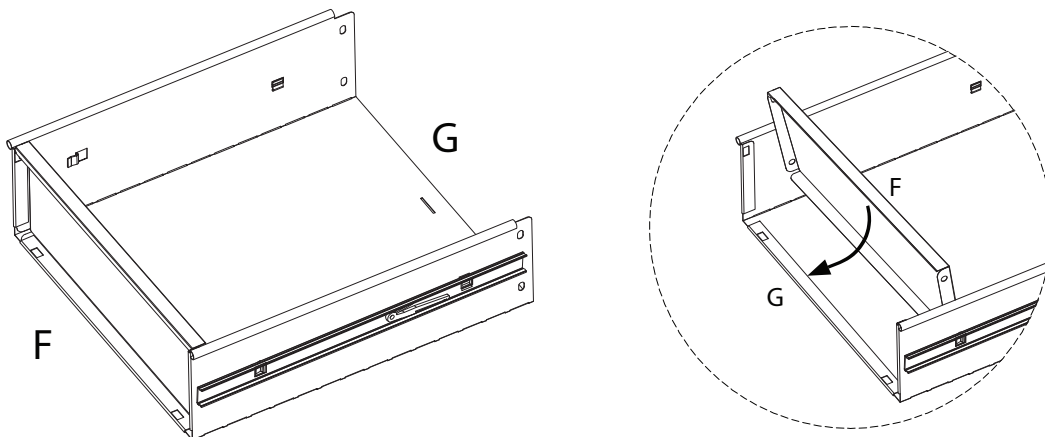


10 x 4

F



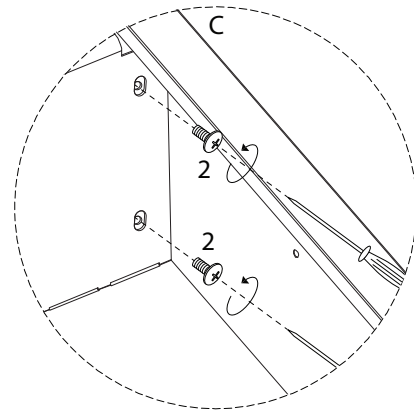
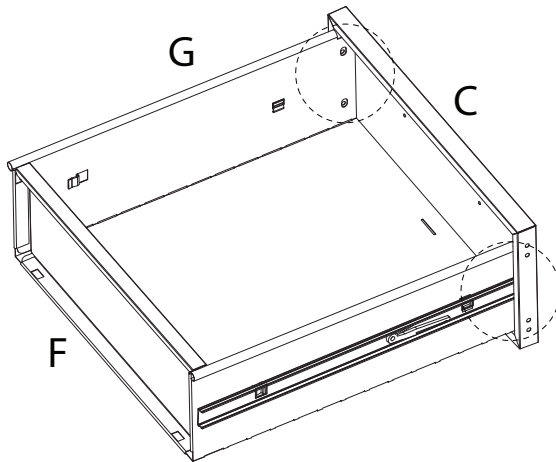
x 1



11 x 4

2
M5
x
10
x 4

C
x 1



12

