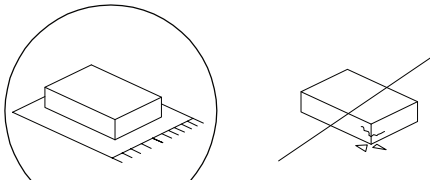


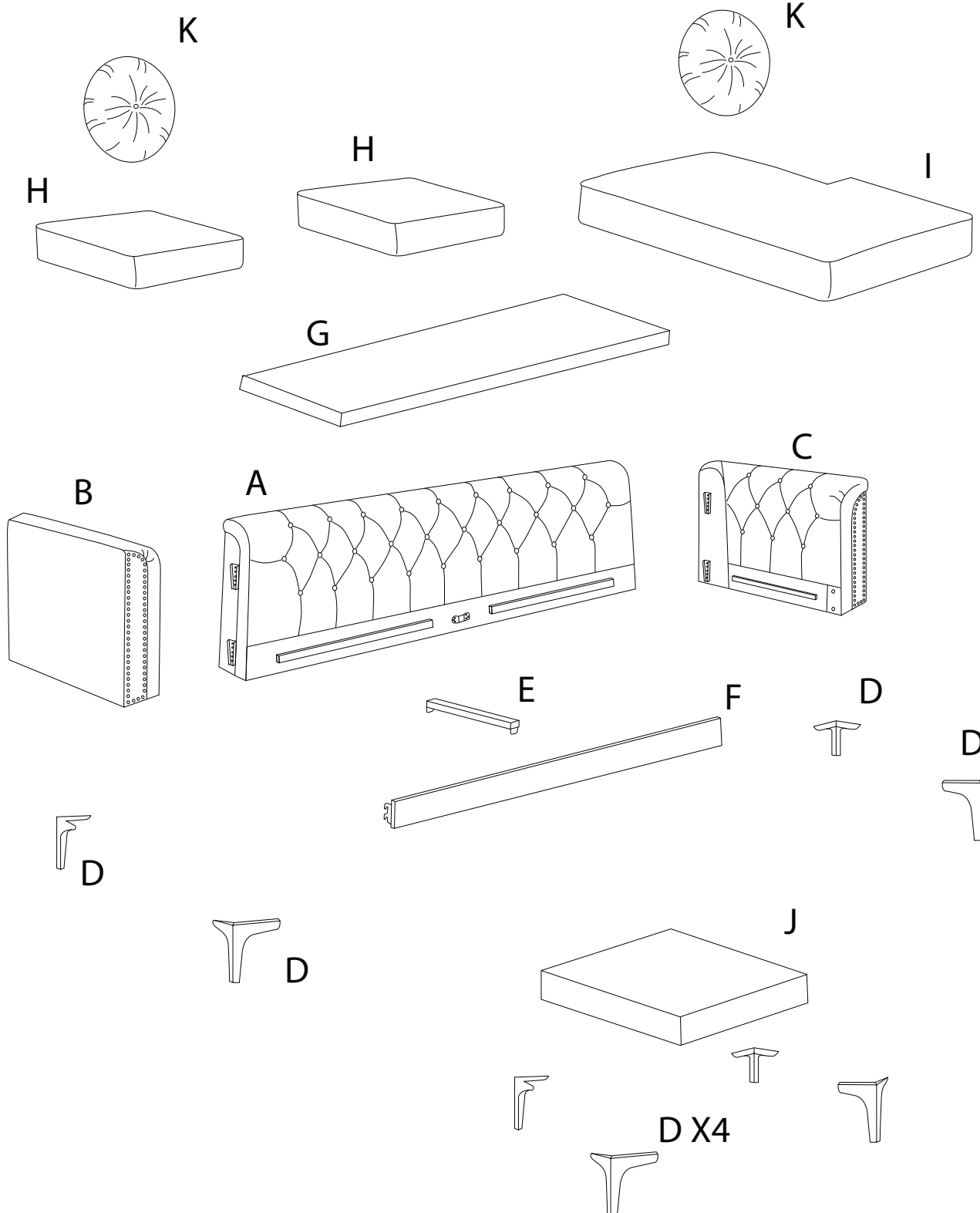
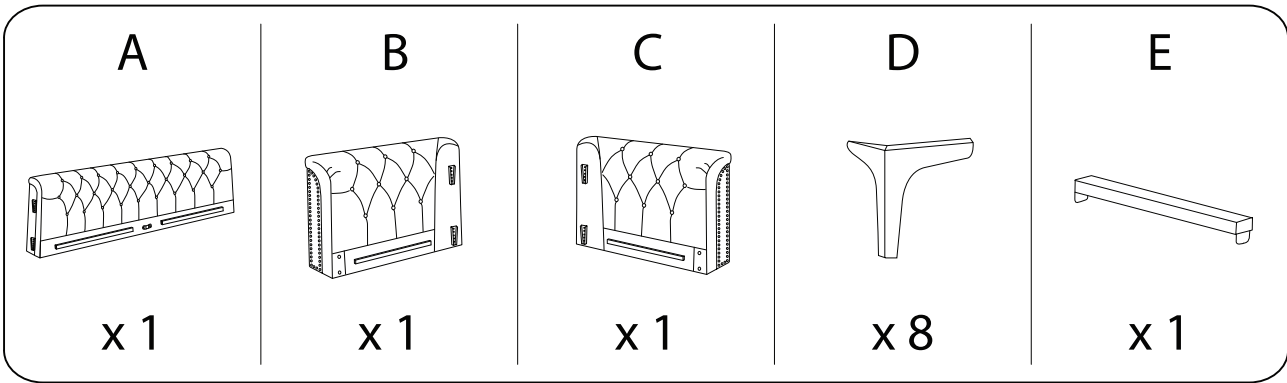
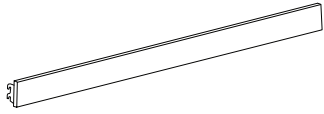

		40'
		
		1

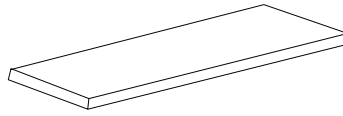


F



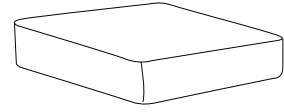
x 1

G



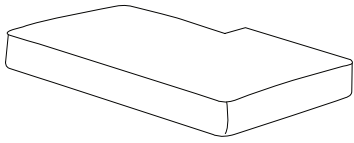
x 1

H



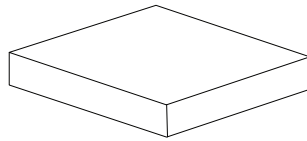
x 2

I



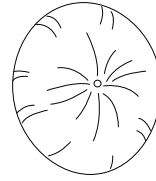
x 1

J



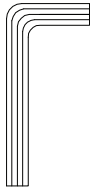
x 1

K



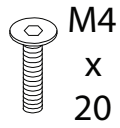
x 2

L



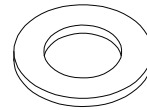
x 1

M



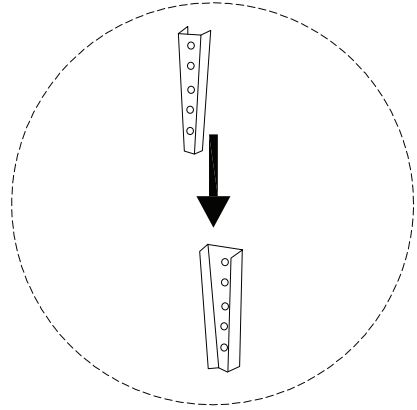
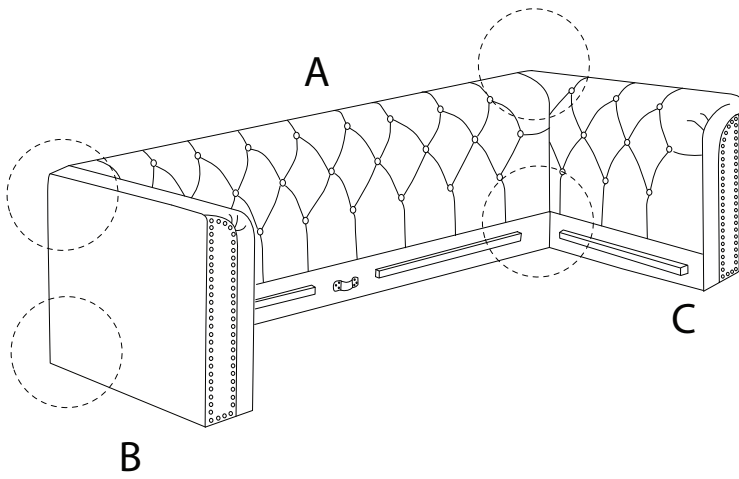
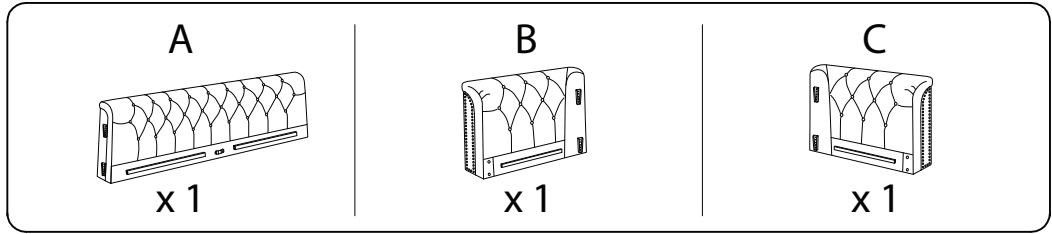
x 16

N

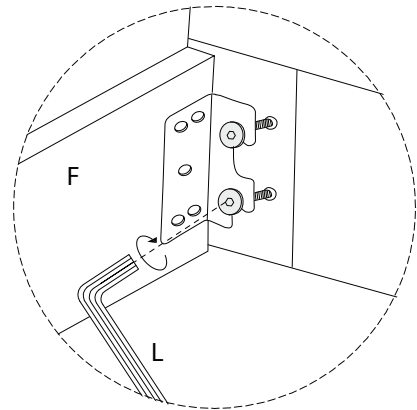
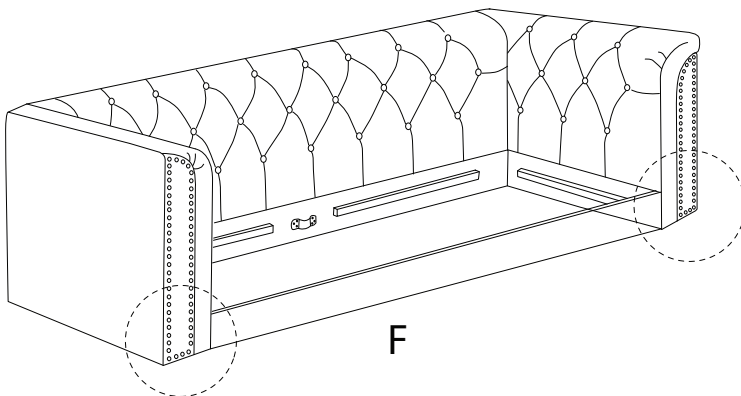
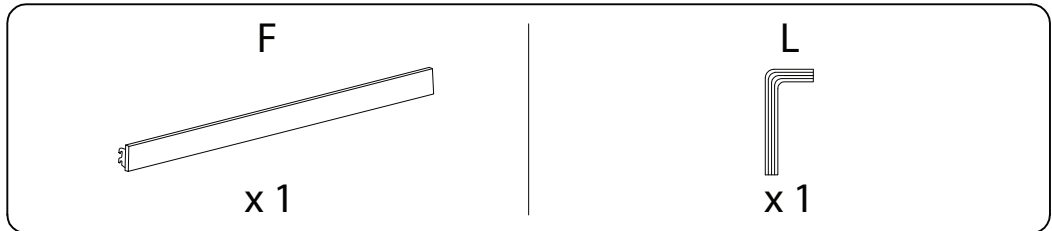


x 16

1

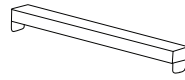


2

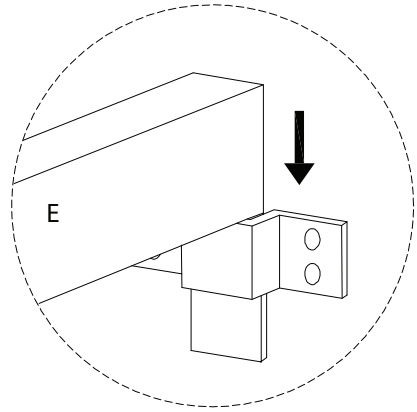
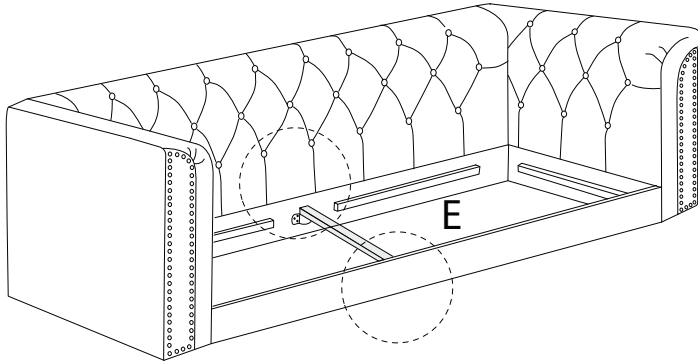


3

E

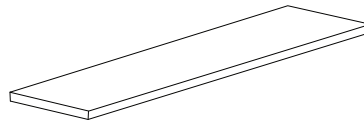


x 1

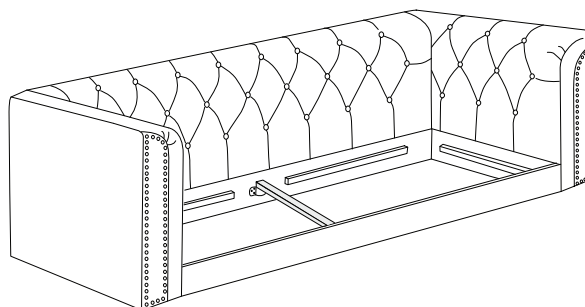
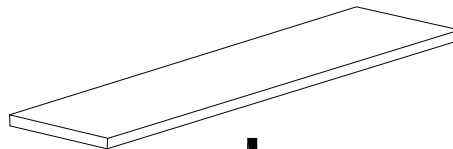


4

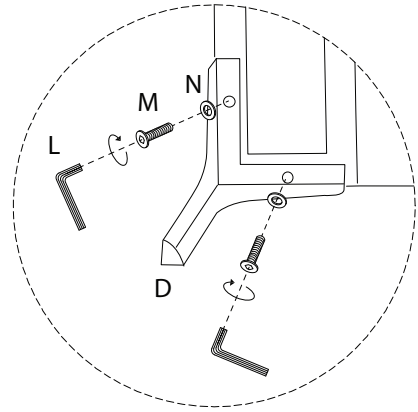
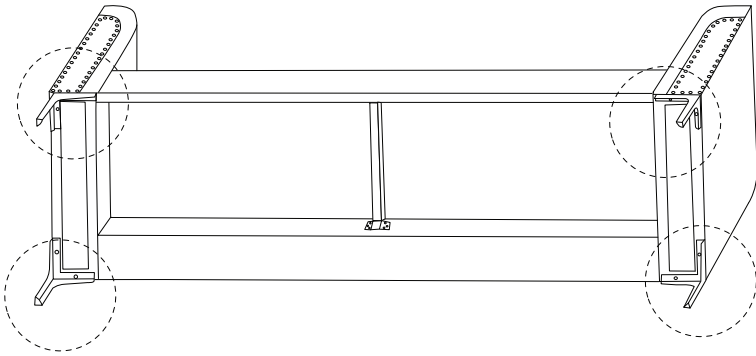
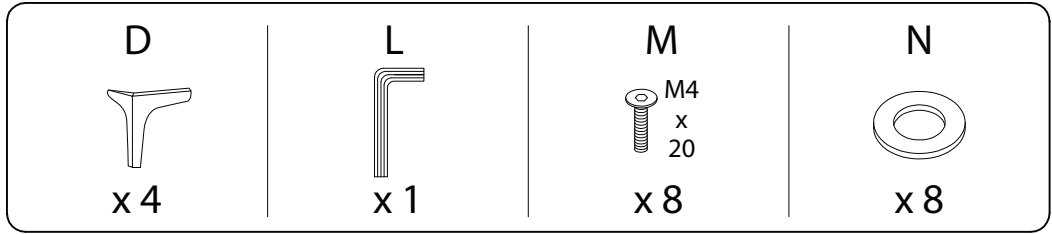
G



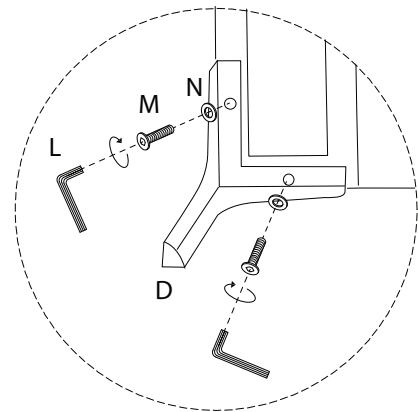
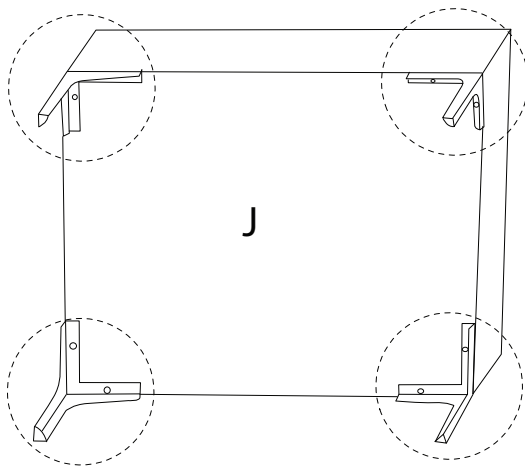
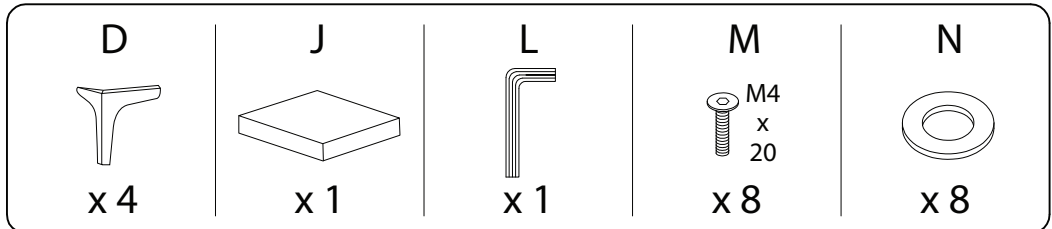
x 1



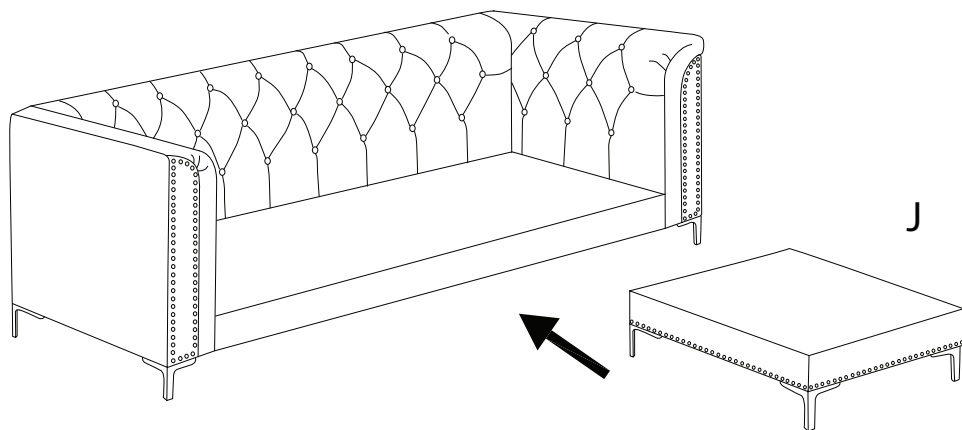
5



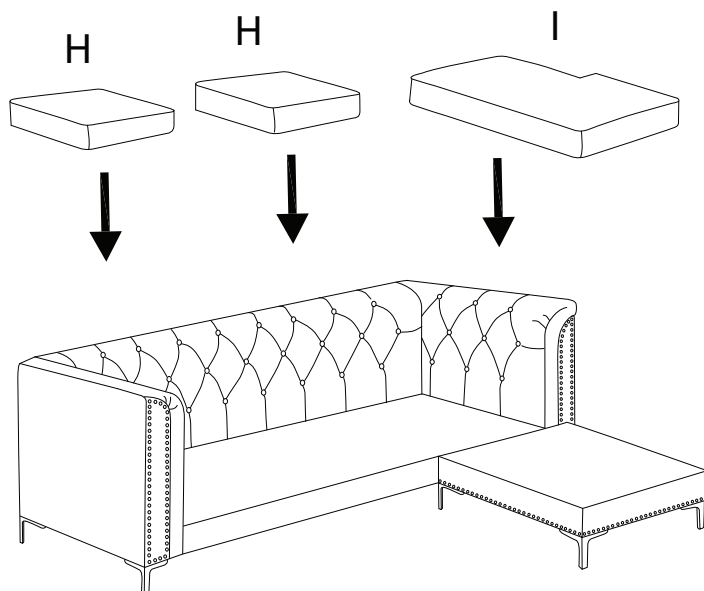
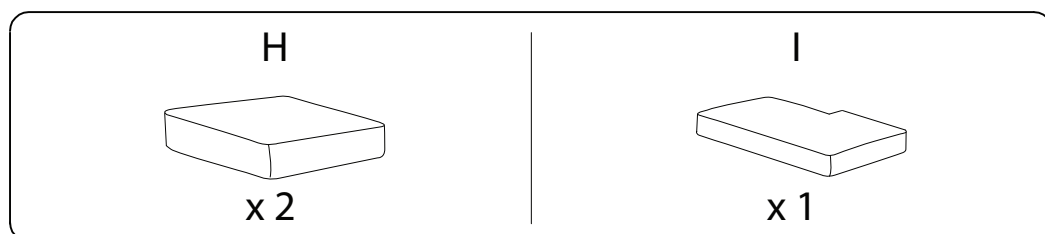
6



7

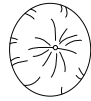


8



9

K

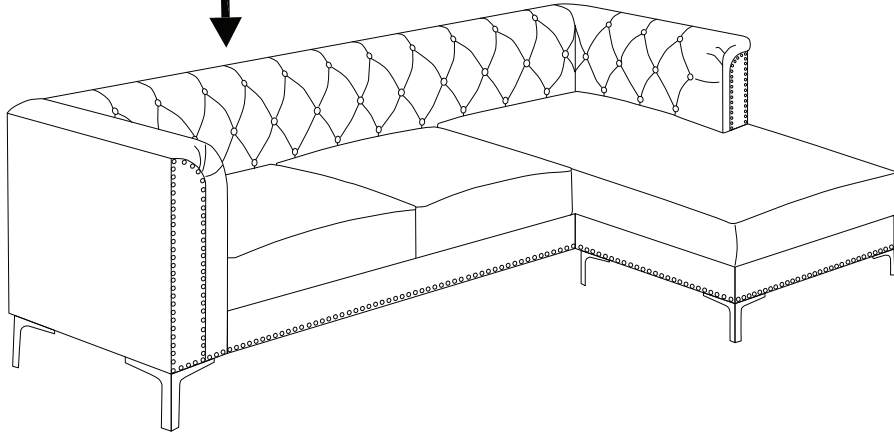


x 2

K



K



!

