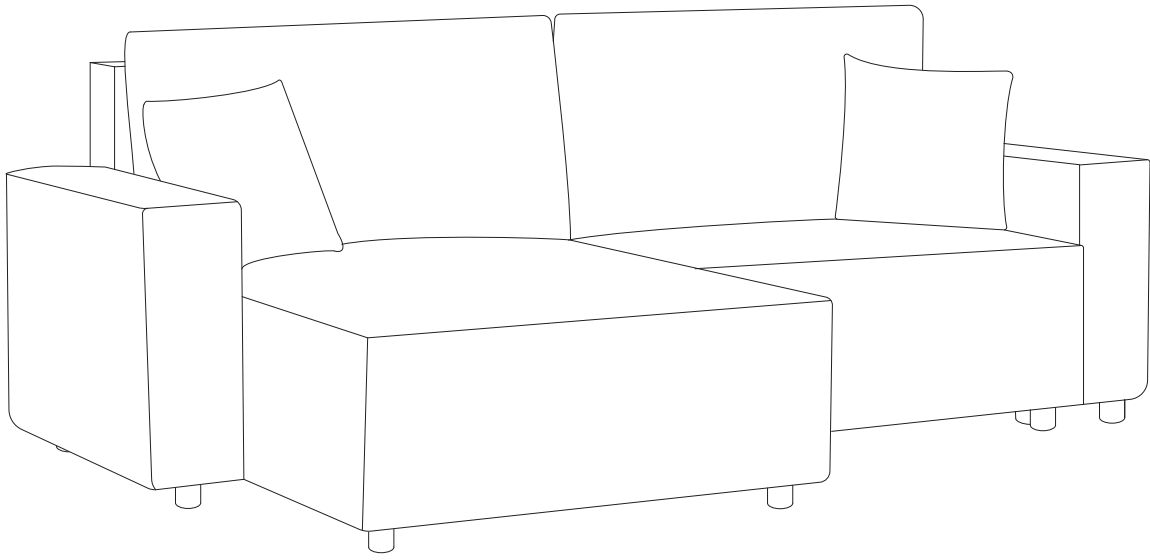
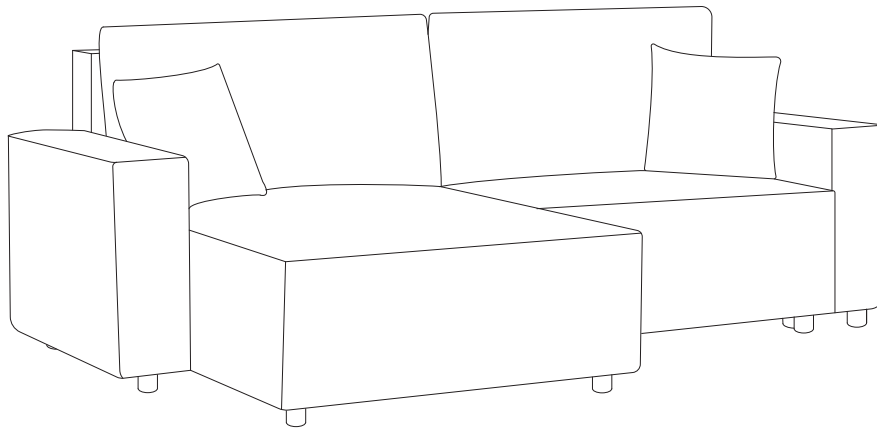
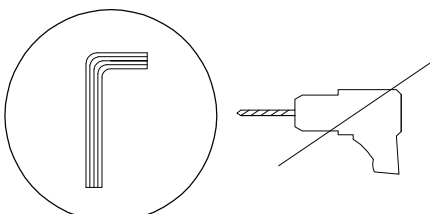

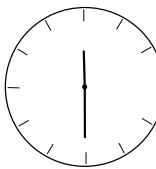
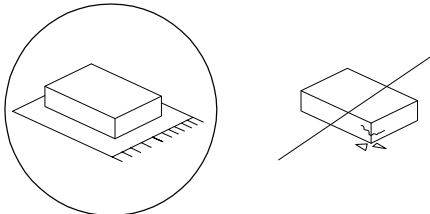


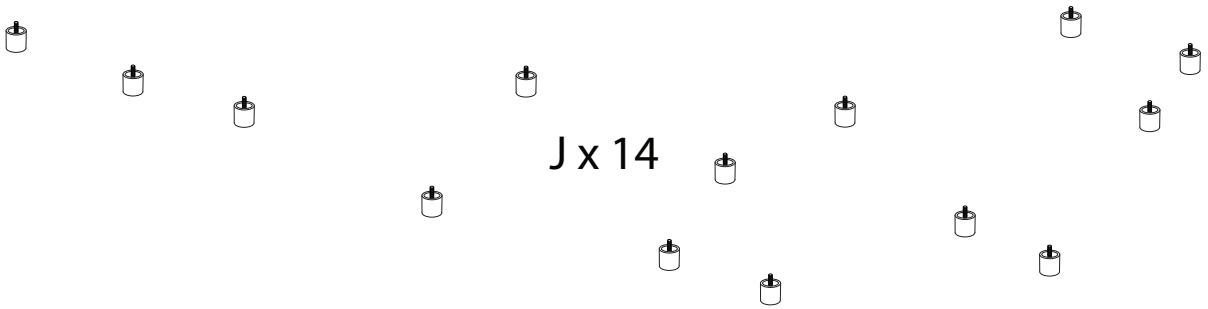
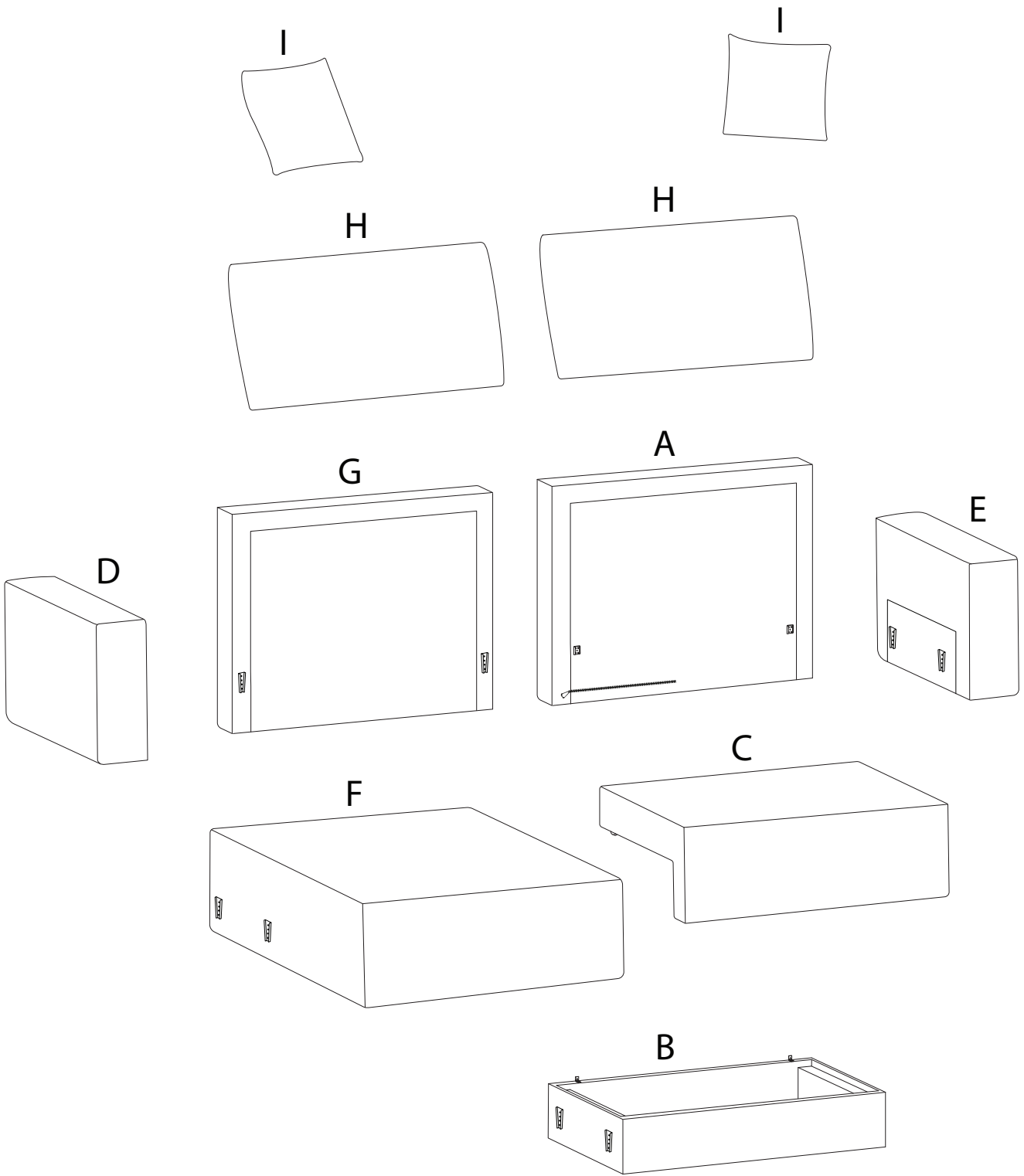


KARILA

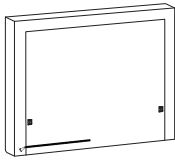




		
		30'
		
		2



A



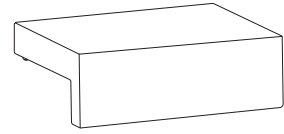
x 1

B



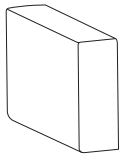
x 1

C



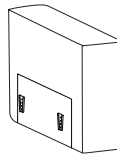
x 1

D



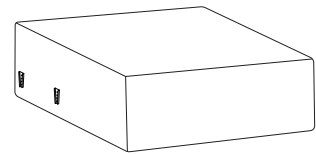
x 1

E



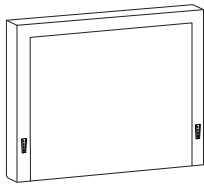
x 1

F



x 1

G



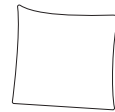
x 1

H



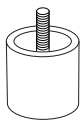
x 2

I



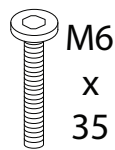
x 2

J



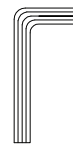
x 14

K



x 2

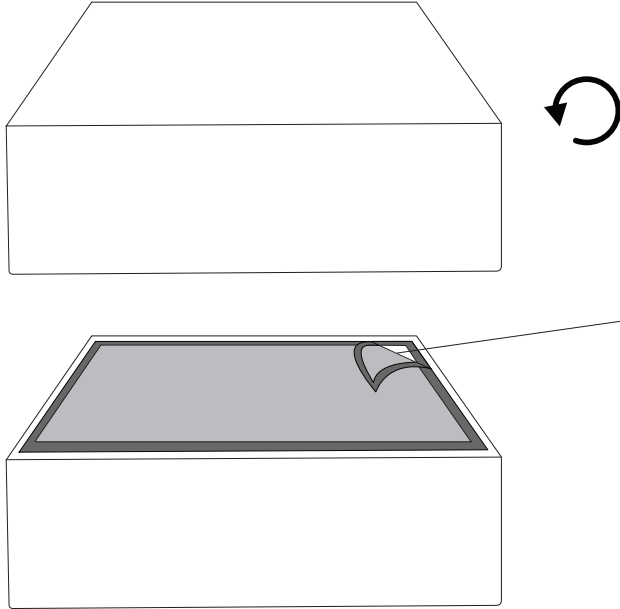
L



x 1

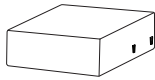
!

F



1

F



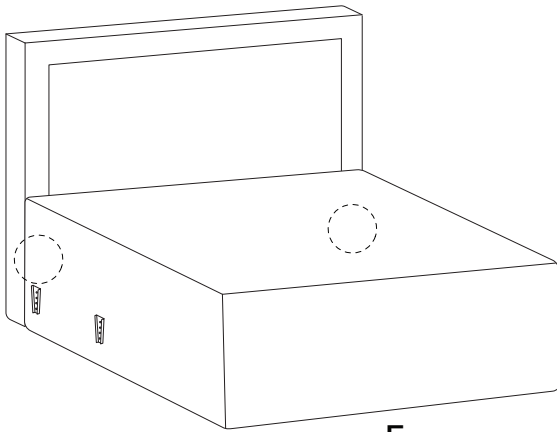
x 1

G

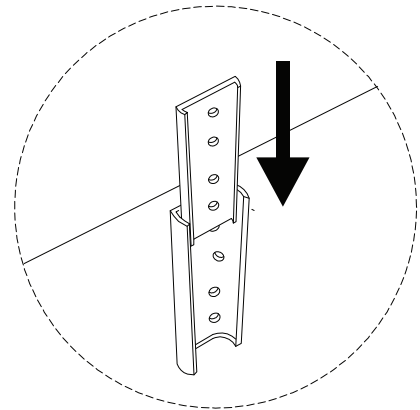


x 1

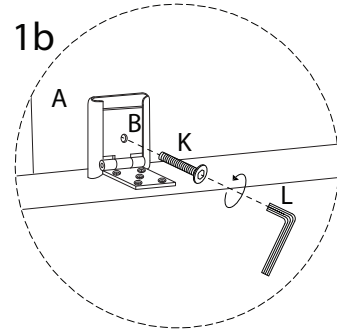
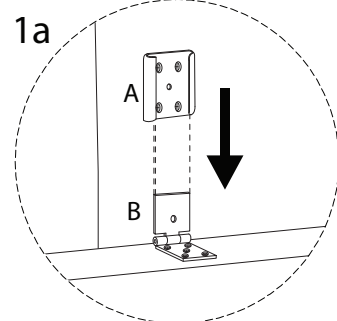
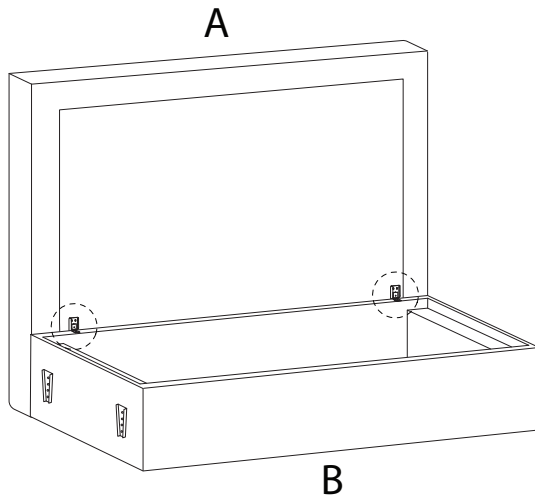
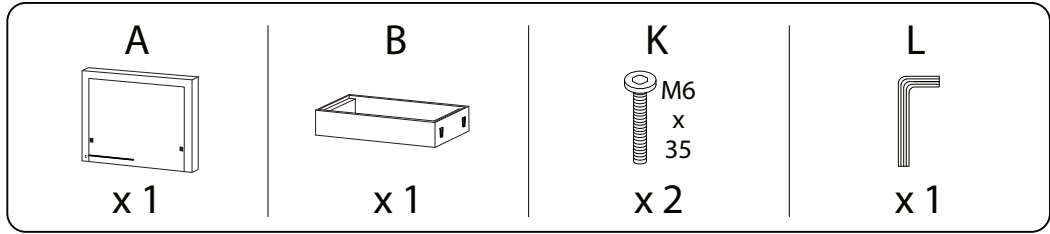
G



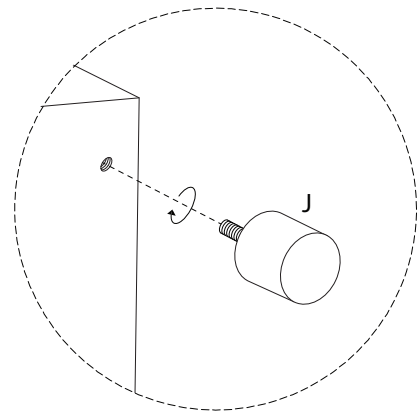
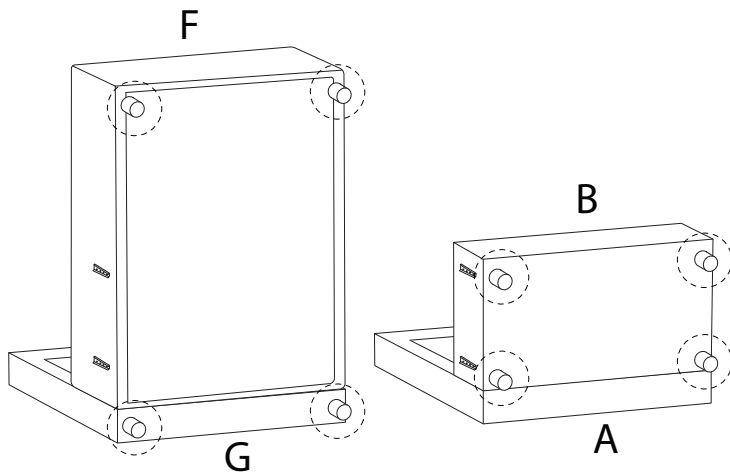
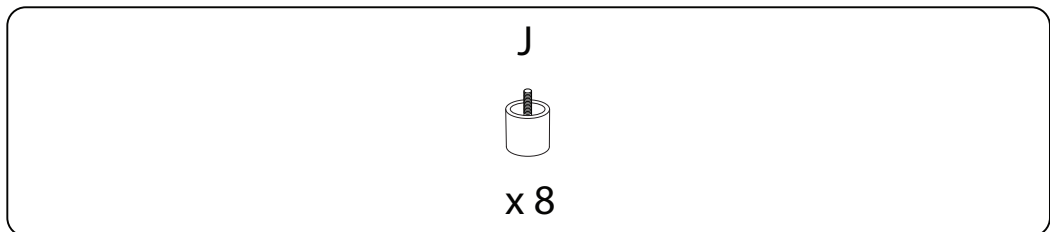
F



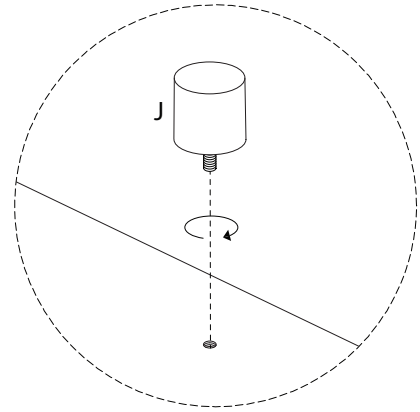
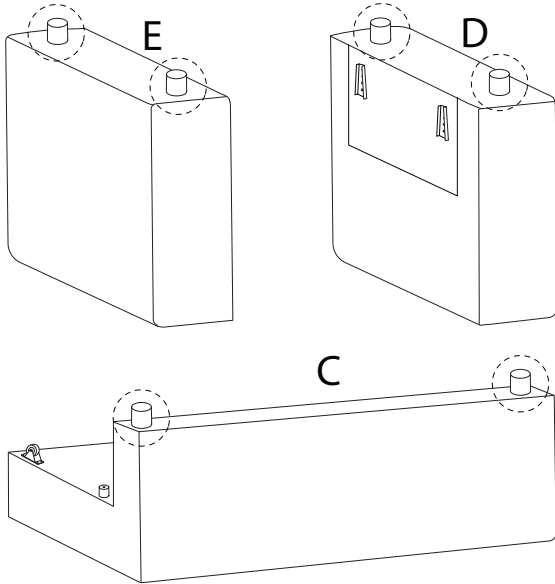
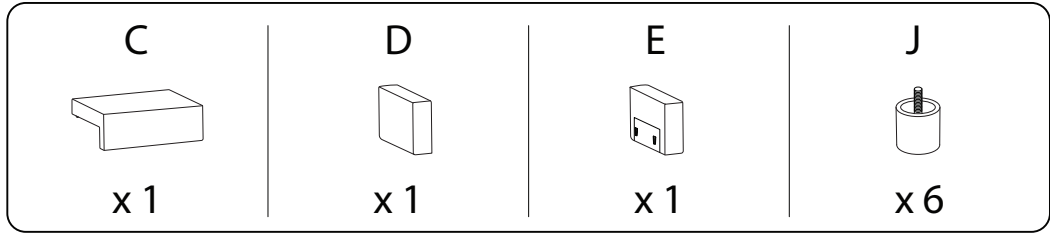
2



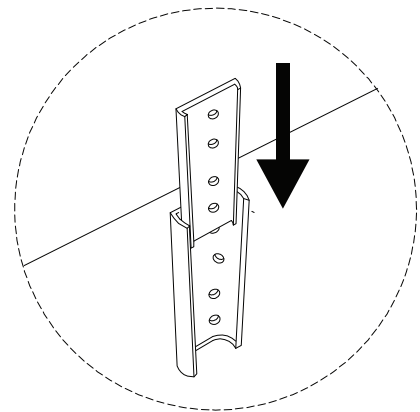
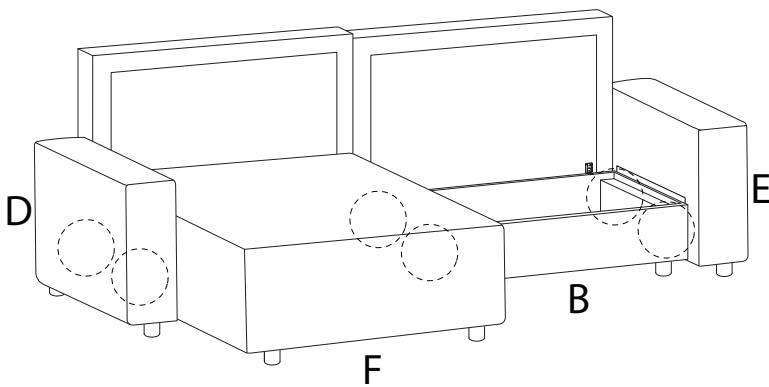
3



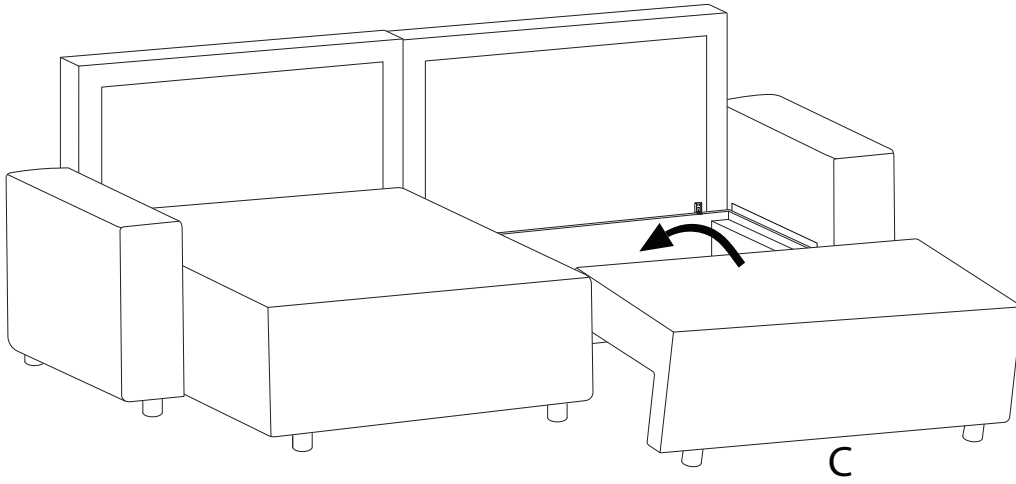
4



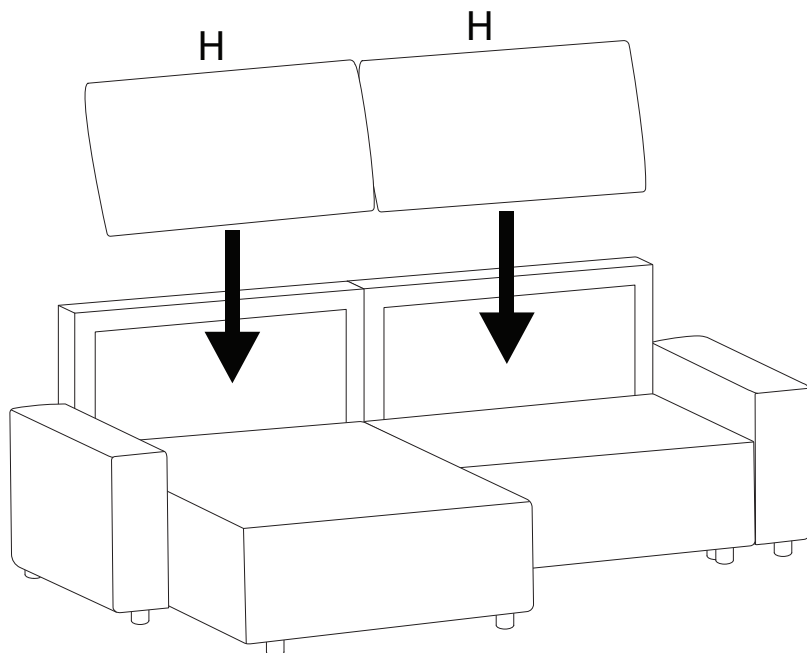
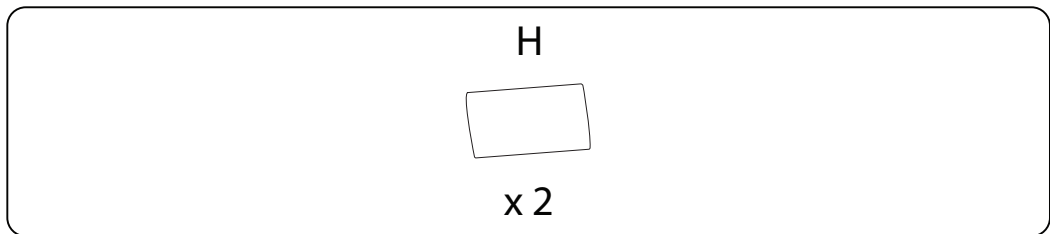
5



6



7

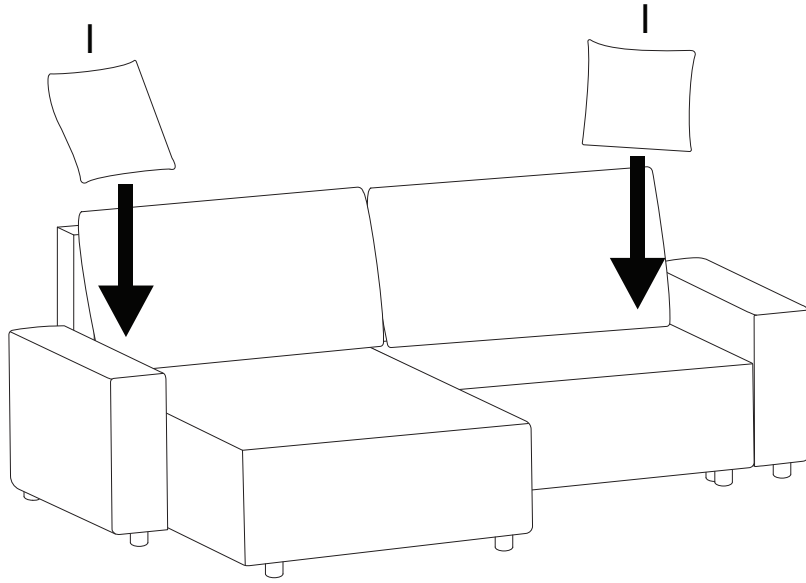


8

1



x2



!

