
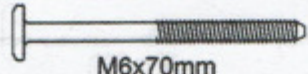



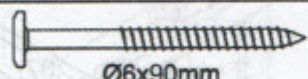




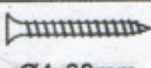
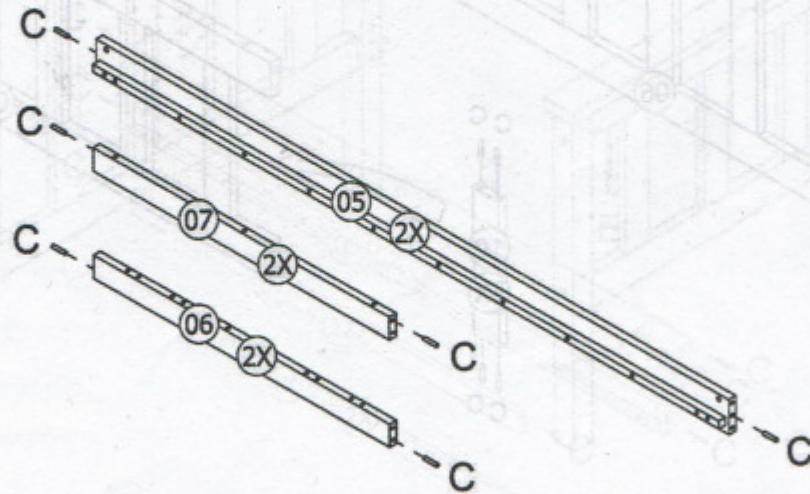


HARDWARE

A	 15mm	 M6x70mm	08
B			08
C		 Ø8x30mm	52
D	 15mm	 Ø6x90mm	08

E	 15mm	 M6x70mm	04
F			01
G	 8mm	 Ø4x30mm	18

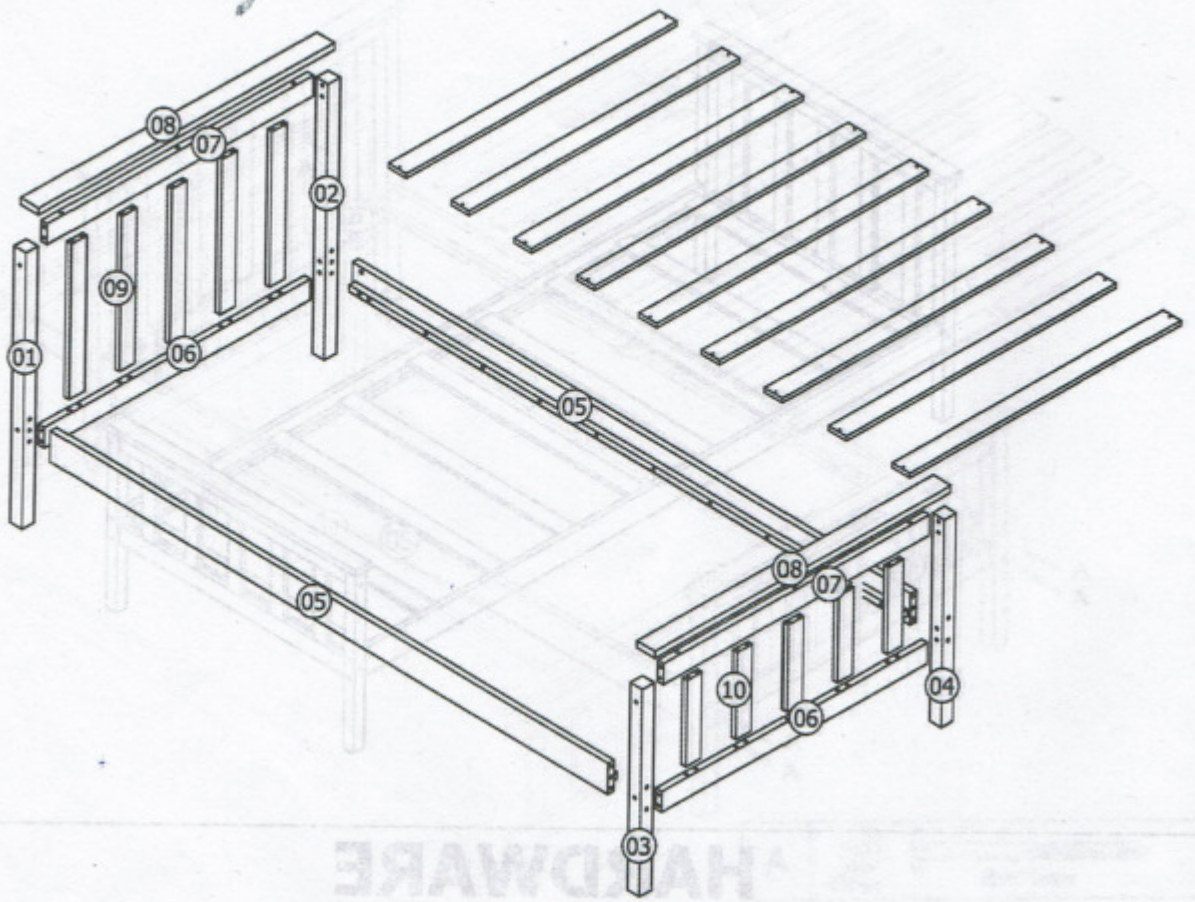
01



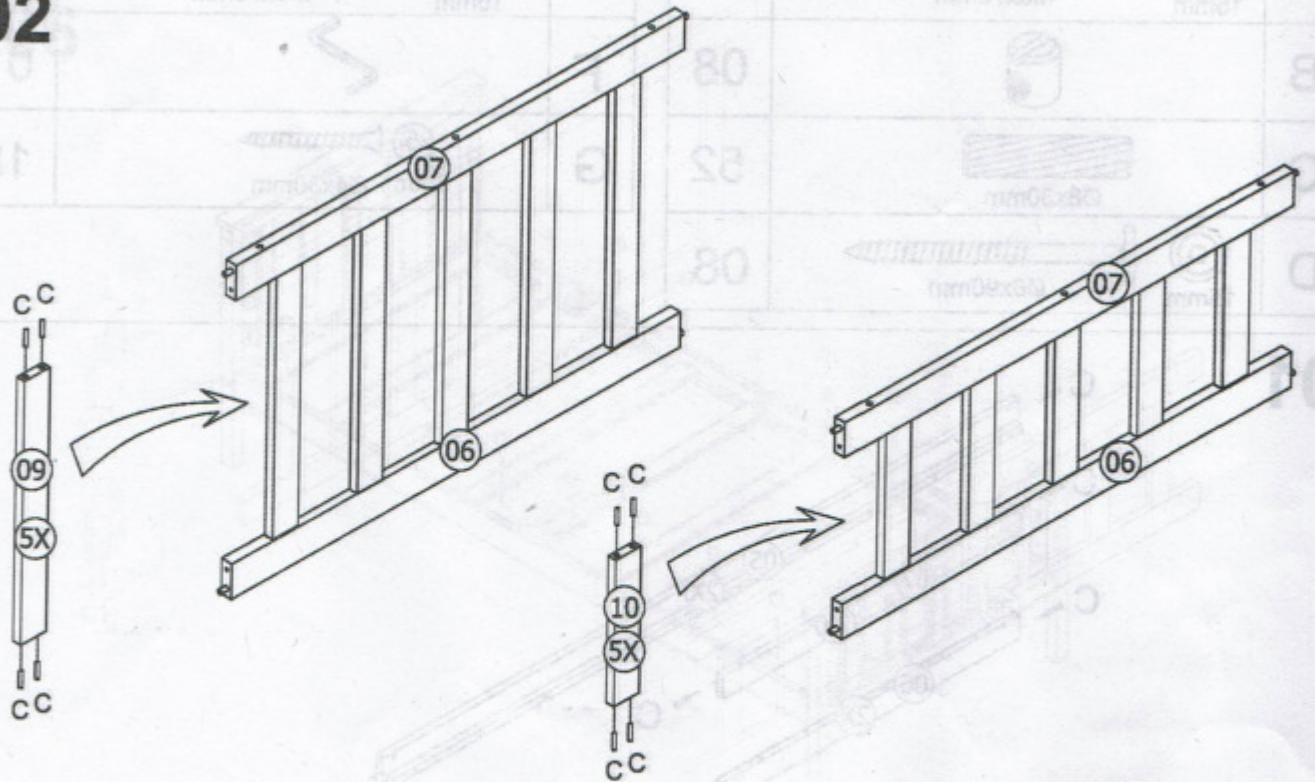
04		
----	-------------------------------------------------------------------------------------	--

C	 Ø8x30mm	12
---	--------------------------------------------------------------------------------------------------	----

05

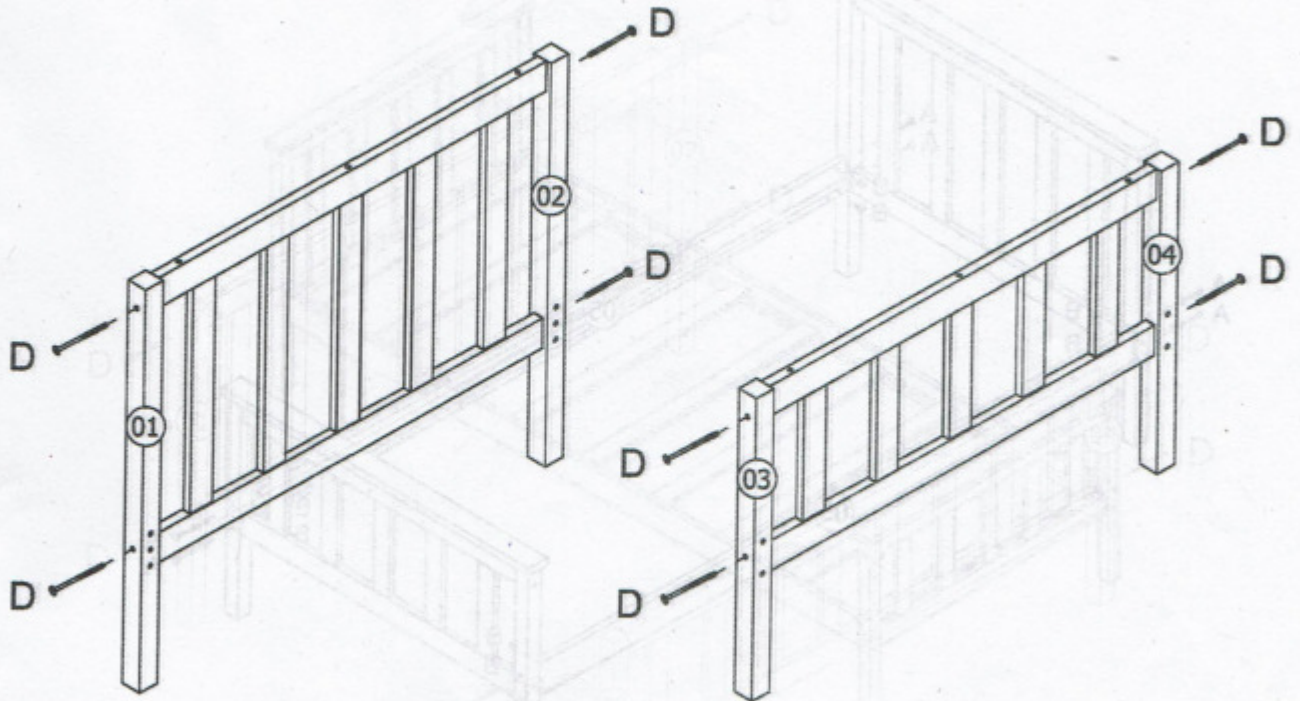


02



C		40
	Ø8x30mm	

03



80



HARDWARE

80

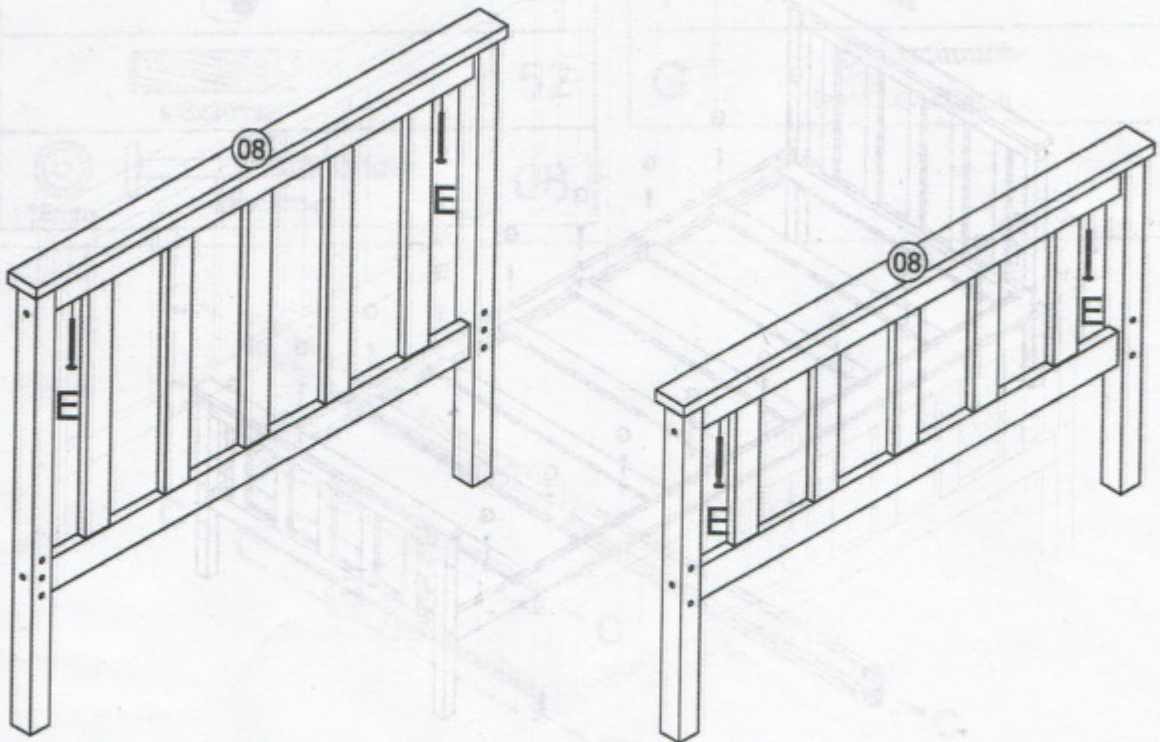


D



08

04



81



HARDWARE

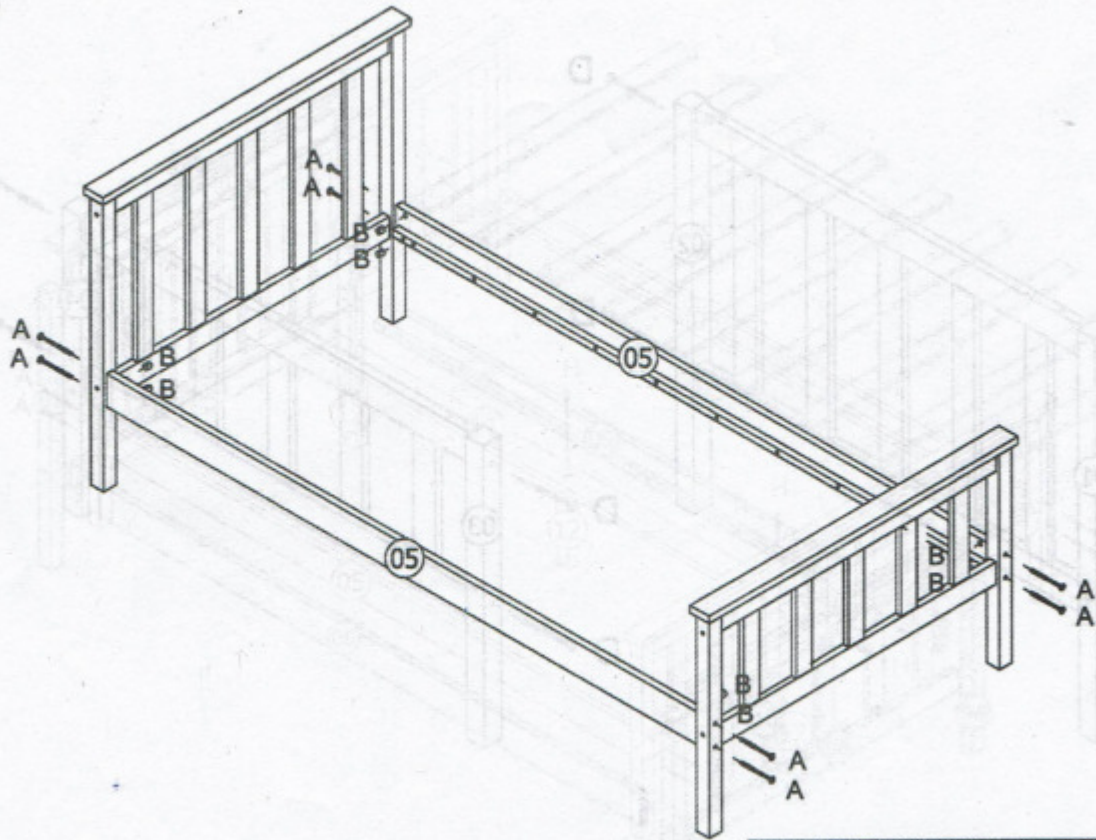
E






04

05

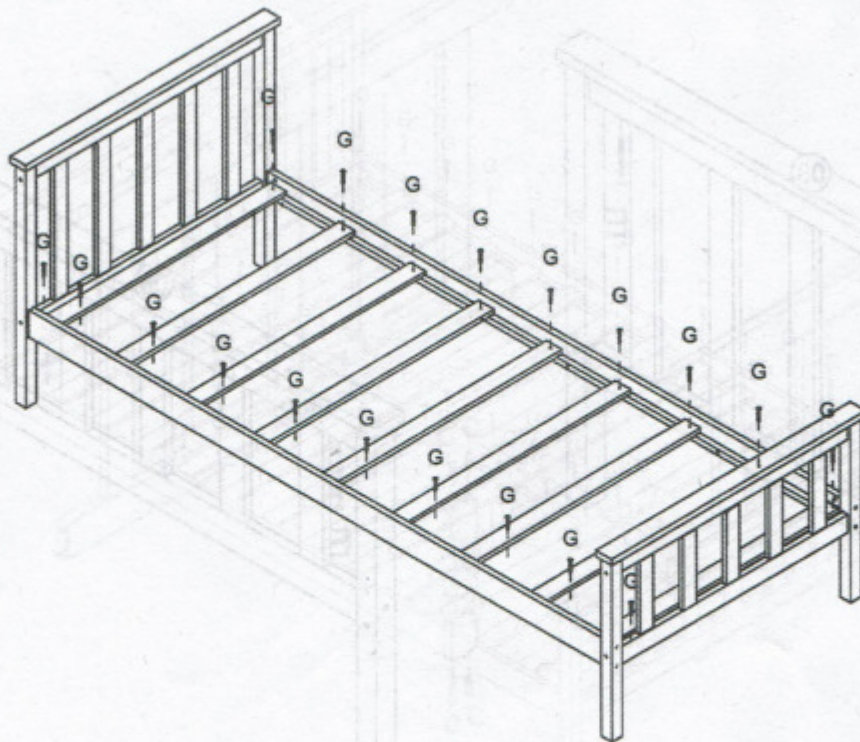
80

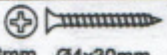


A	 15mm	 M6x70mm	08
B			08

06

40



G	 8mm Ø4x30mm	18
---	---------------------------------------------------------------------------------------------------	----